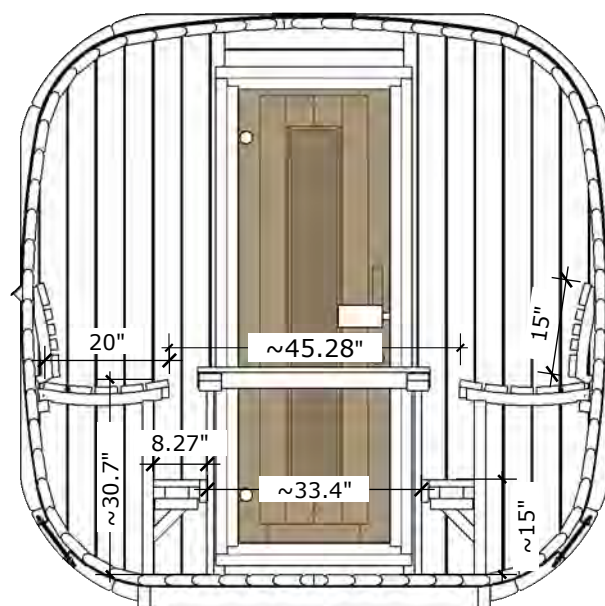
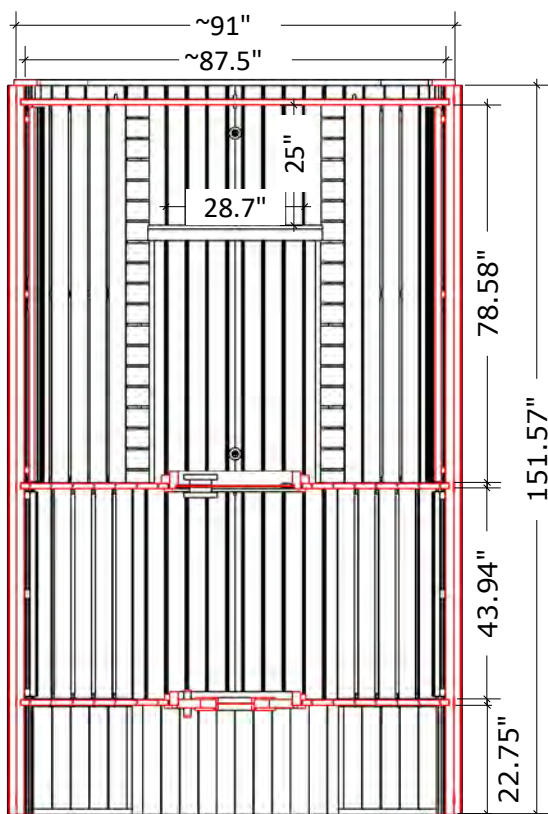
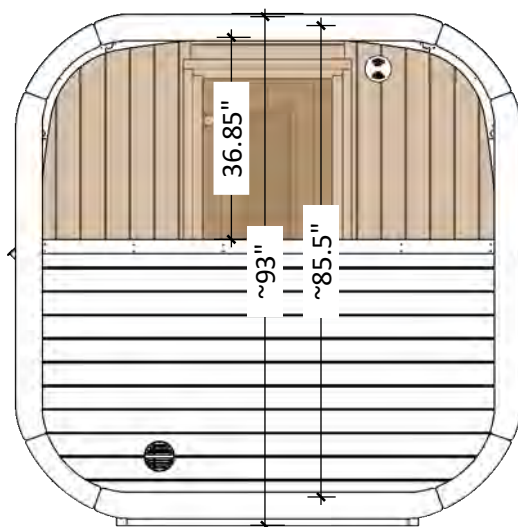
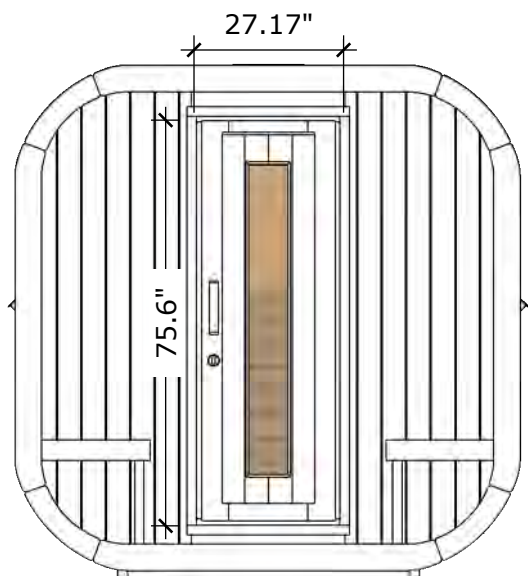
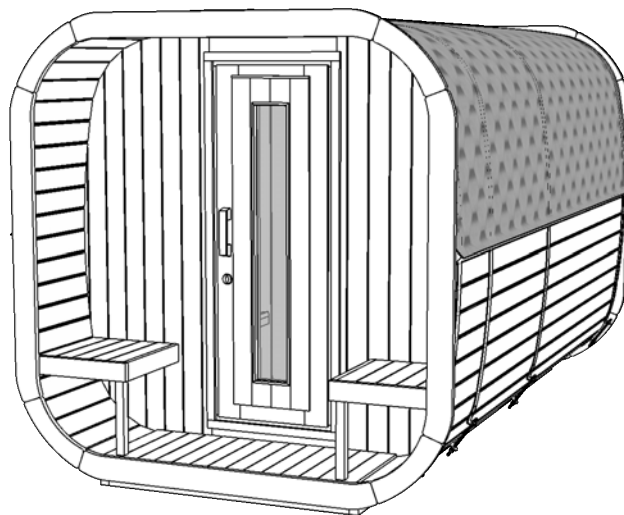
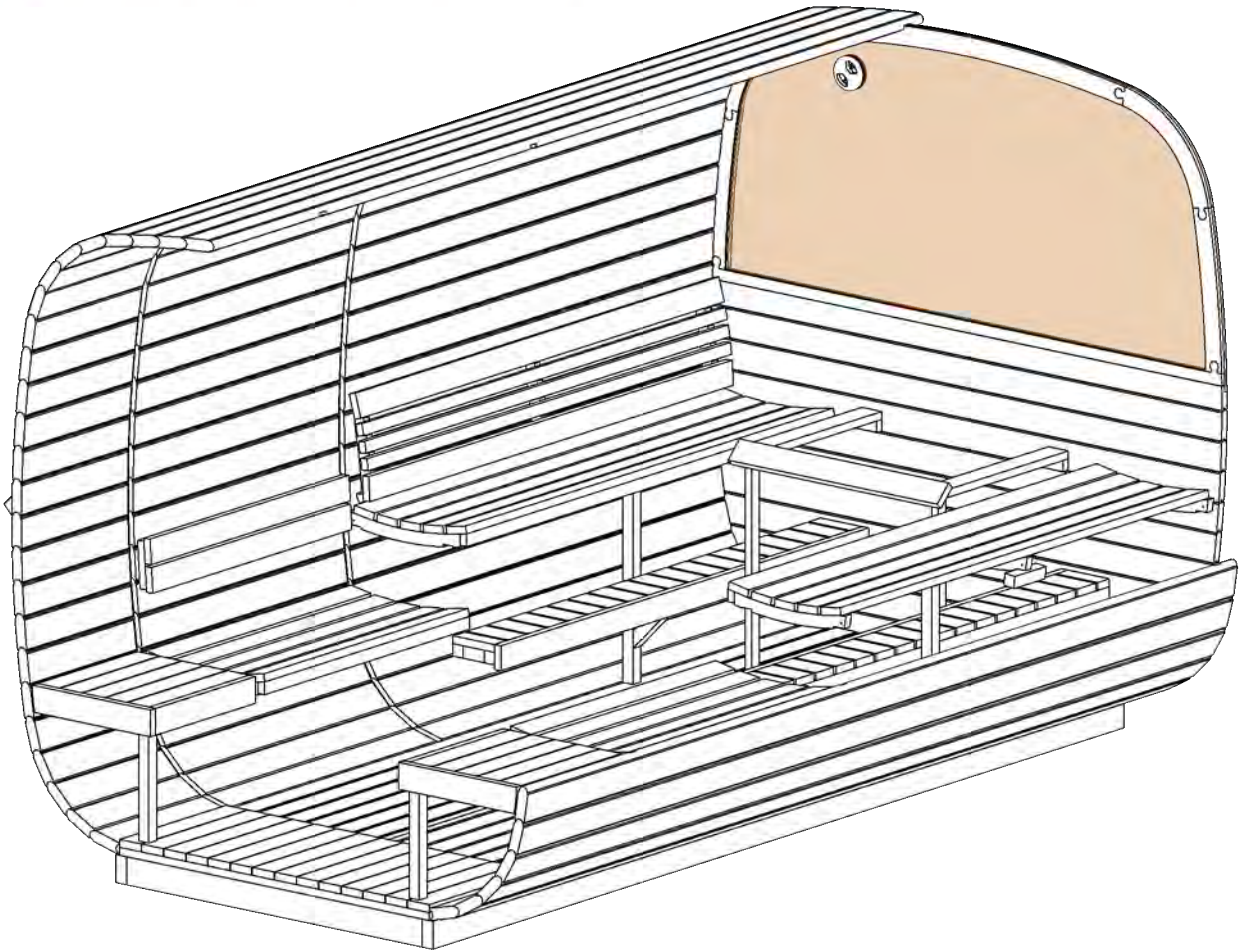


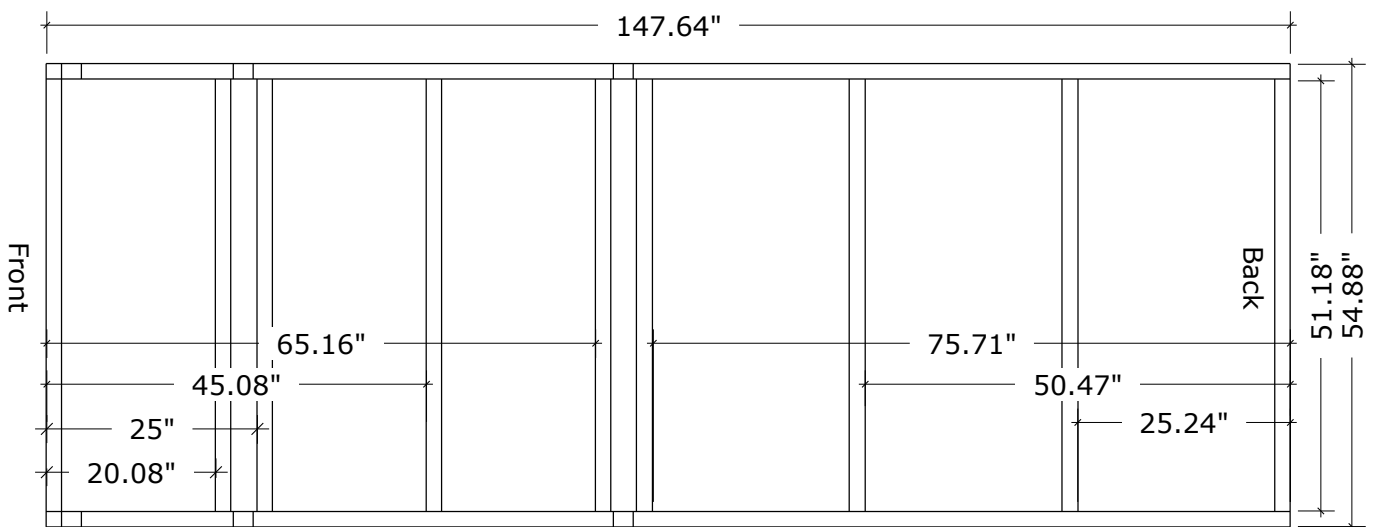


Cube Luxury Series CL12GCP  
Outdoor Sauna 152D" x 91W" x 93H"



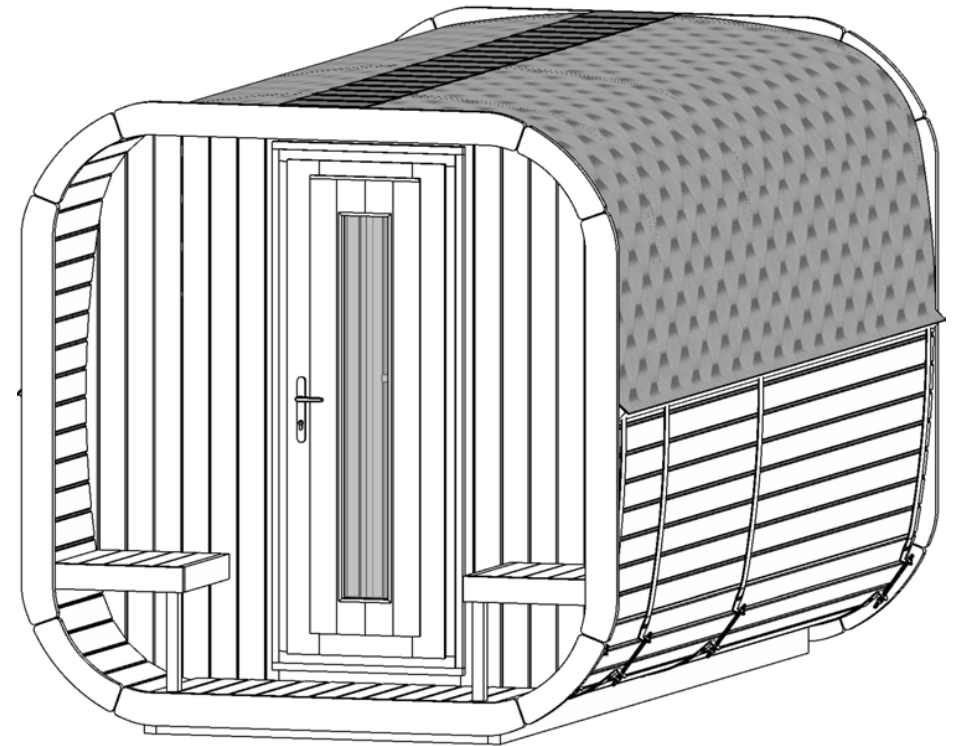
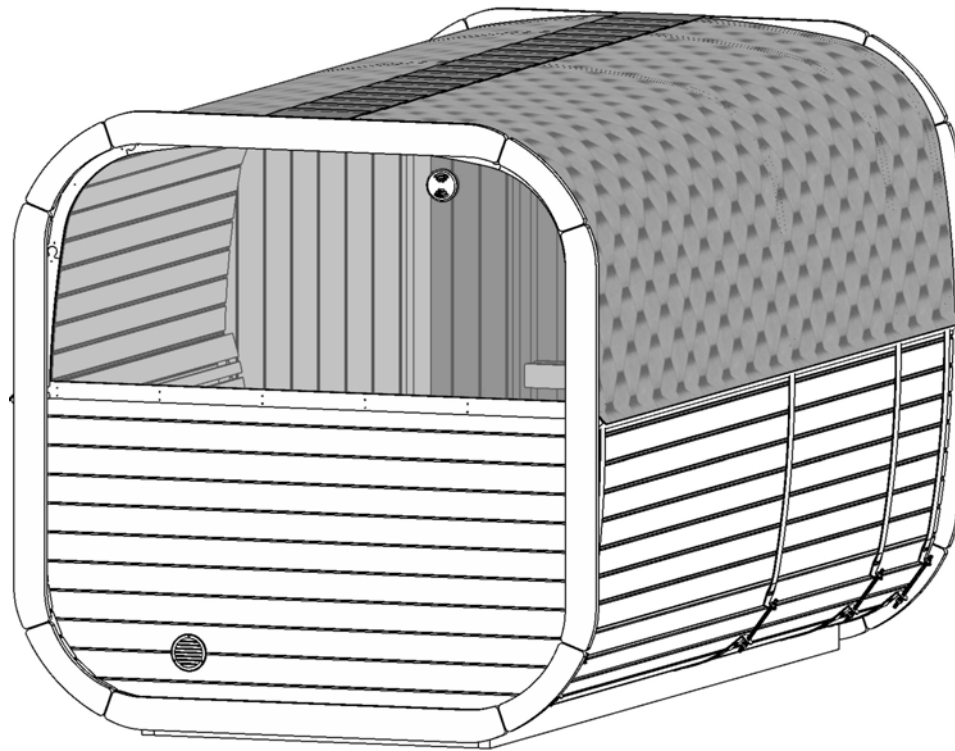


**Base frame**





Cube Luxury Series CL12GCP  
Outdoor Sauna 152D" x 91W" x 93H"



Note: Please read manual before construction

Rev: 1.1\_07/2025

## INDEX

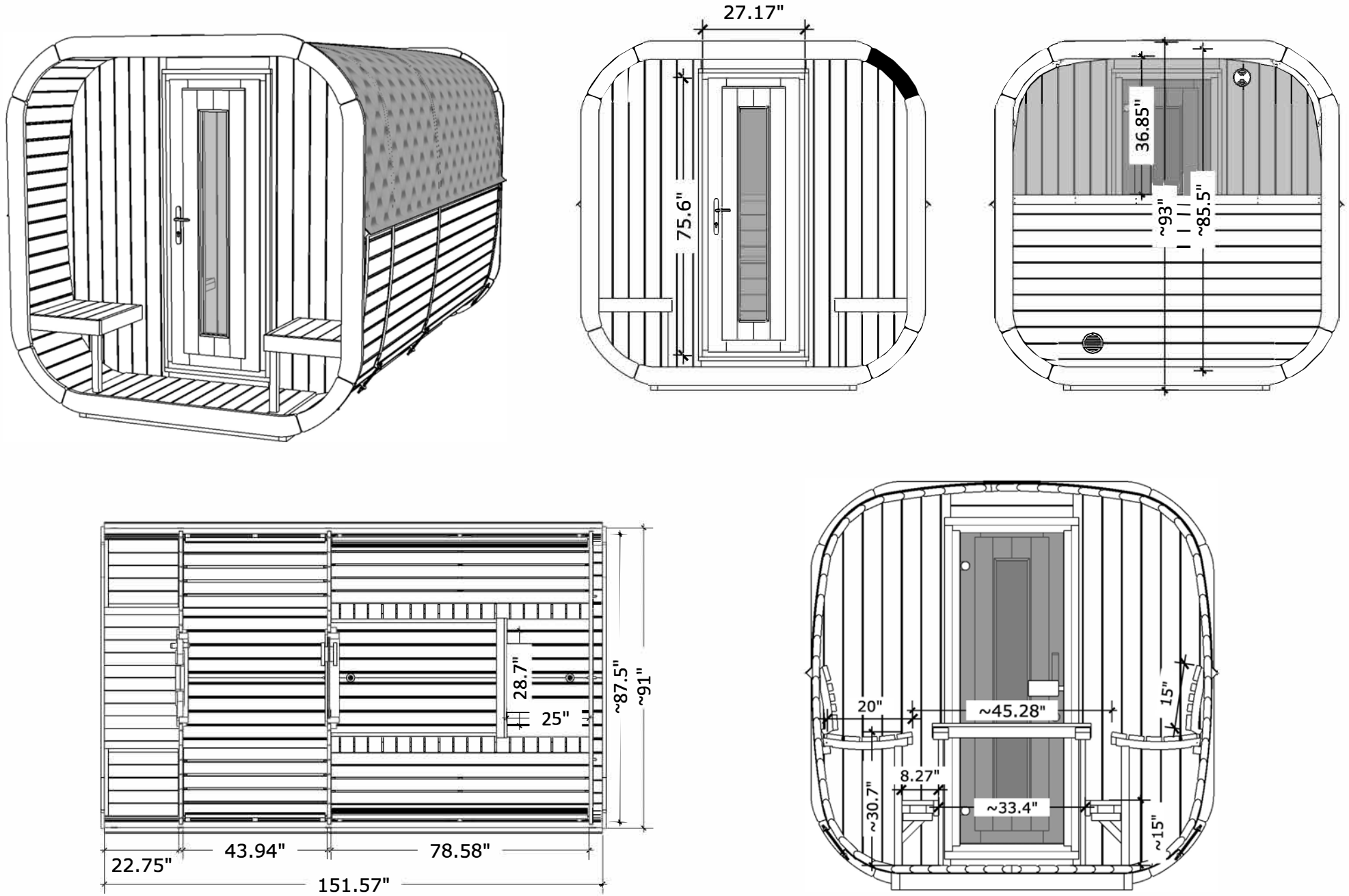
- 1. — 1.1 Sauna Room Dimensions
- 1.2 Sauna Base Dimensions

- 2. — 2.1 Tools

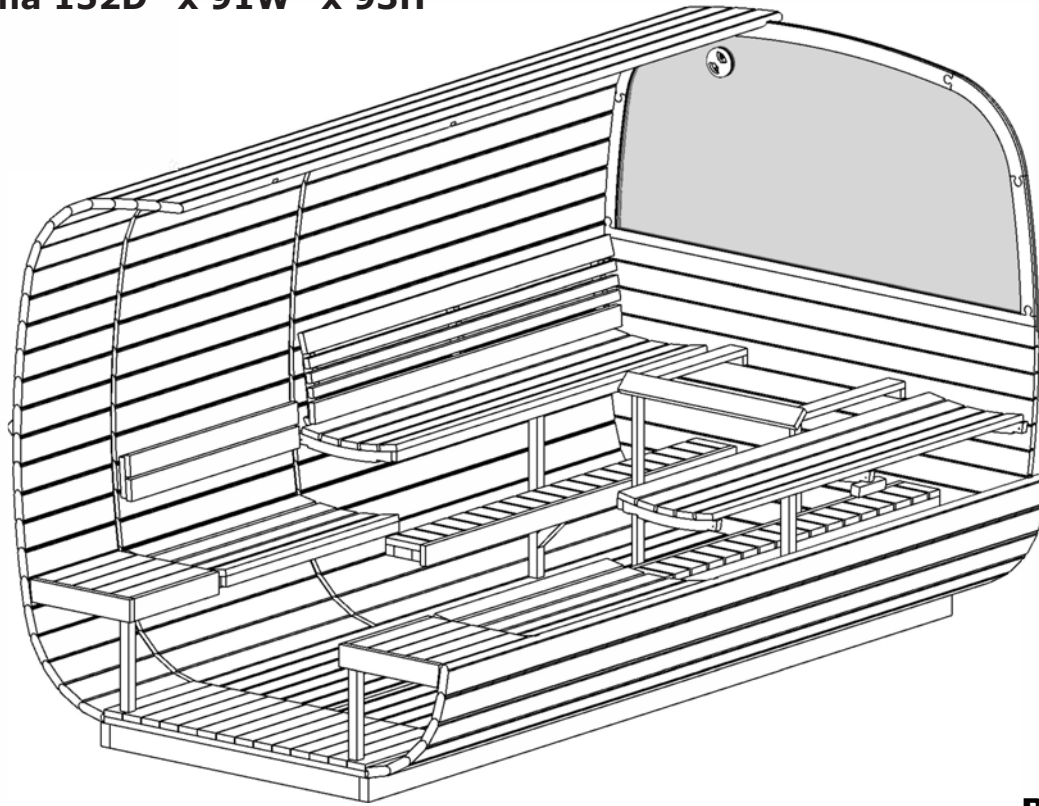
- 3. — 3.1 Details list 1
- 3.2 Details list 2
- 3.3 Details list 3
- 3.4 Details list 4
- 3.5 Details list 5
- 3.6 Details list 6
- 3.7 Details list 7

- 4. — 4.0 Exterior
- 4.1 Base frame
- 4.2 Floor staves (middle)
- 4.3 Floor staves, drainage
- 4.4 Back wall assembly
- 4.5 Back wall installation + middle wall assembly
- 4.6 Middle wall installation
- 4.7 Front wall assembly
- 4.8 Front wall installation
- 4.9 Lower wall staves
- 4.10 Higher wall staves
- 4.11 Top staves
- 4.12 Terrace + Band installation 1
- 4.13 Band installation 2
- 4.14 Brackets removal + vent
- 4.15 Interior
- 4.16 Saunaroom benches installation
- 4.17 Saunaroom benches + backrest installation
- 4.18 Saunaroom step installation
- 4.19 Heater guard installation
- 4.20 Dressing room benches + backrest installation
- 4.21 Terrace bench installation
- 4.22 Water diverter installation
- 4.23 Roof shingles underlay installation
- 4.24 Roof shingles installation
- 4.25 Endboards installation
- 4.26 Door handles installation
- Warranty & door info

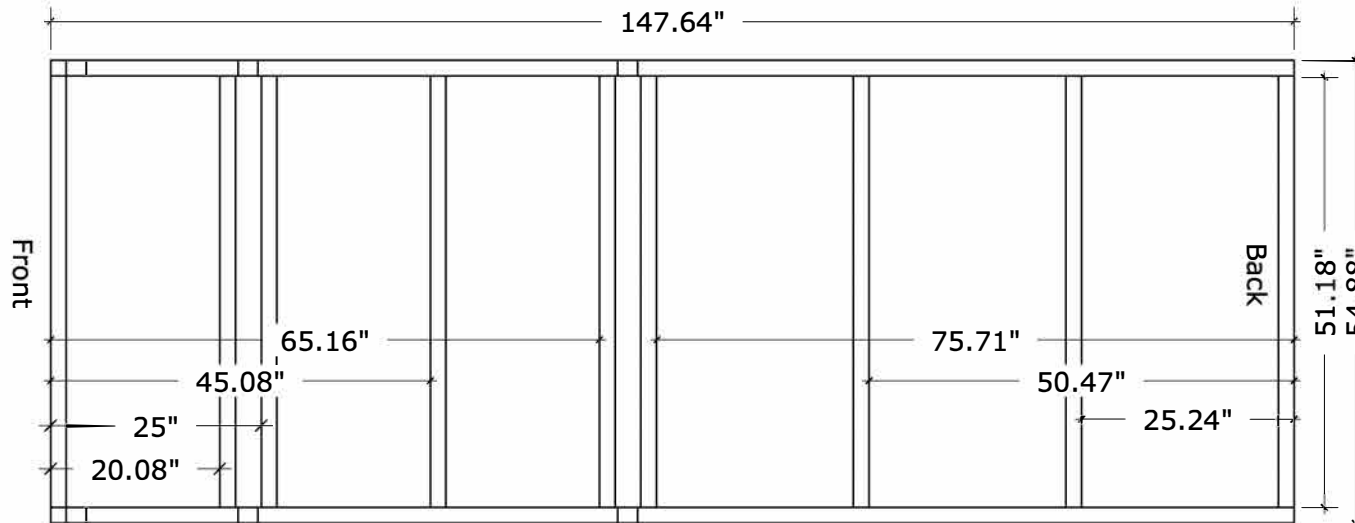
# CL12GCP Outdoor Sauna 152D" x 91W" x 93H"



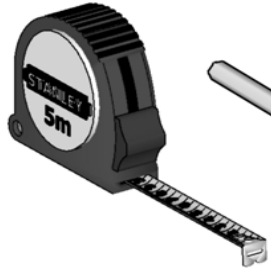
**CL12GCP Outdoor Sauna 152D" x 91W" x 93H"**



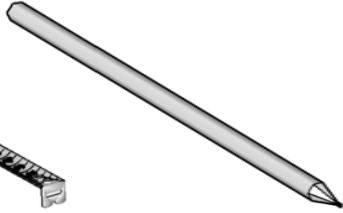
**Base frame**



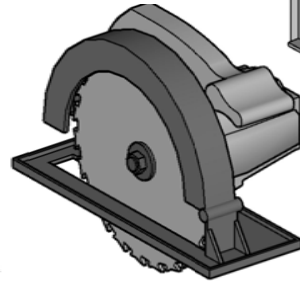
## Tools needed



MEASURING TAPE



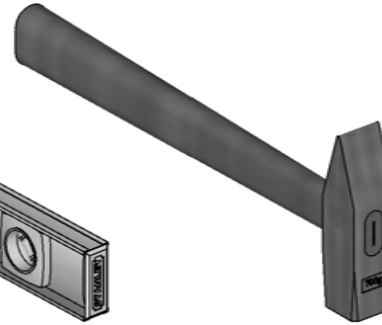
MARKER PEN



CIRCULAR SAW



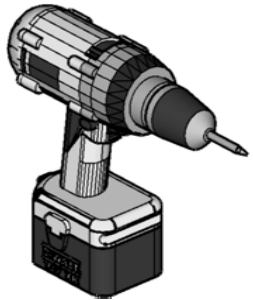
LEVEL



HAMMER



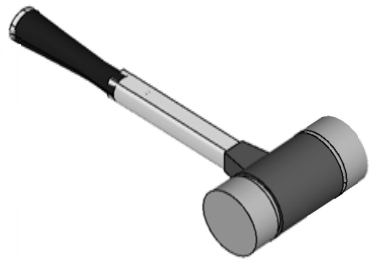
EXTRA HANDS



DRILL



UTILITY KNIFE



RUBBER Mallet



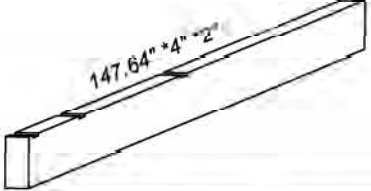



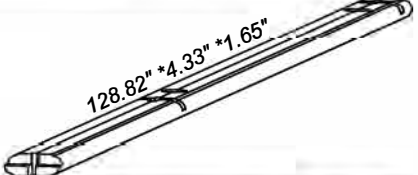
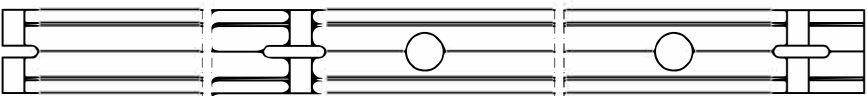
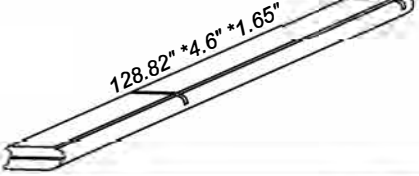

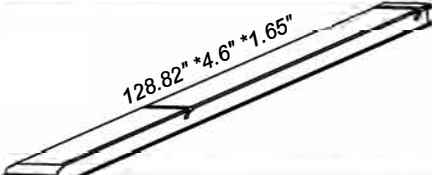

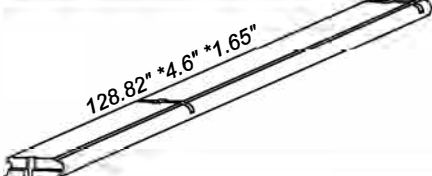

SCREWDRIVER (HEX4)



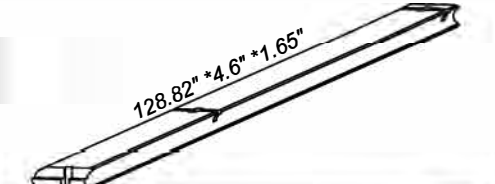
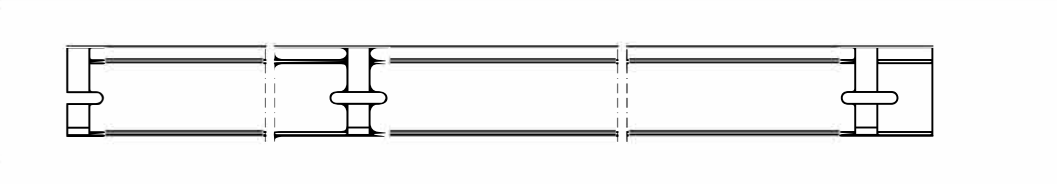
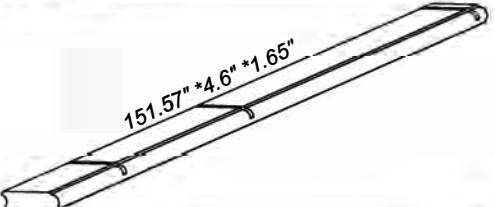
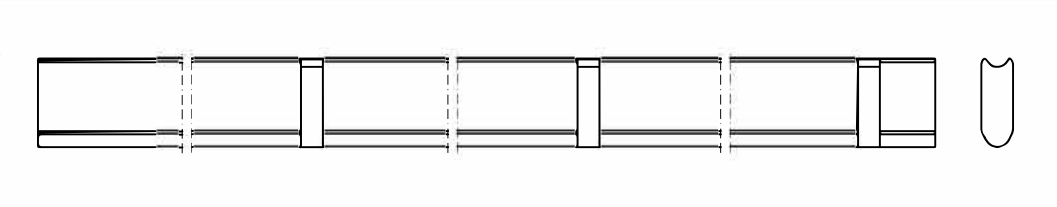
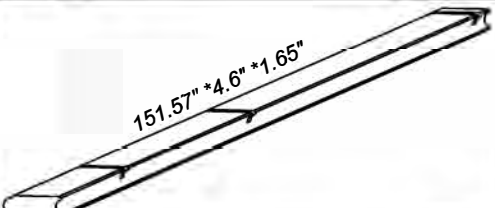
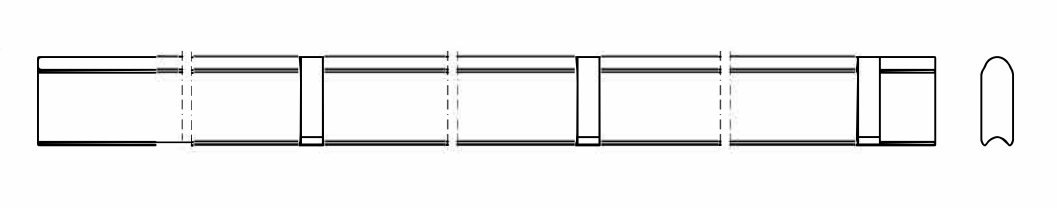
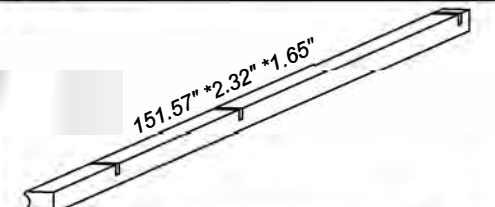
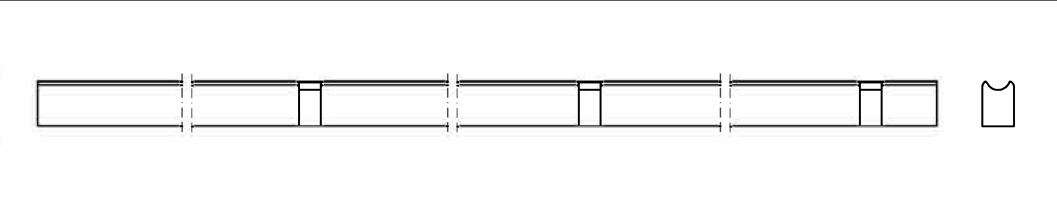
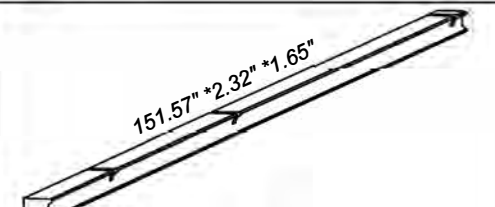
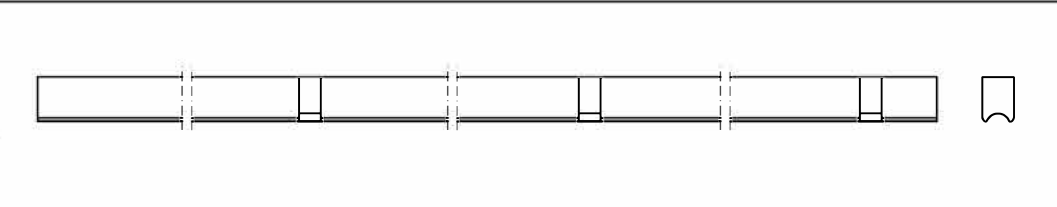
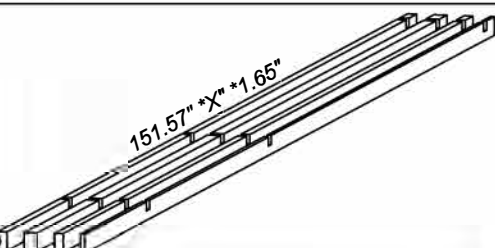
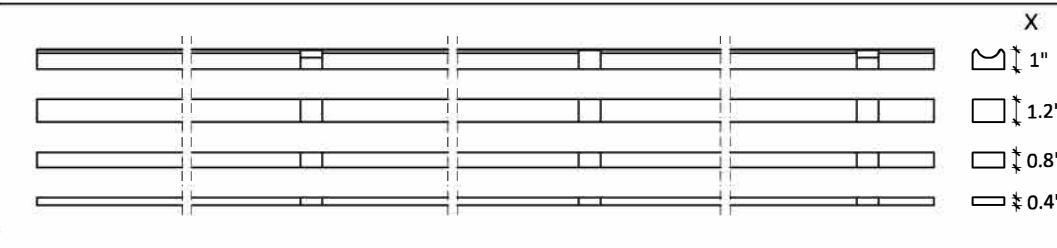
STAPLER+ STAPLES



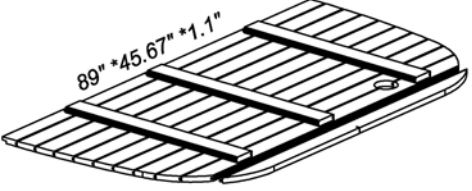
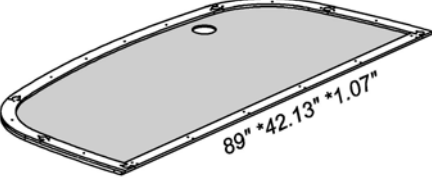
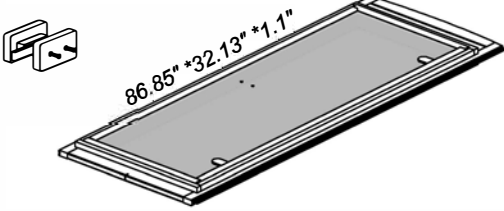
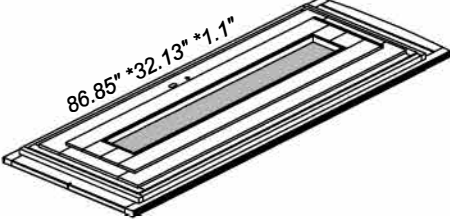
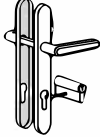
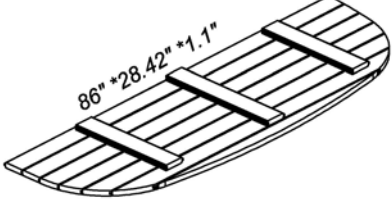
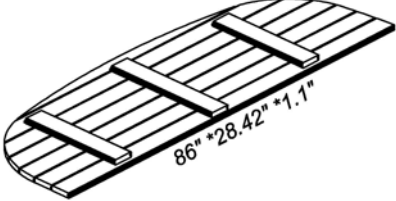
**CL12GCP Outdoor Sauna 152D" x 91W" x 93H" Details list 1/7**

<p><b>Part 1</b></p> <p><b>Article.</b> KSM100/3750X</p>	<p><b>x2</b></p> <p>PARMU</p>		
<p><b>Part 2</b></p> <p><b>Article.</b> KSM100/1300</p>	<p><b>x9</b></p> <p>PARMU</p>		
<p><b>Part 3</b></p> <p><b>Article.</b> 2-TSTL110/3272</p>	<p><b>x1</b></p>		
<p><b>Part 3a</b></p> <p><b>Article.</b> TSTL117/3272XP</p>	<p><b>x5</b></p>		
<p><b>Part 3b</b></p> <p><b>Article.</b> TSTL117/3272XV</p>	<p><b>x5</b></p>		
<p><b>Part 3a/H</b></p> <p><b>Article.</b> TSTL117/3272XP-01</p>	<p><b>x1</b></p>		

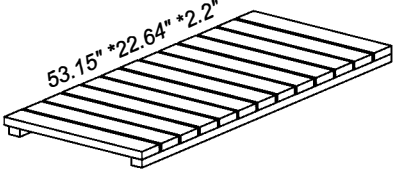
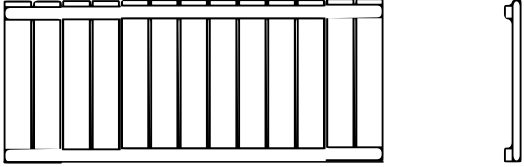
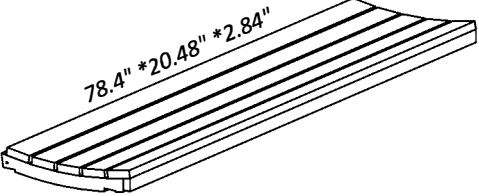
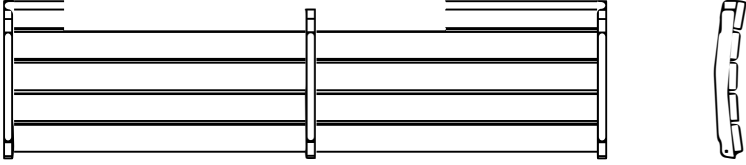
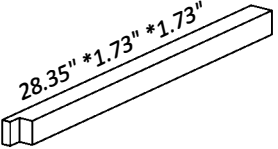
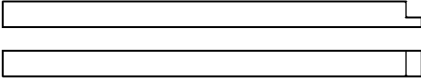
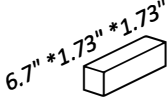
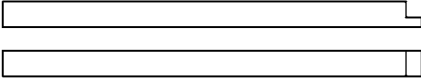
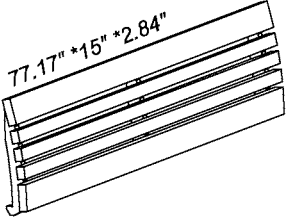
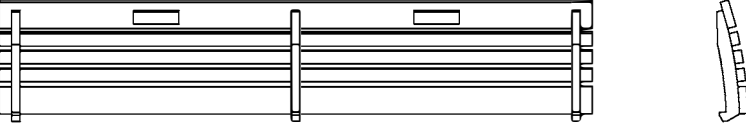
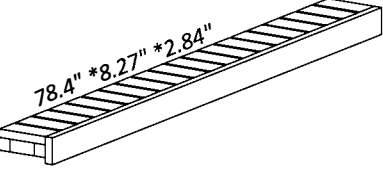

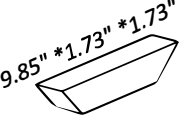
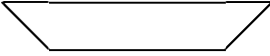
# CL12GCP Outdoor Sauna 152D" x 91W" x 93H" Details list 2/7

<p><b>Part 3b/H</b></p> <p><b>Article.</b> TSTL117/3272XV-01</p>	<p><b>x1</b></p>		
<p><b>Part 3c</b></p> <p><b>Article.</b> TSTL117/3850XP</p>	<p><b>x30</b></p>		
<p><b>Part 3d</b></p> <p><b>Article.</b> TSTL117/3850XV</p>	<p><b>x31</b></p>		
<p><b>Part 6a</b> Part 3 vastaspool</p> <p><b>Article.</b> TSTL59/3850XLP</p>	<p><b>x1</b></p>		
<p><b>Part 6b</b> Part 3 vastaspool</p> <p><b>Article.</b> TSTL59/3850XLV</p>	<p><b>x1</b></p>		
<p><b>Part 6c/d/e/f</b> Lõigata ühest STL-ist.</p> <p><b>Article.</b> 2-TSTL117/3850XL</p>	<p><b>x1</b></p>		

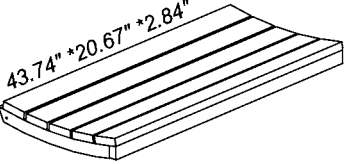
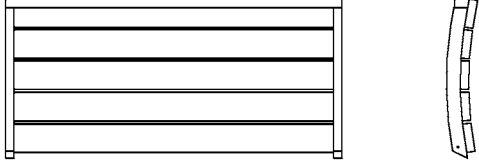
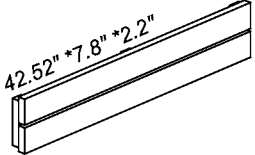
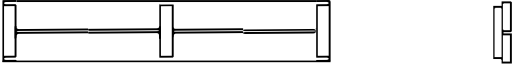
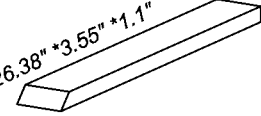

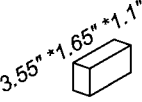
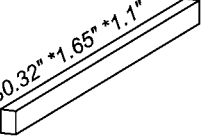
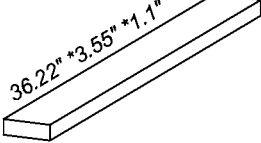
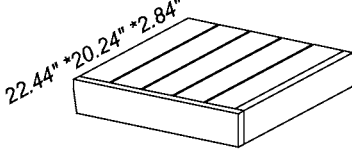
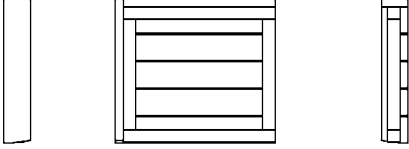
**CL12GCP Outdoor Sauna 152D" x 91W" x 93H" Details list 3/7**

<p><b>Part Y1</b></p> <p><b>Article.</b> 2-TIC26PK/28</p>	<p><b>x1</b></p>				
<p><b>Part Y2</b></p> <p><b>Article.</b> 2-IC26PK-PR12/15</p>	<p><b>x1</b></p> <p>PARMU</p>				
<p><b>Part Ta</b></p> <p><b>Article.</b> 2-TIC26PE/28K-02</p>	<p><b>x1</b></p>				
<p><b>Part Tb</b></p> <p><b>Article.</b> 2-TIC26PE/28K-01</p>	<p><b>x1</b></p>		<p><b>Part Lock</b></p> <p><b>Article.</b> D3-HAN</p>	<p><b>x1</b></p>	
<p><b>Part Sa</b></p> <p><b>Article.</b> 2-TIC26PE/28P-01</p>	<p><b>x2</b></p>				
<p><b>Part Sb</b></p> <p><b>Article.</b> 2-TIC26PE/28V-01</p>	<p><b>x2</b></p>				

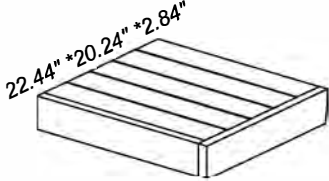
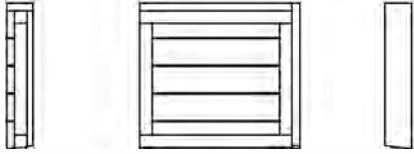
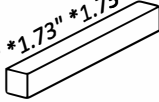
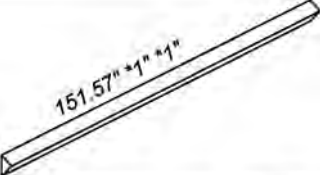

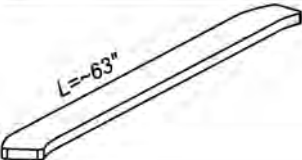






**CL12GCP Outdoor Sauna 152D" x 91W" x 93H" Details list 4/7**

<p><b>Part 4</b></p> <p><b>Article.</b> 2-KTE575/1350</p>	<p><b>x1</b></p> <p>PARMU</p>		
<p><b>DET 10</b></p> <p><b>Article.</b> 2-TLAKA520/1991</p>	<p><b>x2</b></p> <p>PARPR</p>		
<p><b>DET 10b</b></p> <p><b>Article.</b> KHP44/720X</p>	<p><b>x2</b></p> <p>PARPR</p>		
<p><b>DET 10c</b></p> <p><b>Article.</b> KHP44/170</p>	<p><b>x6</b></p> <p>PARPR</p>		
<p><b>DET 11</b></p> <p><b>Article.</b> 2-TSTKA380/1960</p>	<p><b>x2</b></p> <p>PARPR</p>		
<p><b>DET 12</b></p> <p><b>Article.</b> 2-TLA210/1991</p>	<p><b>x2</b></p> <p>PARPR</p>		
<p><b>DET 12a</b></p> <p><b>Article.</b> KHP44/250XP</p>	<p><b>x2</b></p> <p>PARPR</p>		

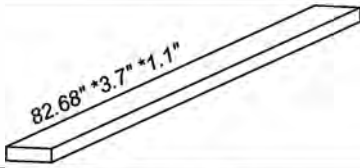

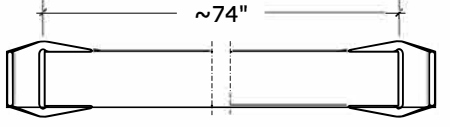

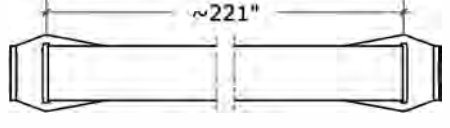
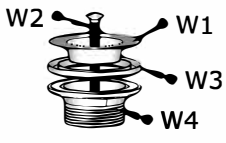
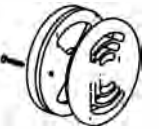

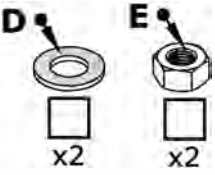

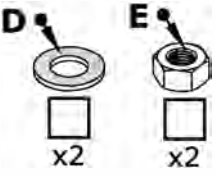
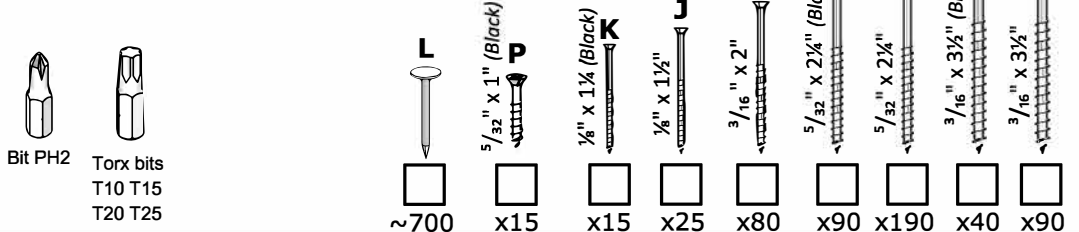
**CL12GCP Outdoor Sauna 152D" x 91W" x 93H" Details list 5/7**

<p><b>Part 13</b></p> <p><b>Article.</b> 2-TLAKA525/1111</p>	<p><b>x2</b></p> <p>PARPR</p>		
<p><b>Part 14</b></p> <p><b>Article.</b> 2-TST198/1080</p>	<p><b>x2</b></p>		
<p><b>DET 15a</b></p> <p><b>Article.</b> TLAV90/670XP</p>	<p><b>x2</b></p>		
<p><b>DET 15b</b></p> <p><b>Article.</b> TLAV42/90</p>	<p><b>x2</b></p>		
<p><b>DET 15c</b></p> <p><b>Article.</b> TLAV42/770</p>	<p><b>x2</b></p>		
<p><b>DET 15d</b></p> <p><b>Article.</b> TLAV90/920</p>	<p><b>x1</b></p>		
<p><b>DET 24b</b></p> <p><b>Article.</b> 2-KTE514/570V</p>	<p><b>x1</b></p> <p>PARMU</p>		

**CL12GCP Outdoor Sauna 152D" x 91W" x 93H" Details list 6/7**

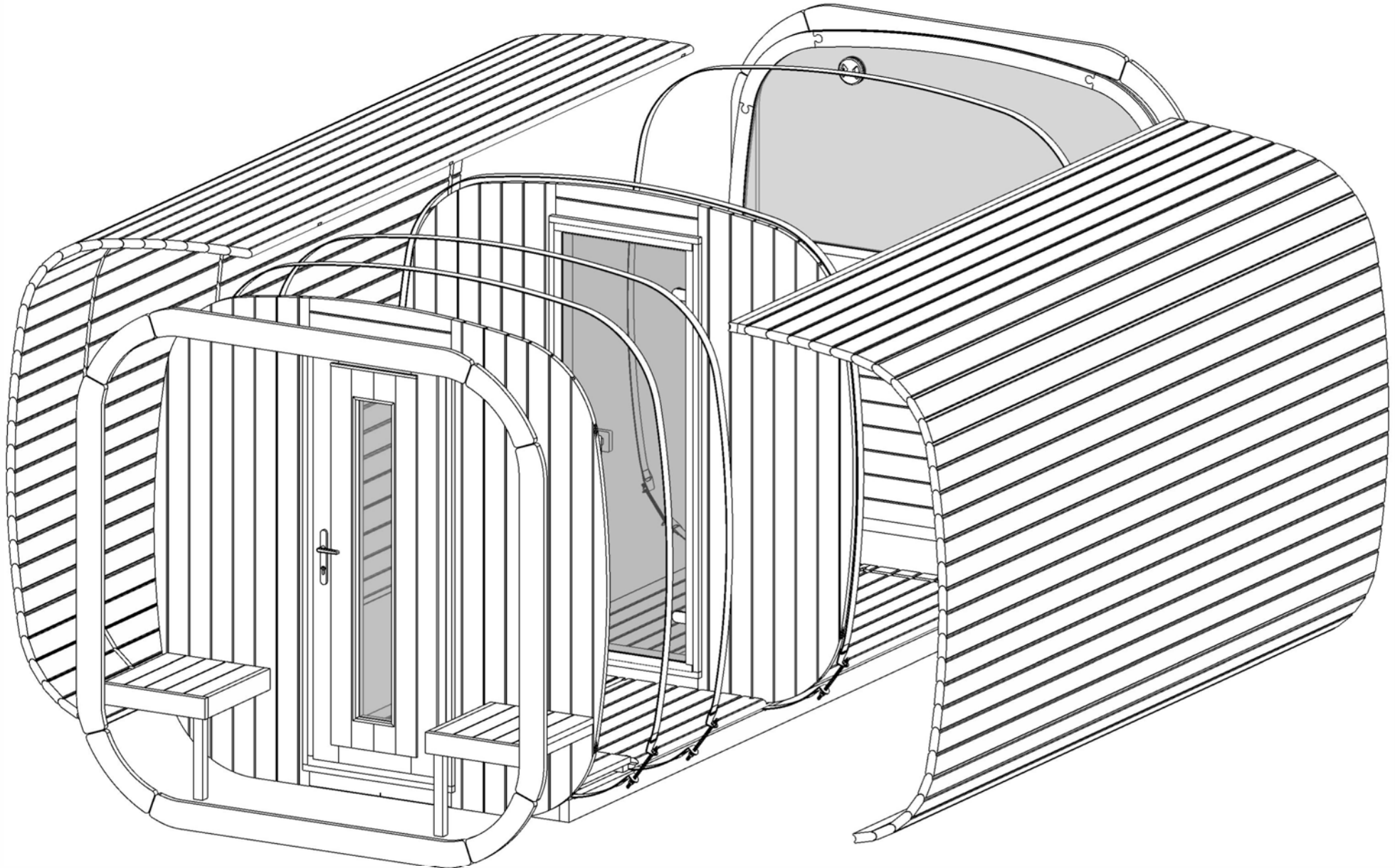
<p><b>Article.</b> 2-KTE514/570P</p>	<p><b>x1</b></p>	 <p>22.44" * 20.24" * 2.84"</p>	
<p><b>DET 24c</b></p> <p><b>Article.</b> KHP44/395</p>	<p><b>x2</b></p>	 <p>15.55" * 1.73" * 1.73"</p>	
<p><b>DET 22</b></p> <p><b>Article.</b> TSTL50/3850X</p>	<p><b>x2</b></p>	 <p>151.57" * 1" * 1"</p>	
<p><b>DET 25a</b></p> <p><b>Article.</b> OL-IC26-01</p>	<p><b>x8</b></p>	 <p>L=63"</p>	
<p><b>DET 25b</b></p> <p><b>Article.</b> OL-IC26-02</p>	<p><b>x8</b></p>	 <p>L=17"</p>	
<p><b>Underlay felt</b></p> <p><b>Article.</b> KATAL</p>	<p><b>65` 7"</b></p>		
<p><b>DET N</b></p> <p><b>Article.</b> KAT-HAR-MUST</p>	<p><b>x15</b></p>		
<p><b>DET O</b></p> <p><b>Article.</b> KAT-SIN-MUST</p>	<p><b>x122</b></p>		

**CL12GCP Outdoor Sauna 152D" x 91W" x 93H" Details list 7/7**

<p><b>DET U1</b></p> <p><b>Article.</b> KTL94/2100</p>	<p><b>x3</b></p>		
<p><b>DET A1</b></p> <p><b>Article.</b> 2-VITS1880-KLZN</p>	<p><b>x4</b></p>		
<p><b>DET A2</b></p> <p><b>Article.</b> 2-VITS5600-KLZN</p>	<p><b>x4</b></p>		
<p><b>DET W</b></p> <p><b>Article.</b> MU-TRAPP</p>	<p><b>x2</b> kmpl</p>		
<p><b>DET Z</b></p> <p><b>Article.</b> MU-VENT-VIN</p>	<p><b>x1</b></p> <p>PARMU</p>		
<p><b>DET F</b></p> <p><b>Article.</b> MU-VENT-ZN-MUS</p>	<p><b>x2</b></p>		
<p><b>Article.</b> KI-KERL-12-RV1</p>	<p><b>x8</b></p>		<p><b>Article.</b> KI-USA-ICO-385+M</p>
	<p><b>x1</b></p>		

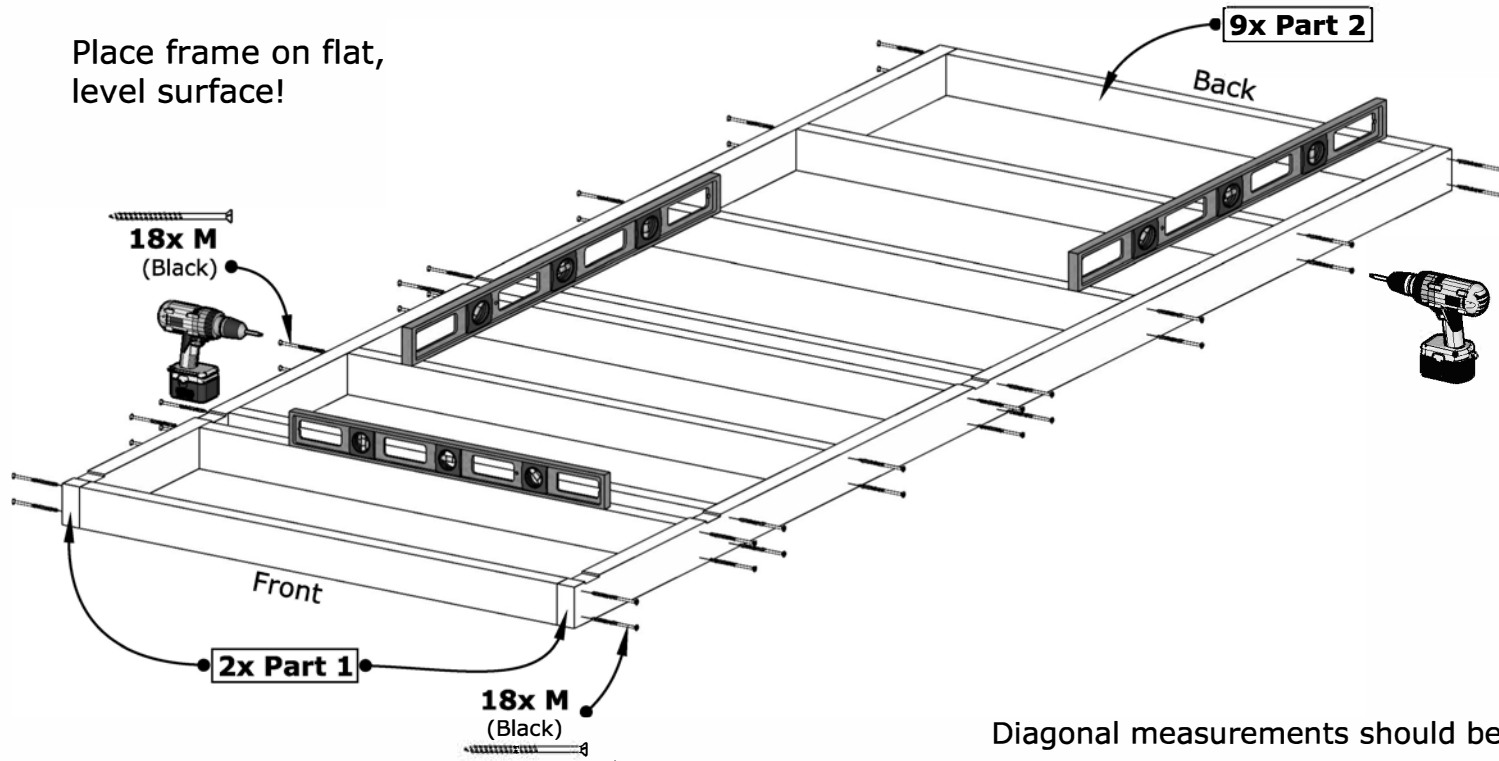
**CL12GCP Outdoor Sauna 152D" x 91W" x 93H"**

**Exterior.**

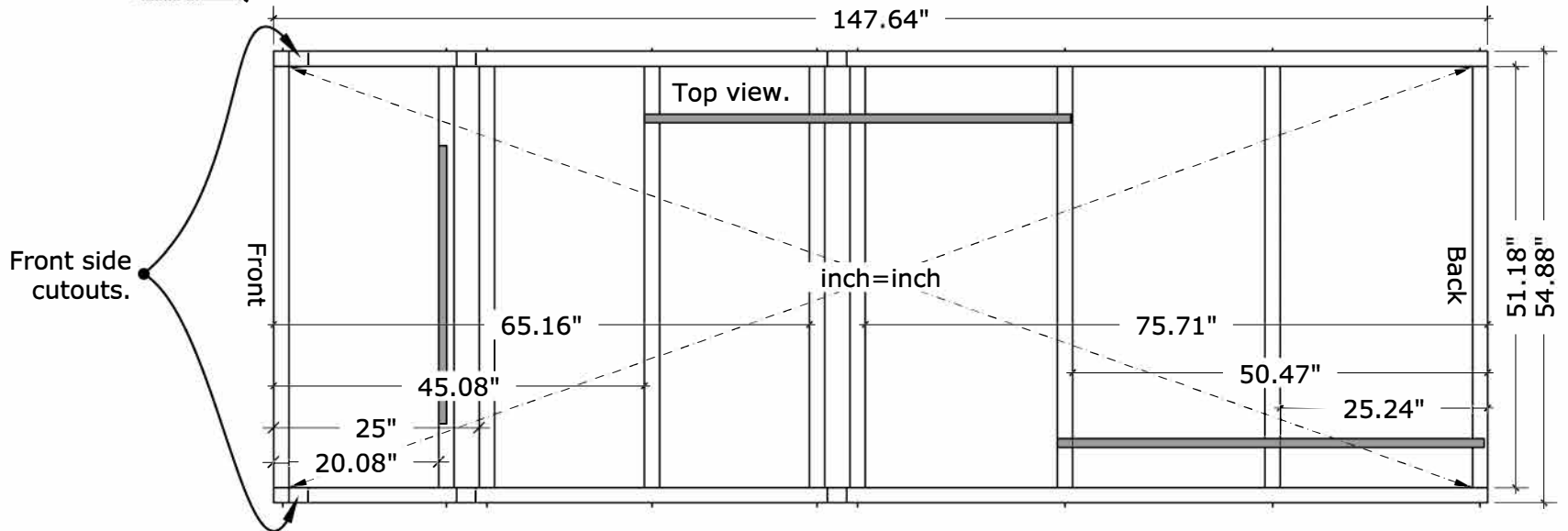


# CL12GCP Outdoor Sauna 152D" x 91W" x 93H"

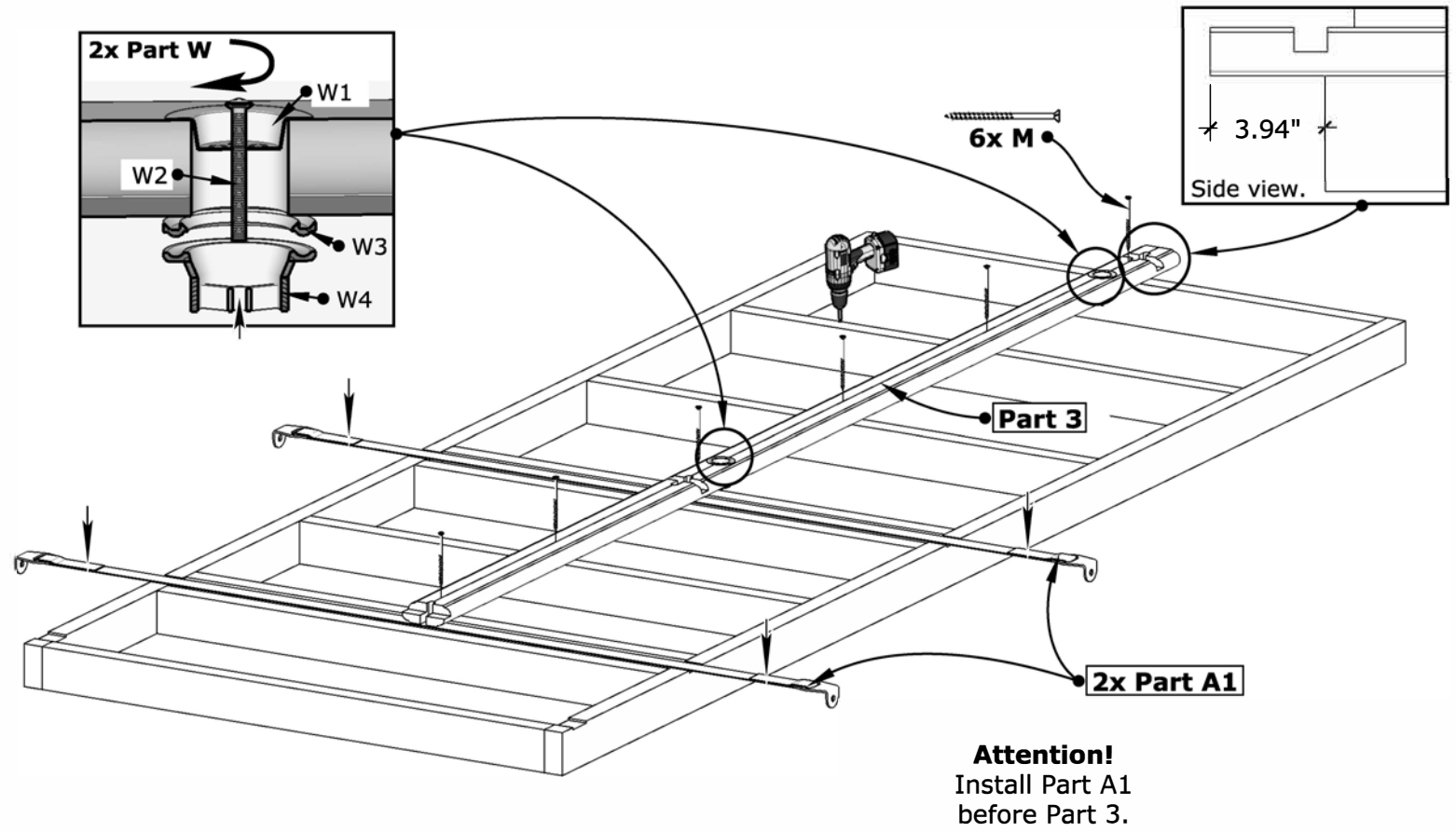
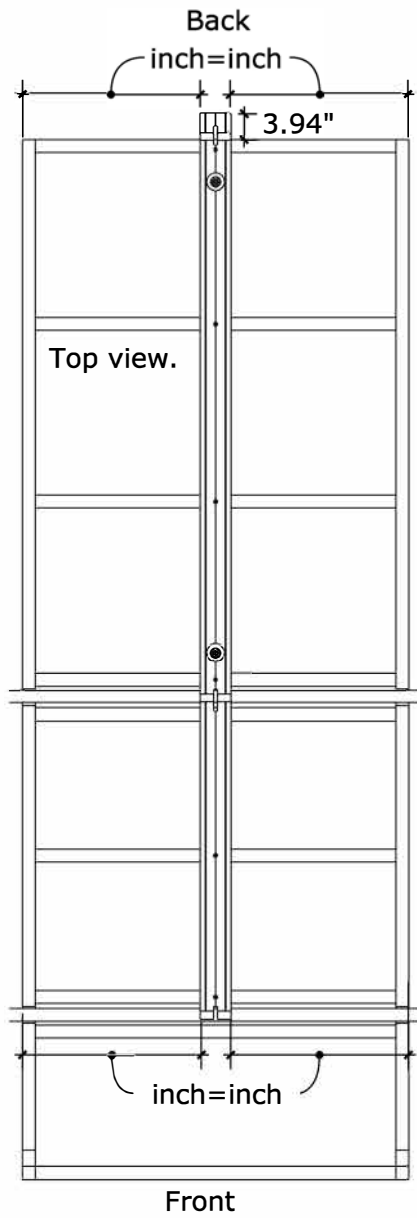
Place frame on flat, level surface!



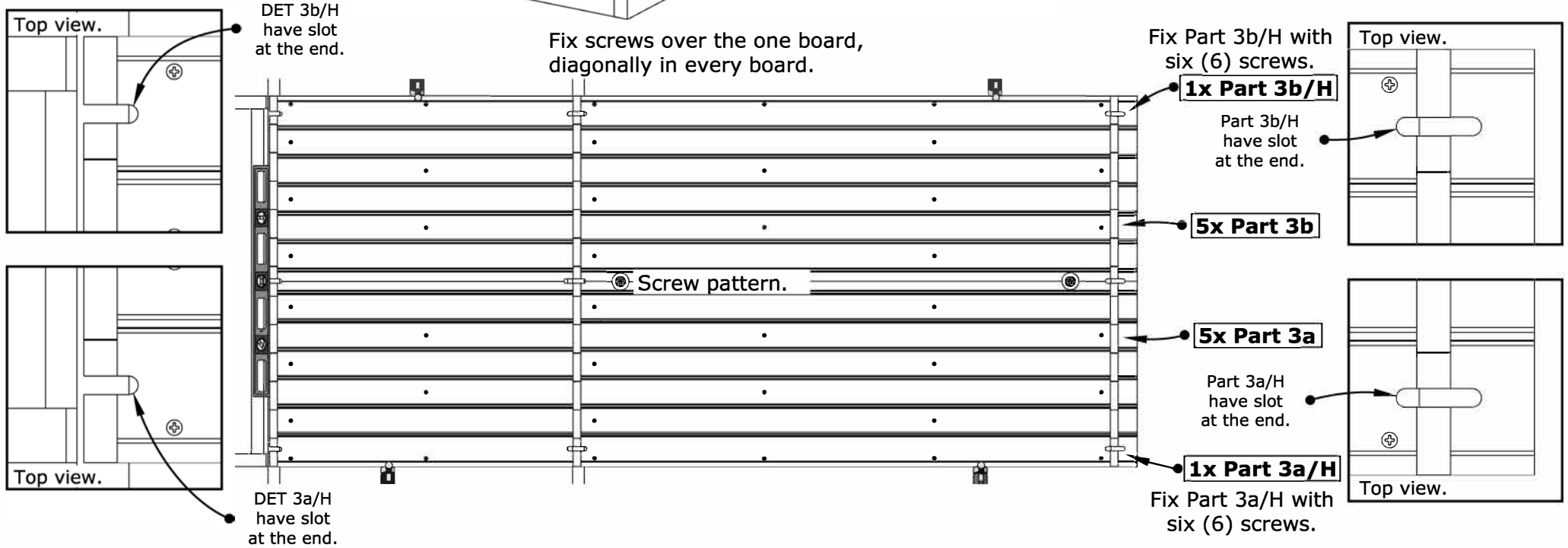
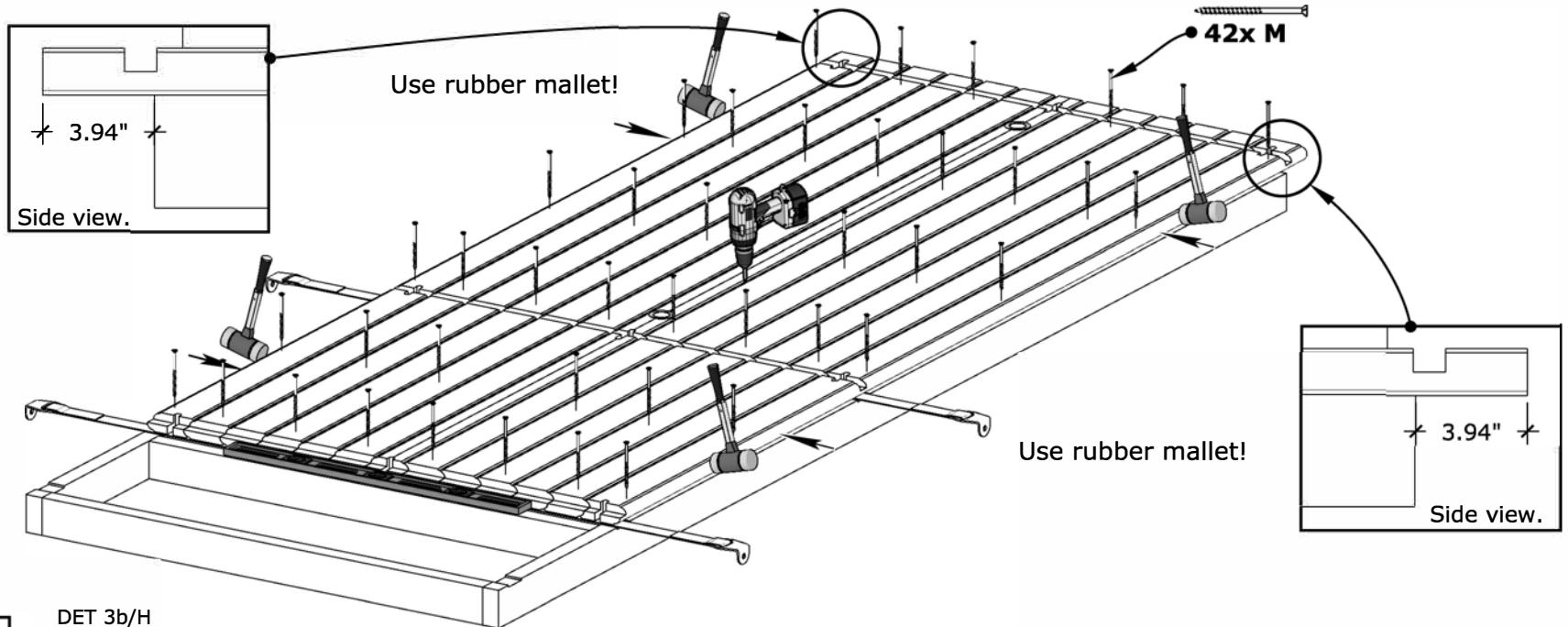
Diagonal measurements should be equal!



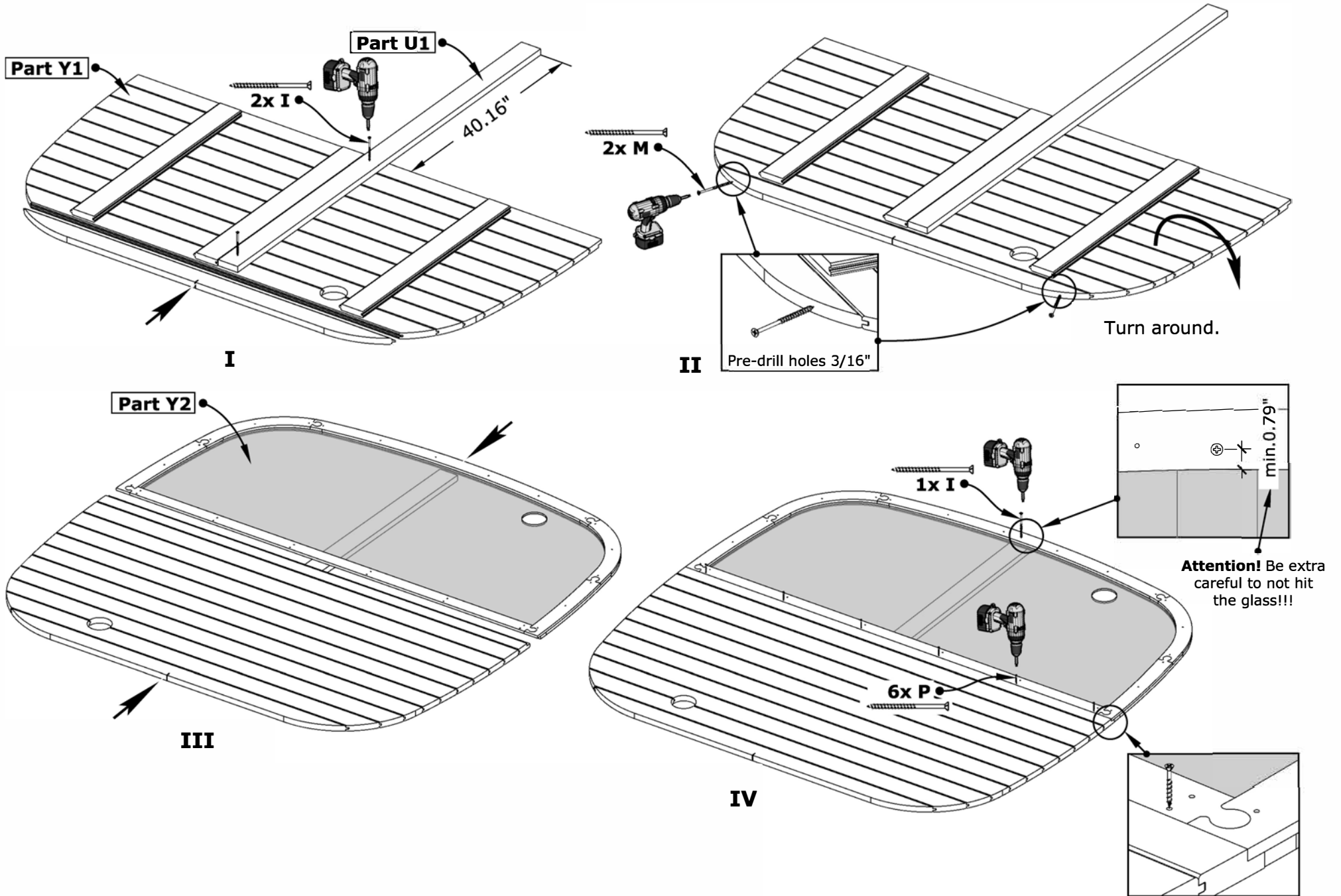
# CL12GCP Outdoor Sauna 152D" x 91W" x 93H"



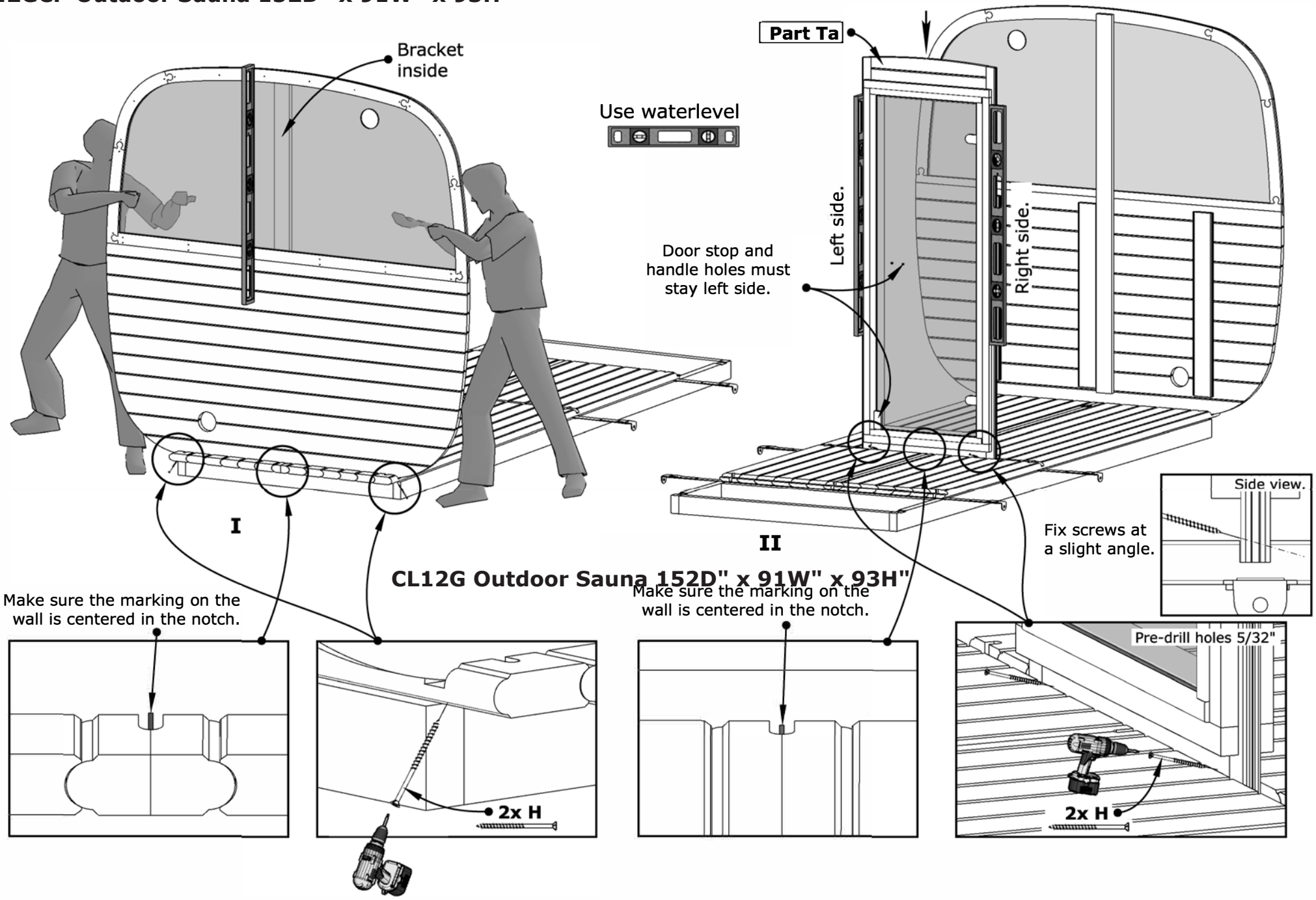
# CL12GCP Outdoor Sauna 152D" x 91W" x 93H"



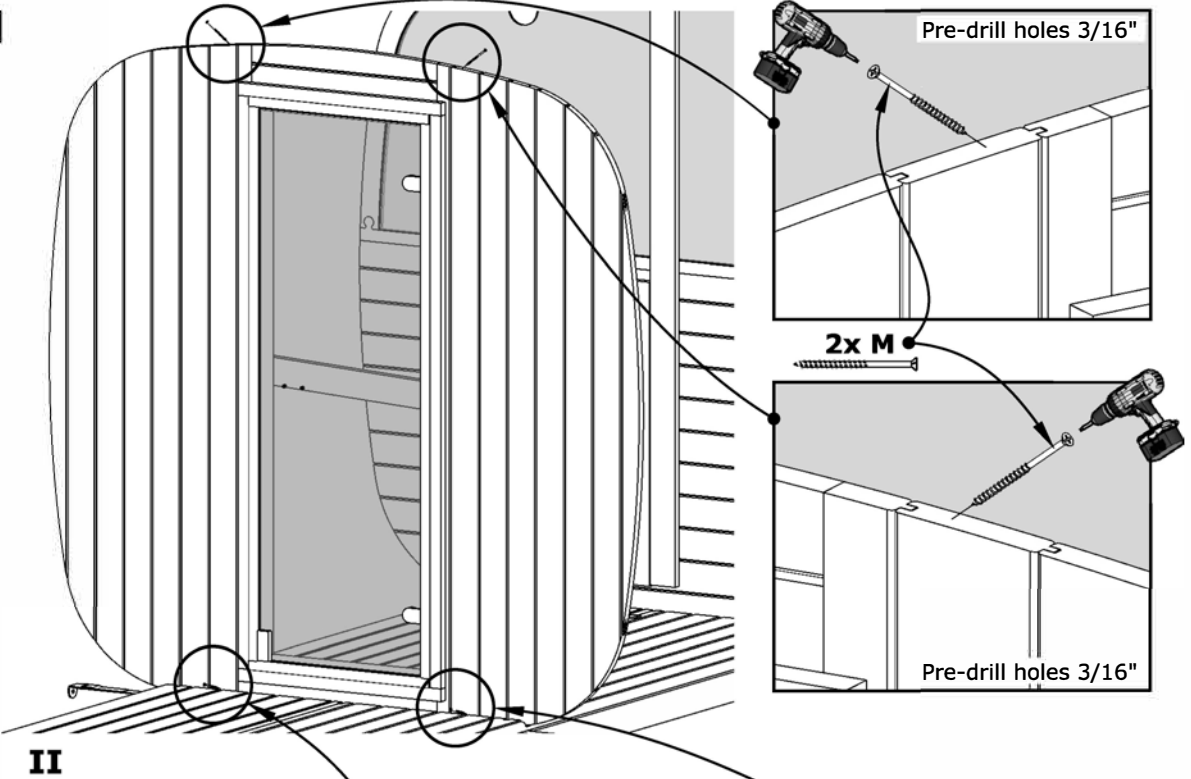
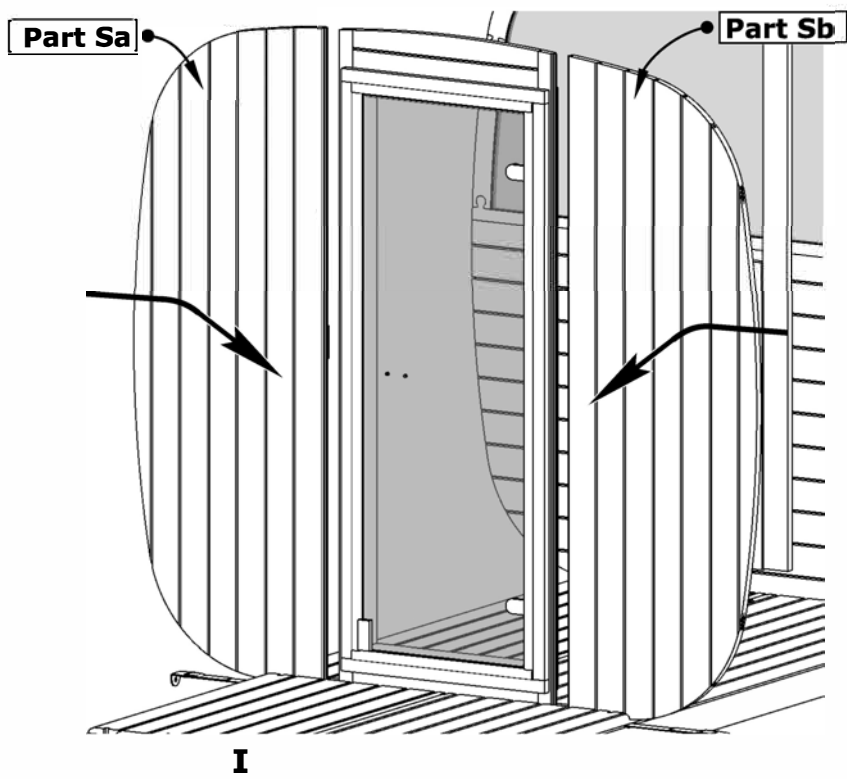
# CL12GCP Outdoor Sauna 152D" x 91W" x 93H"



# CL12GCP Outdoor Sauna 152D" x 91W" x 93H"

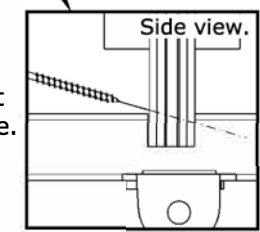
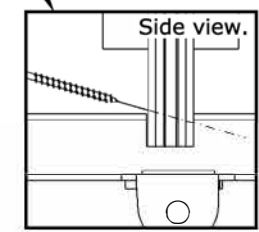
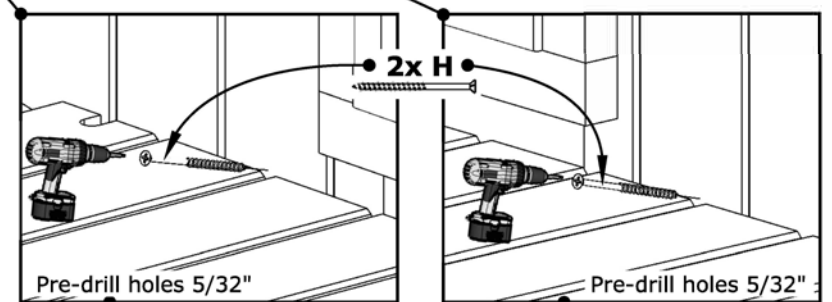
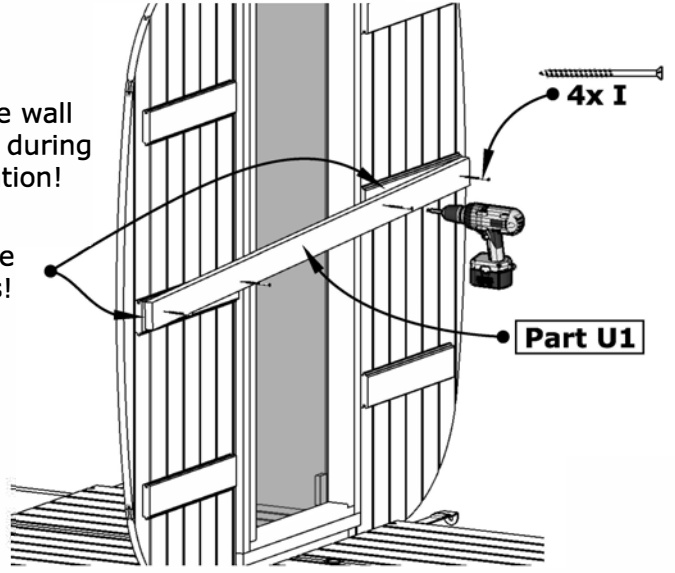


# CL12GCP Outdoor Sauna 152D" x 91W" x 93H"



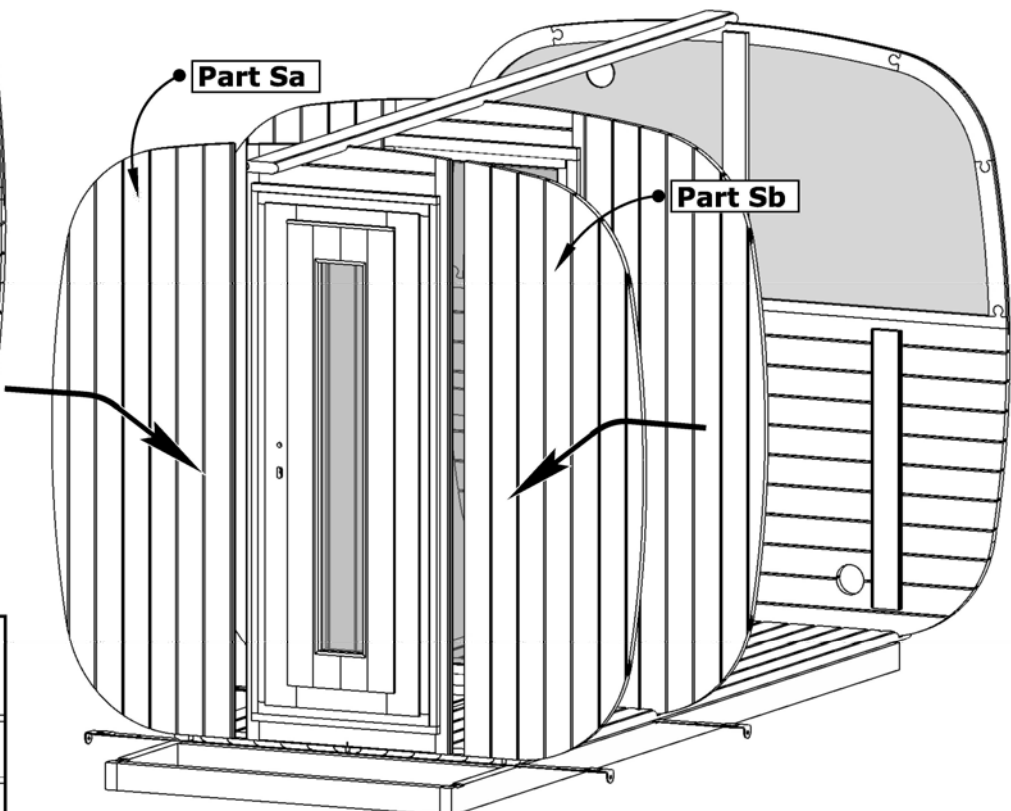
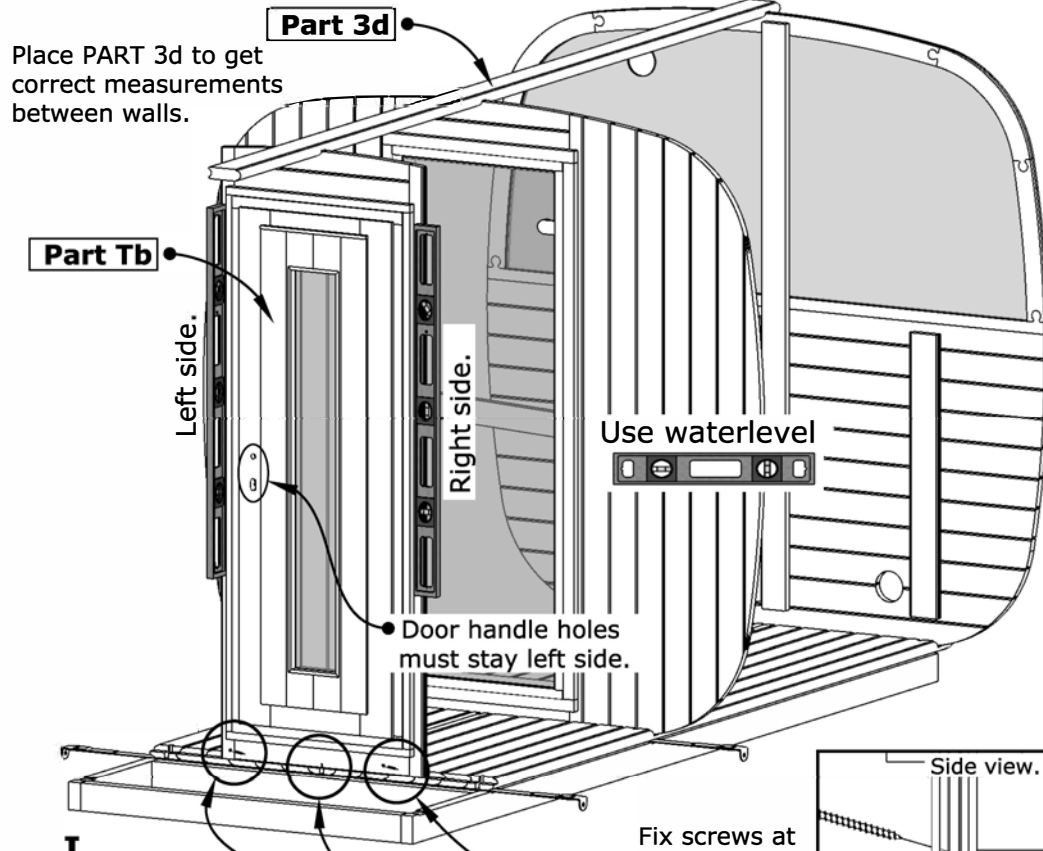
Fix PART U1 to make wall more rigid and stable during wall staves installation!

Fasten Part U1 to the wall middle brackets!

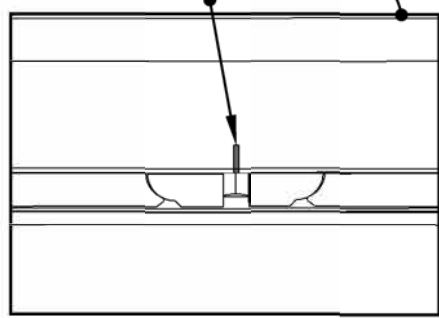


Fix screws at a slight angle.

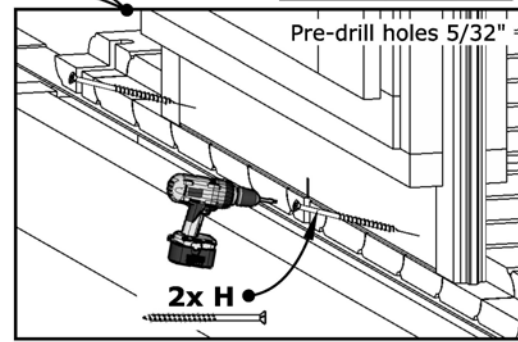
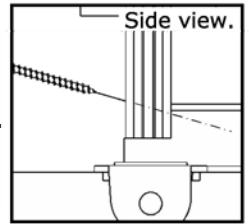
# CL12GCP Outdoor Sauna 152D" x 91W" x 93H"



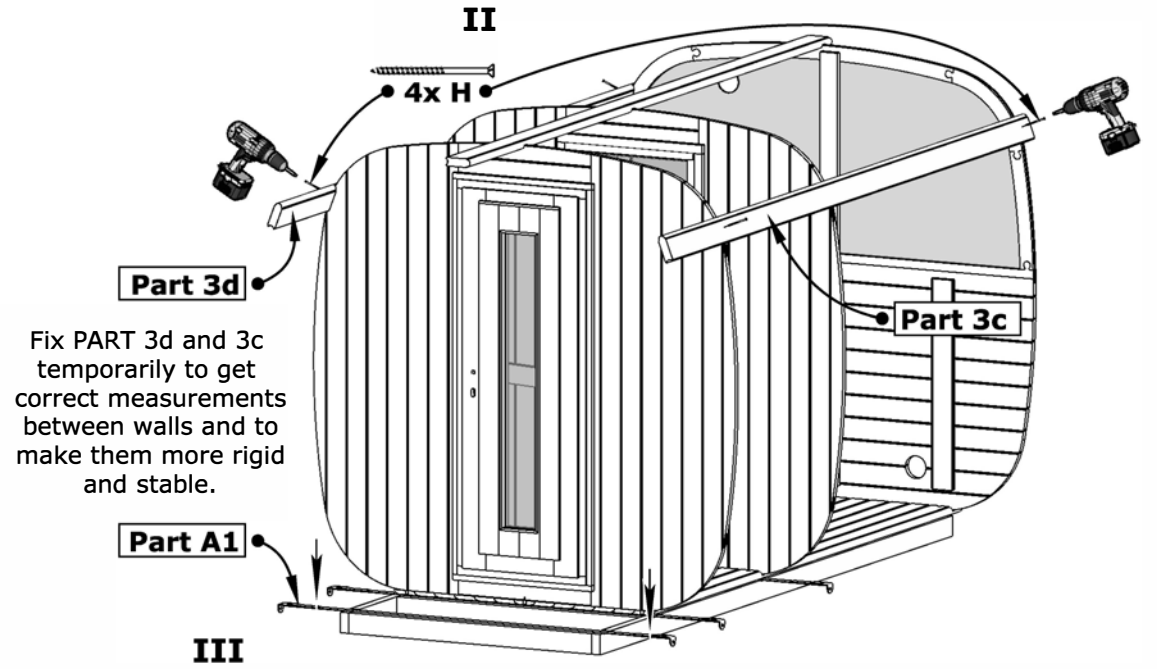
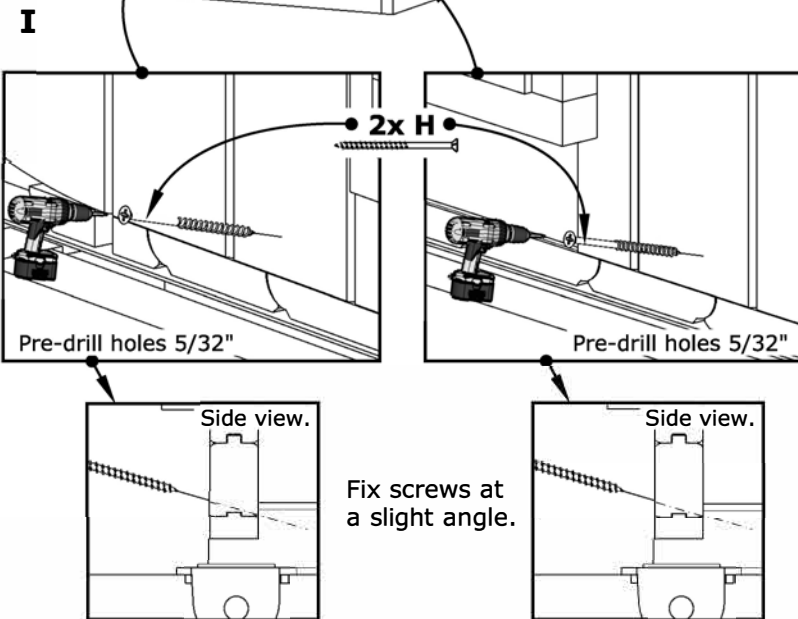
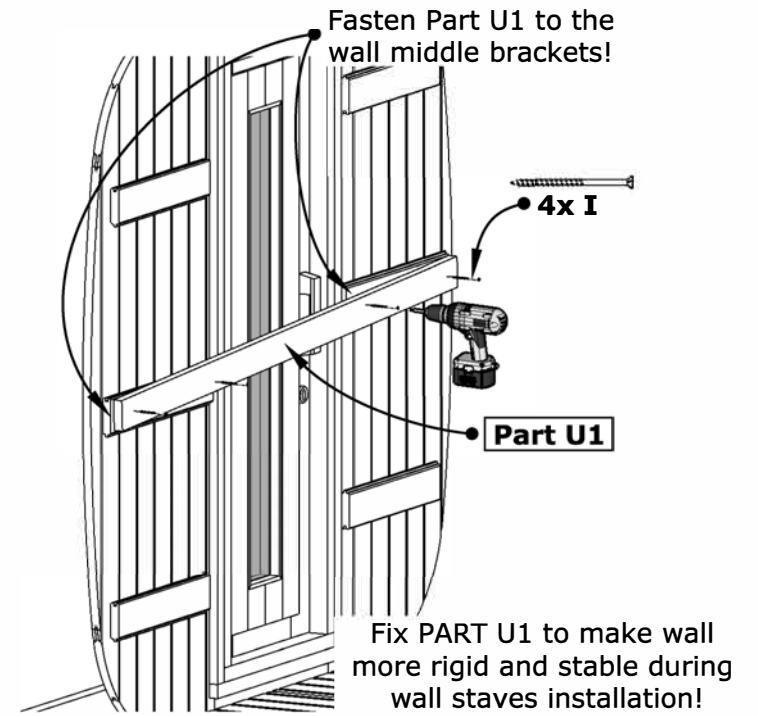
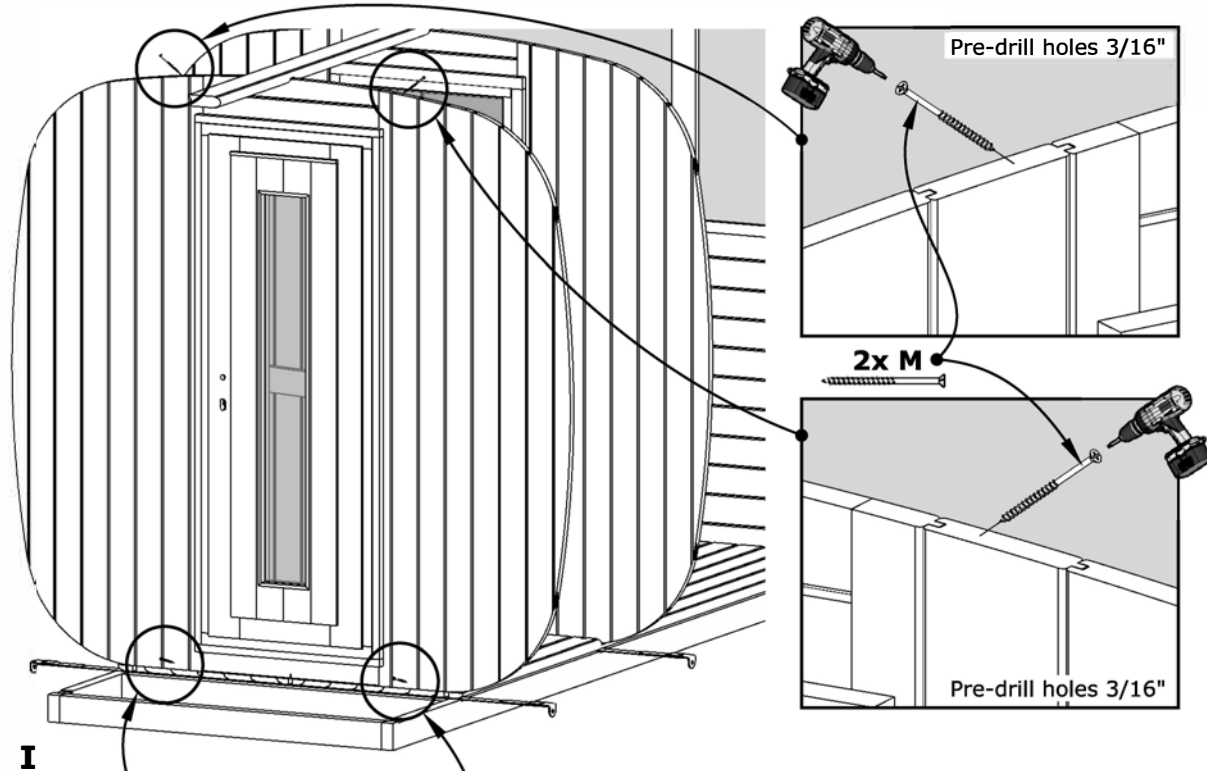
Make sure the marking on the wall is centered in the notch.



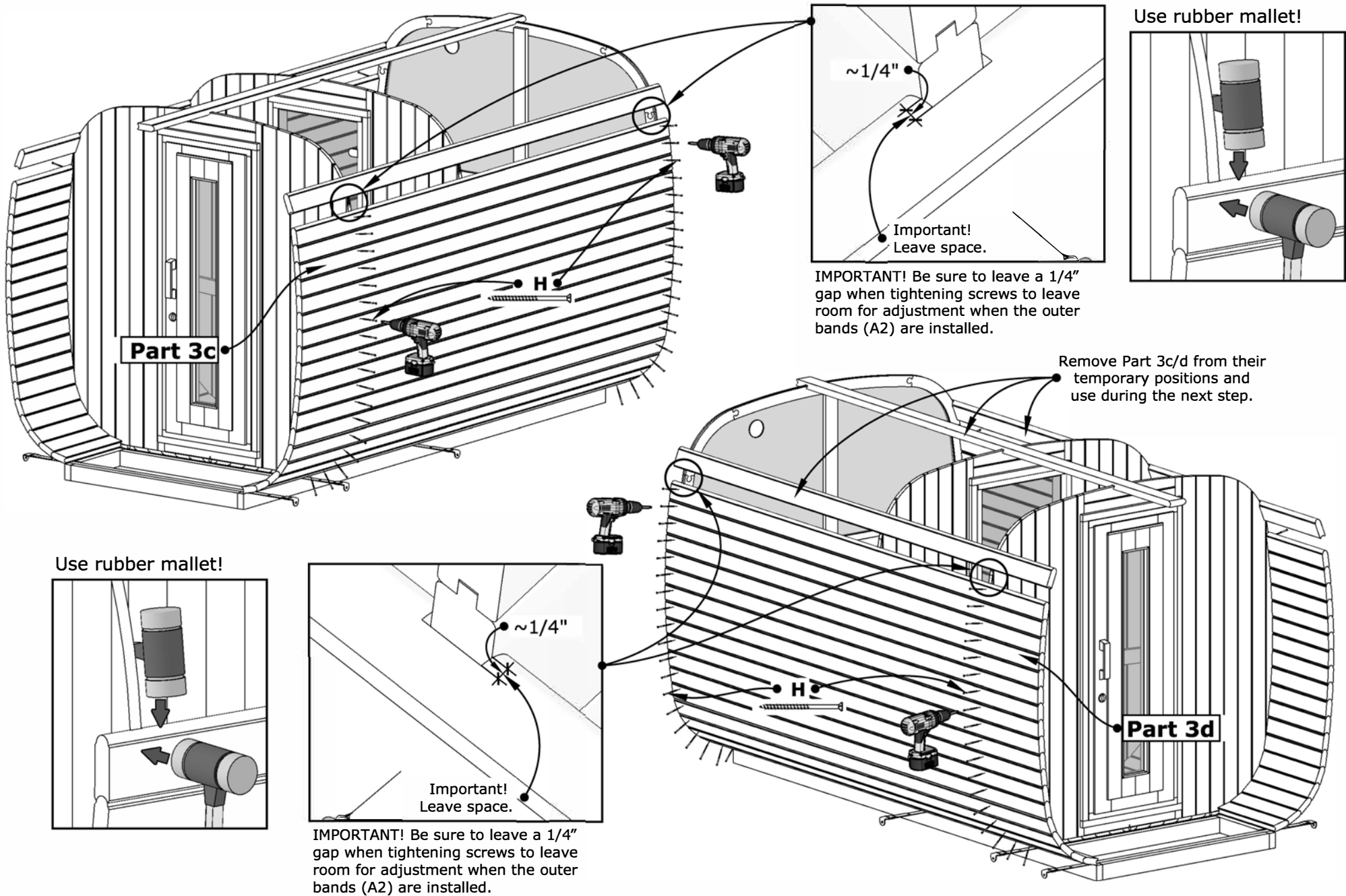
Fix screws at a slight angle.



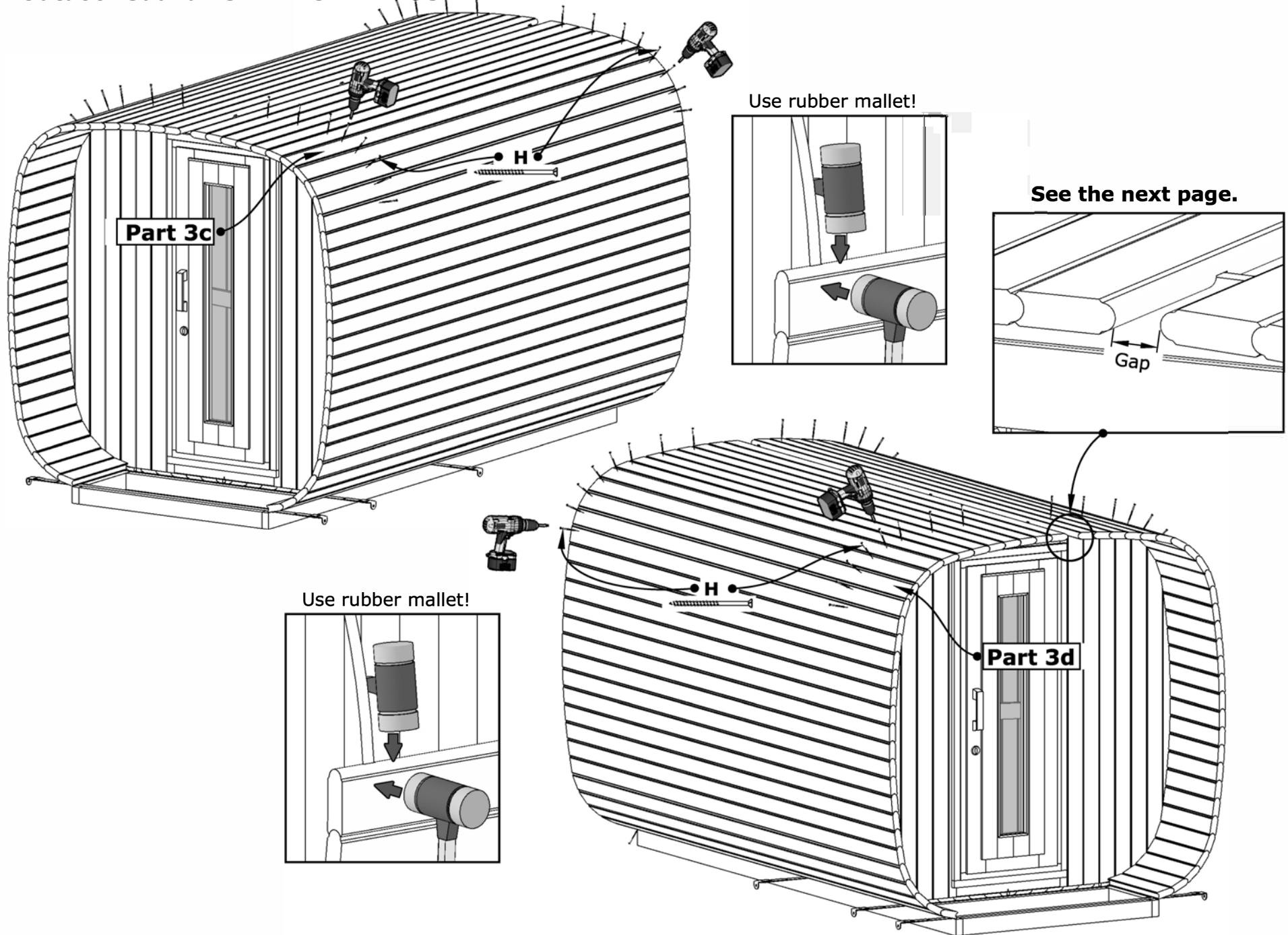
# CL12GCP Outdoor Sauna 152D" x 91W" x 93H"



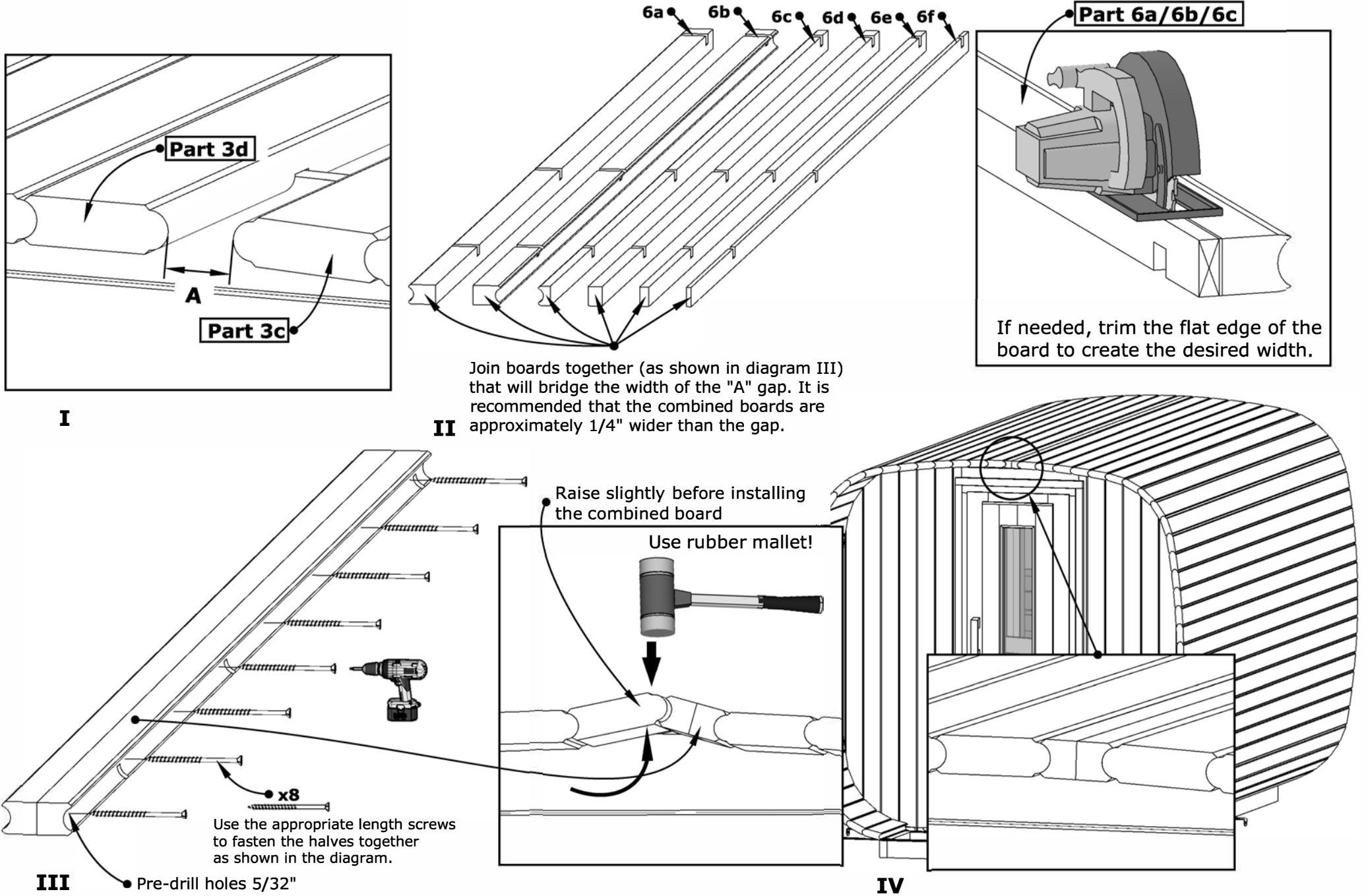
# CL12GCP Outdoor Sauna 152D" x 91W" x 93H"



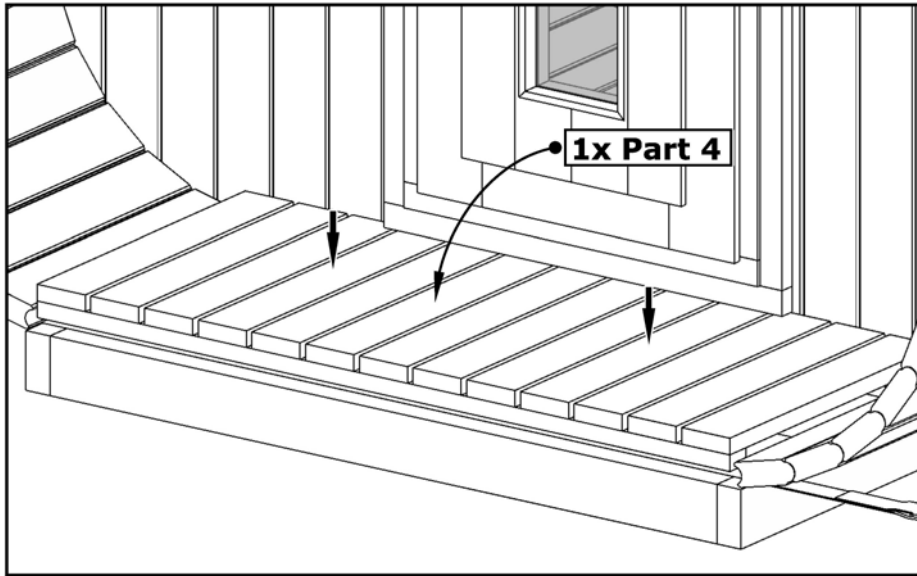
CL12GCP Outdoor Sauna 152D" x 91W" x 93H"



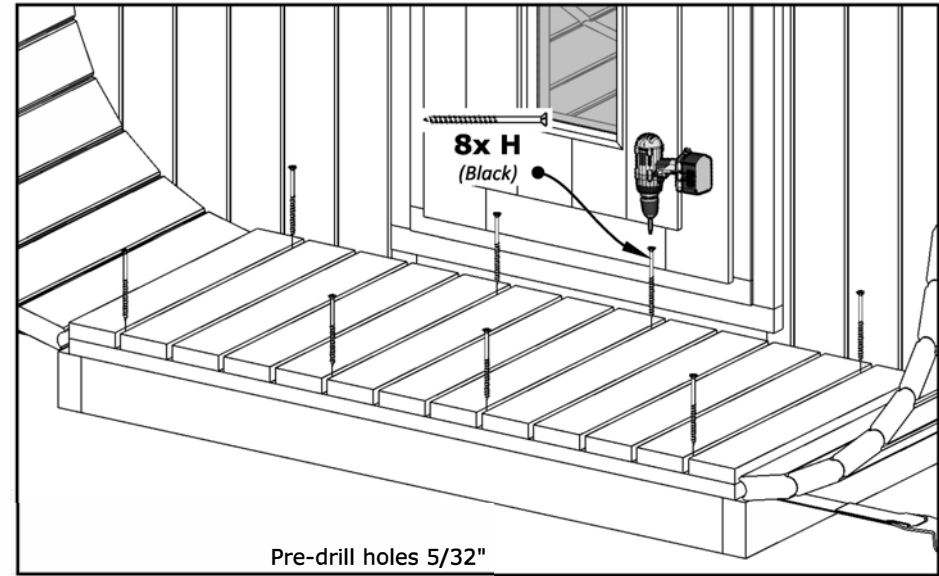
**CL12GCP Outdoor Sauna 152D" x 91W" x 93H"**



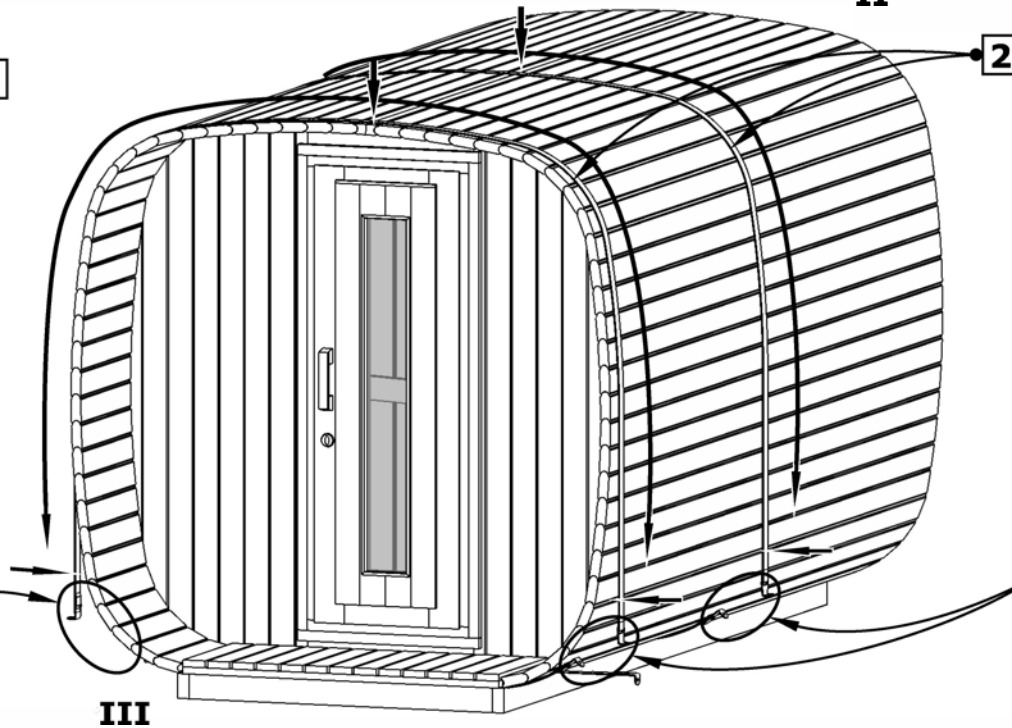
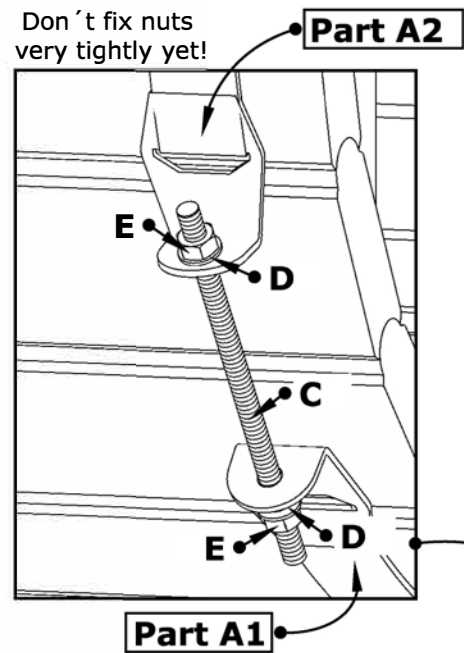
# CL12GCP Outdoor Sauna 152D" x 91W" x 93H"



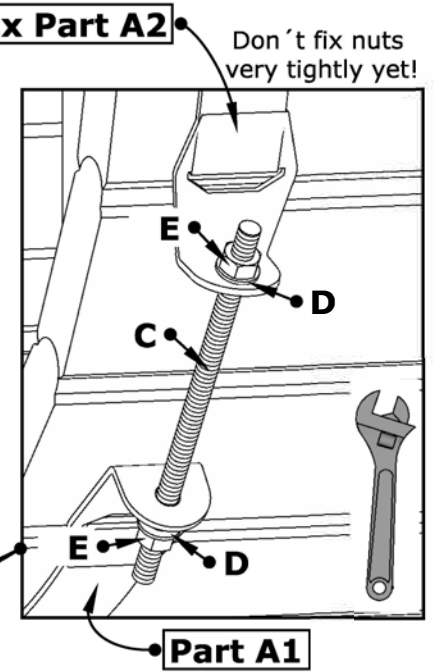
I



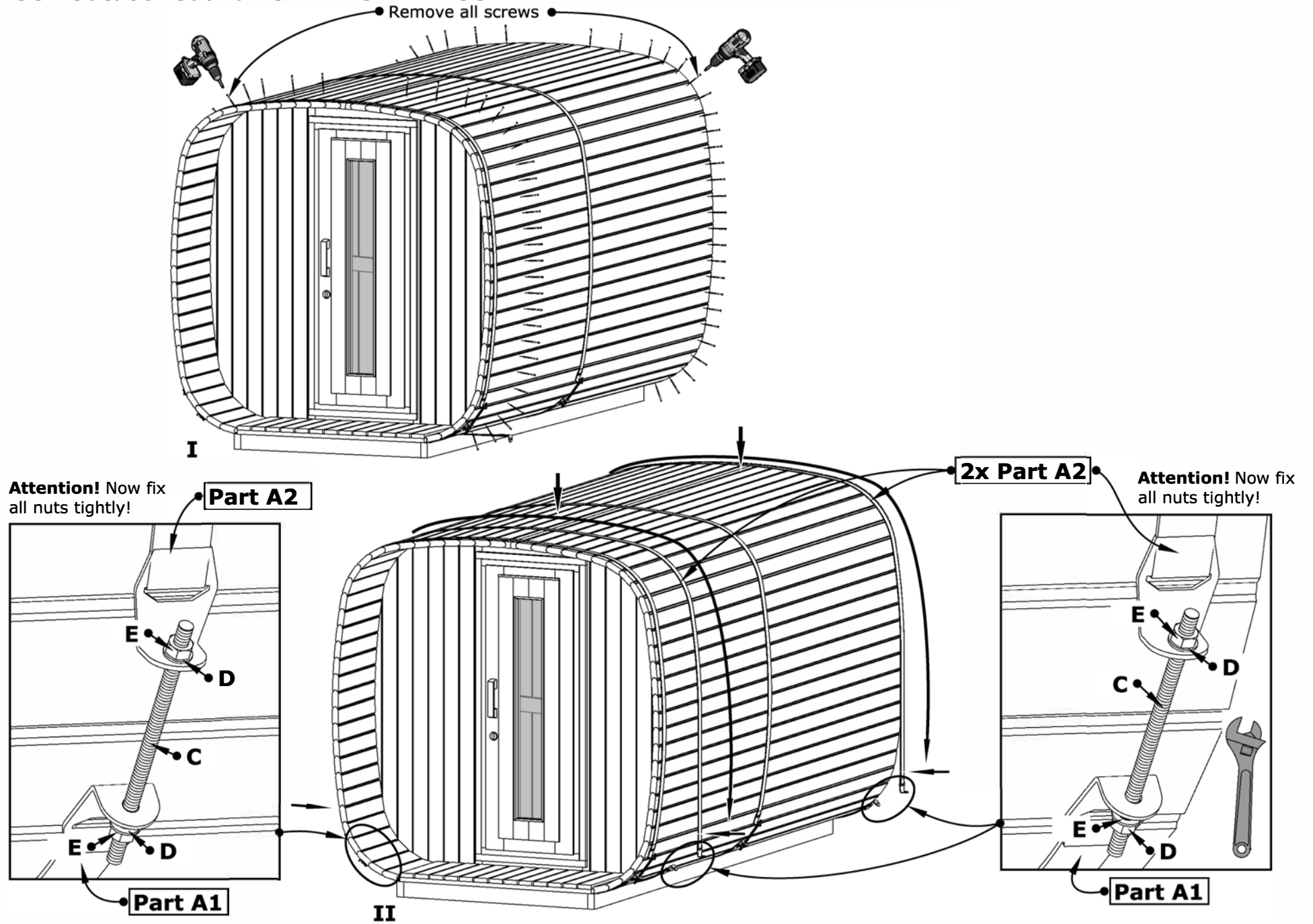
II



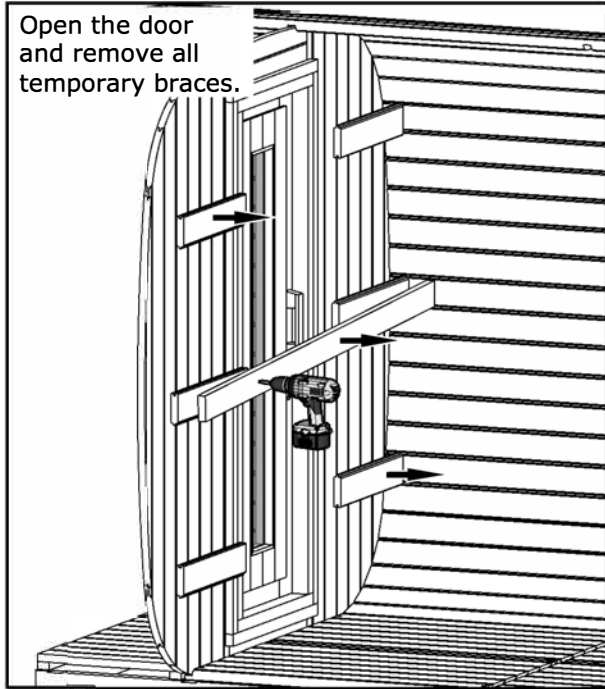
III



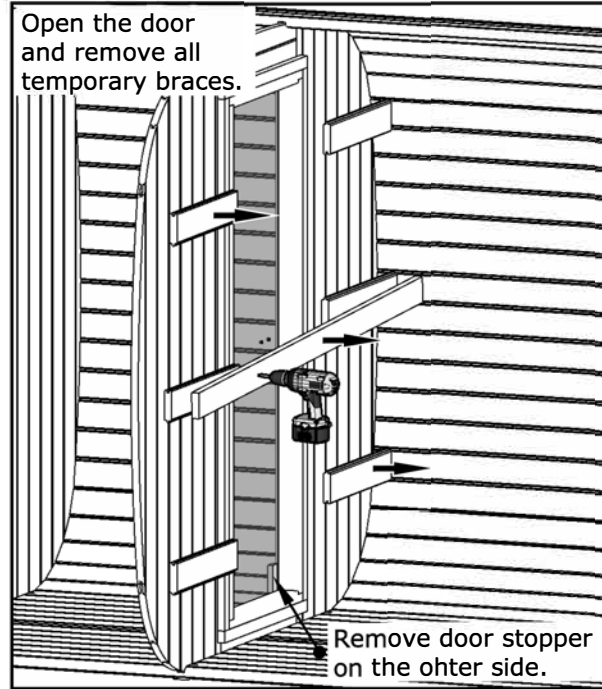
# CL12GCP Outdoor Sauna 152D" x 91W" x 93H"



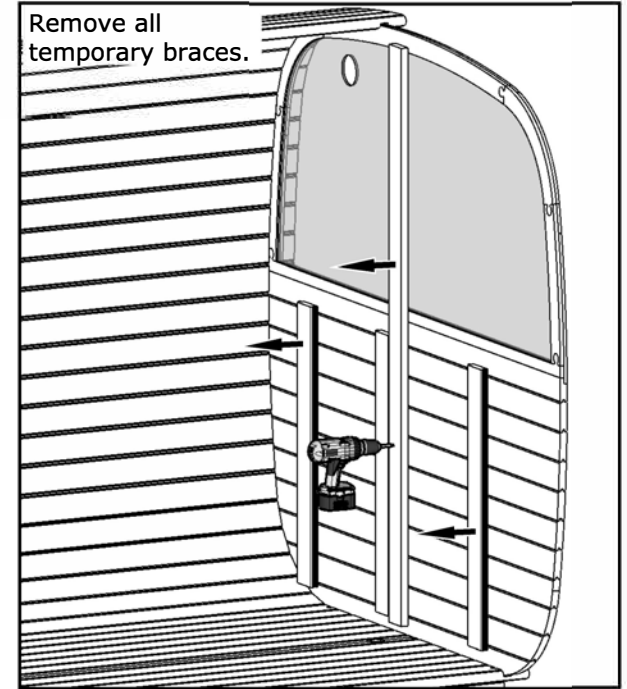
# CL12GCP Outdoor Sauna 152D" x 91W" x 93H"



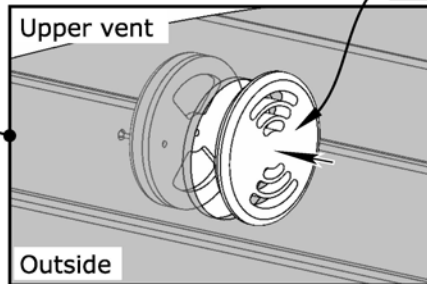
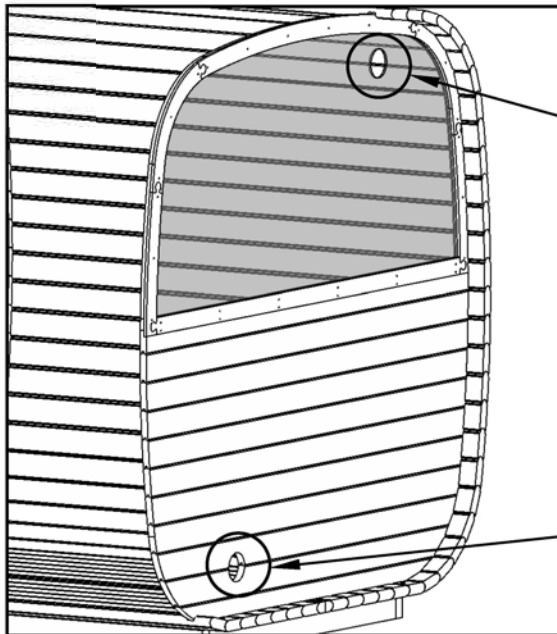
**I**



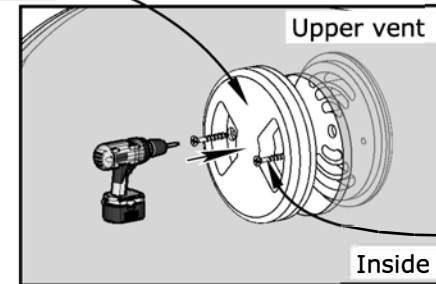
**II**



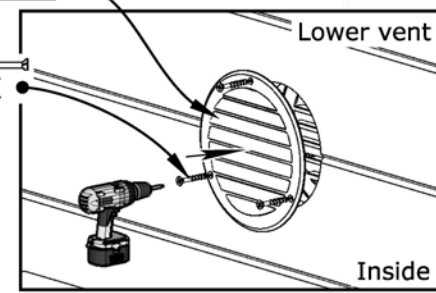
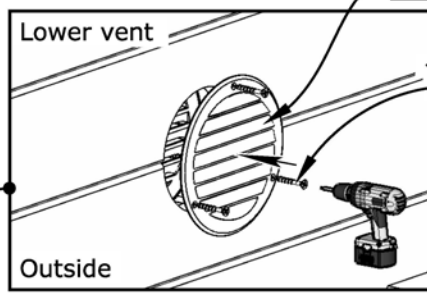
**III**



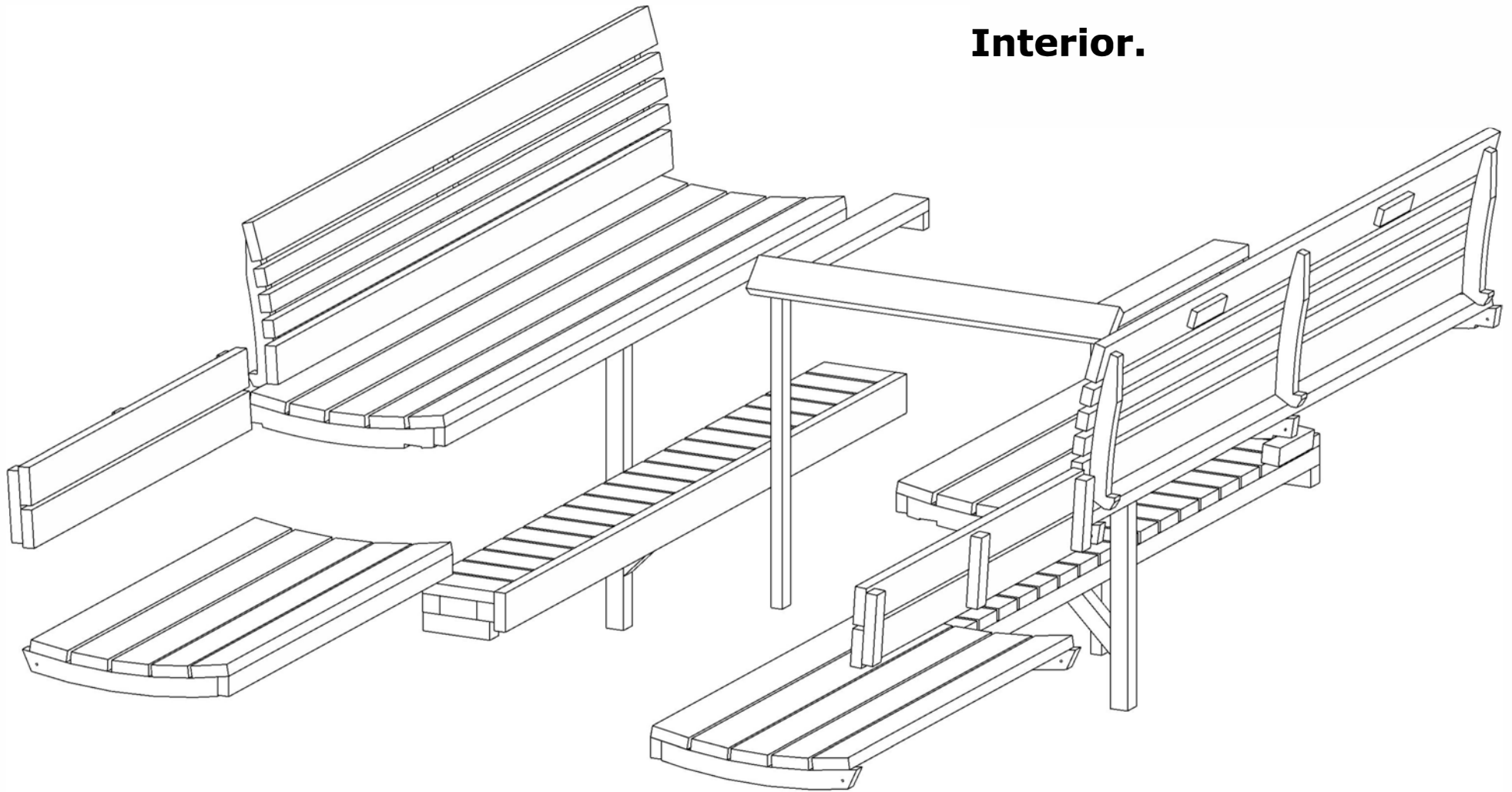
• 1x Part Z •



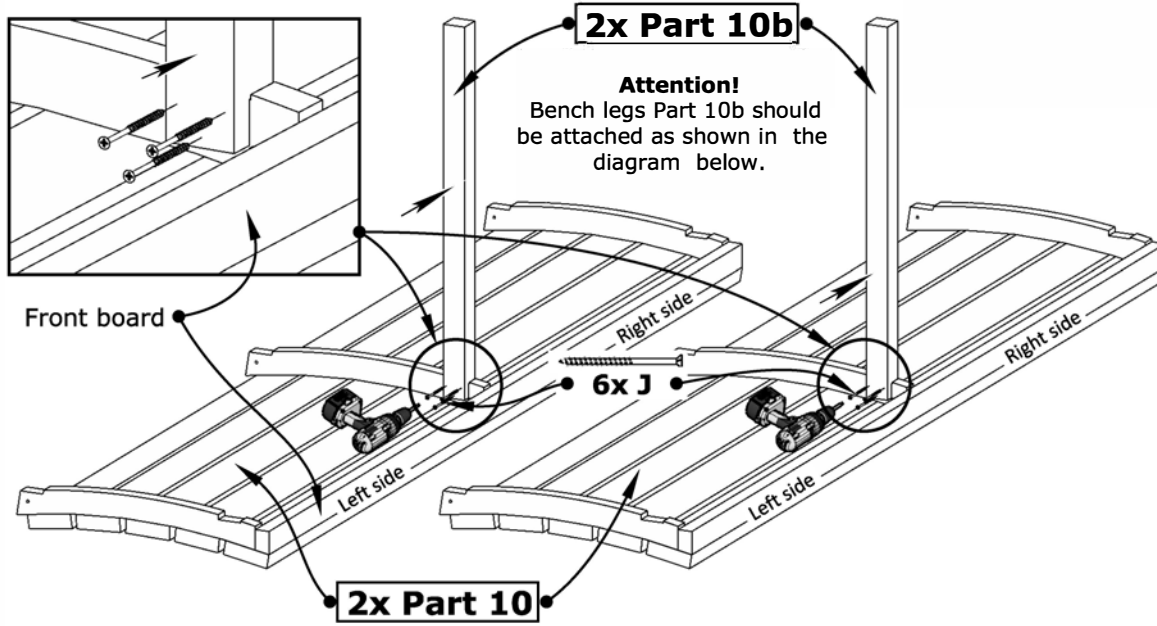
• 2x Part F •



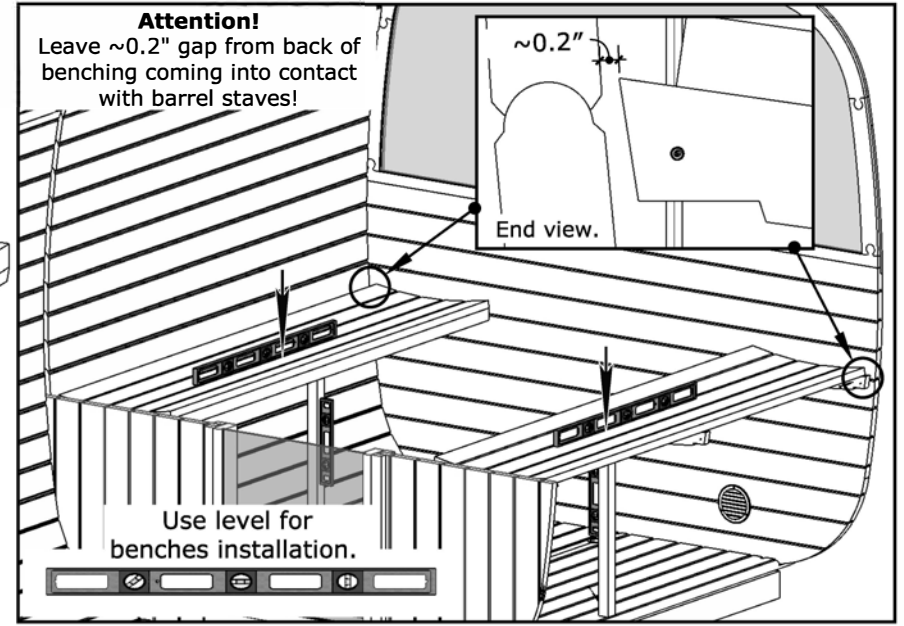
**Interior.**



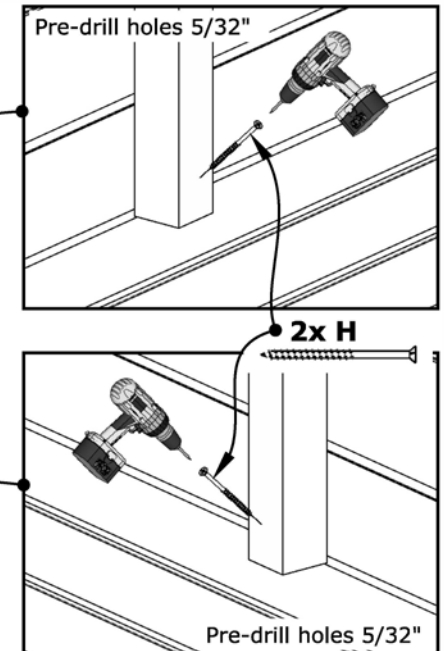
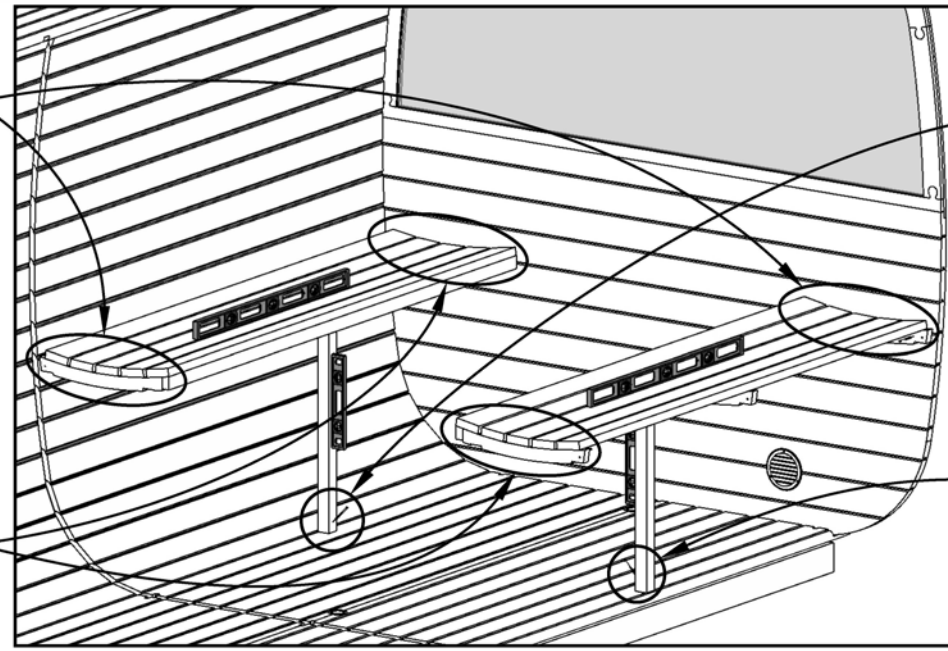
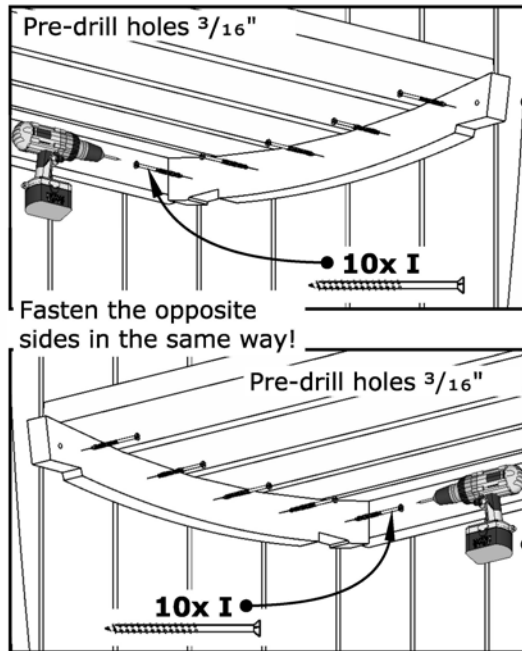
# CL12GCP Outdoor Sauna 152D" x 91W" x 93H"



I

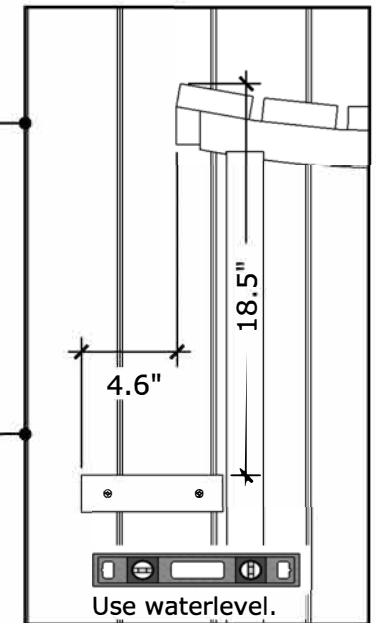
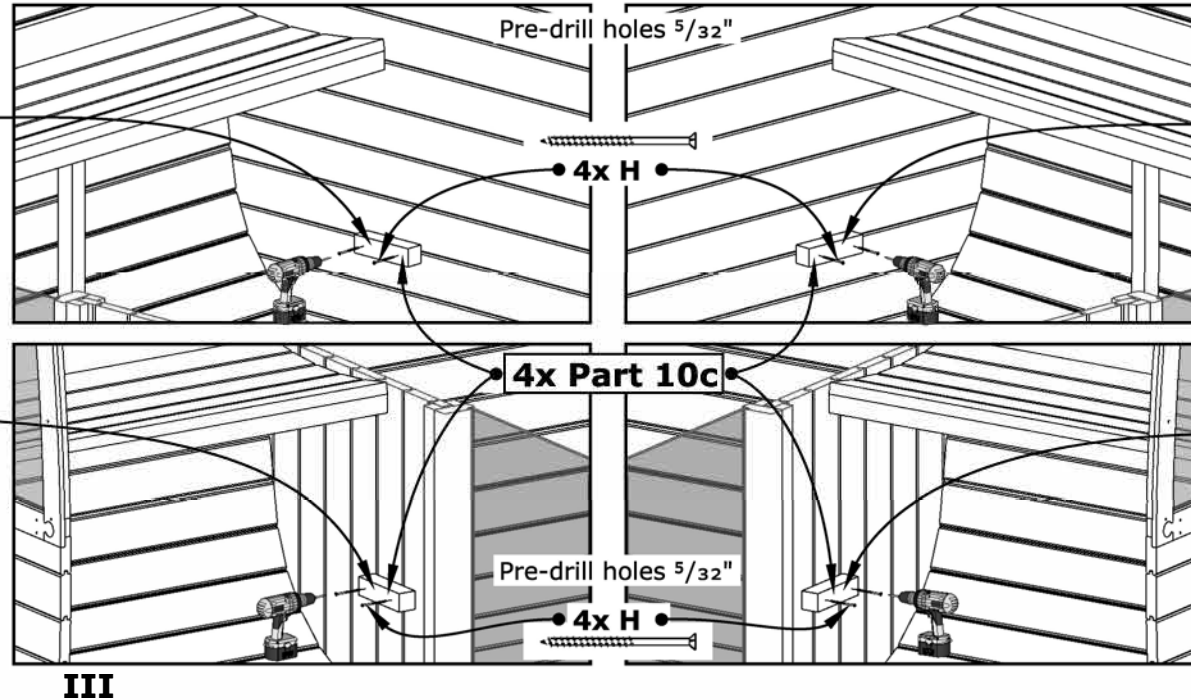
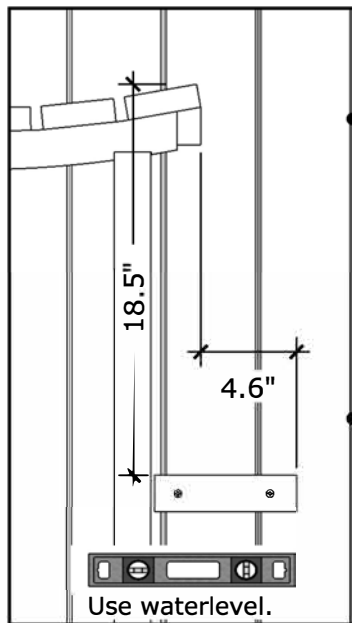
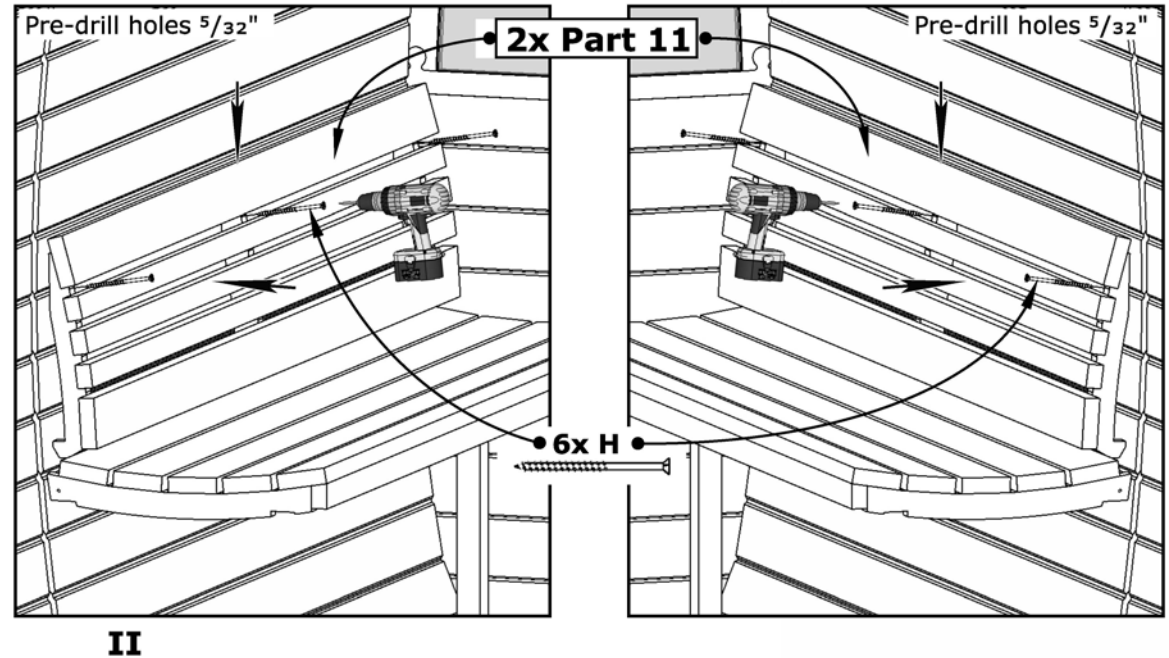
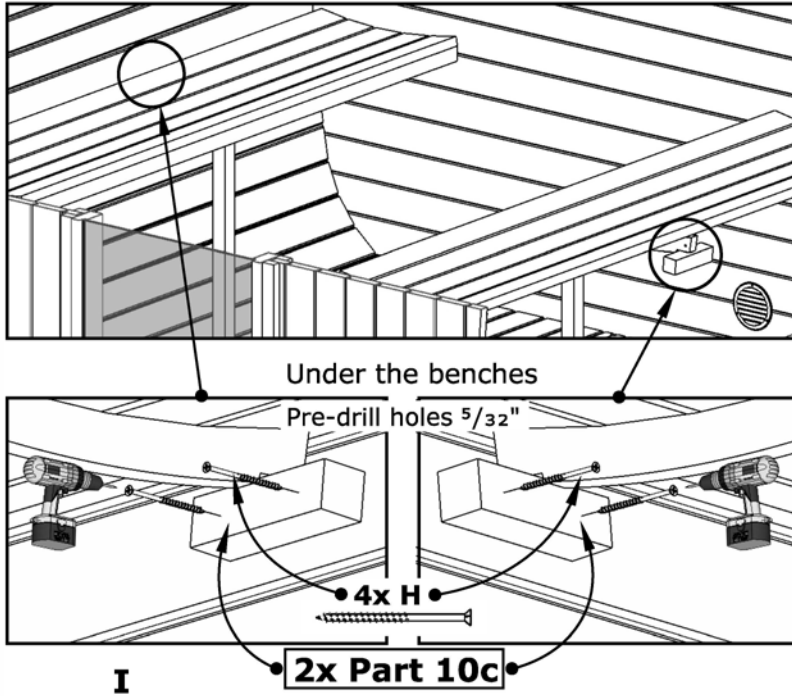


III

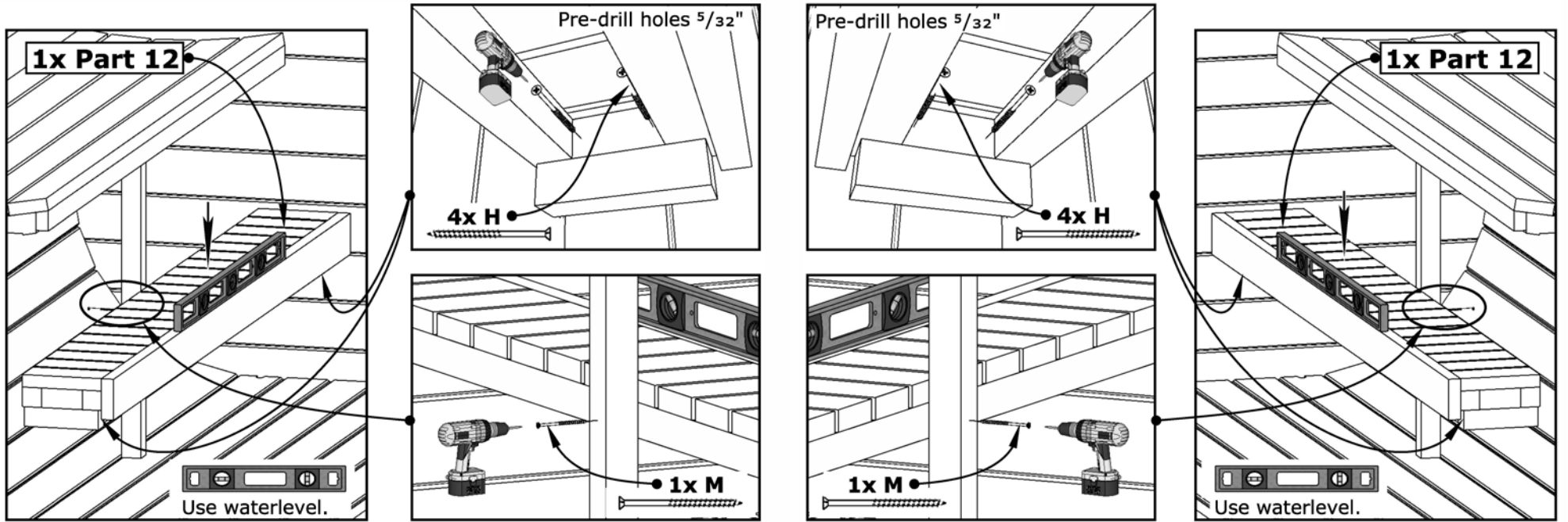


IV

# CL12GCP Outdoor Sauna 152D" x 91W" x 93H"

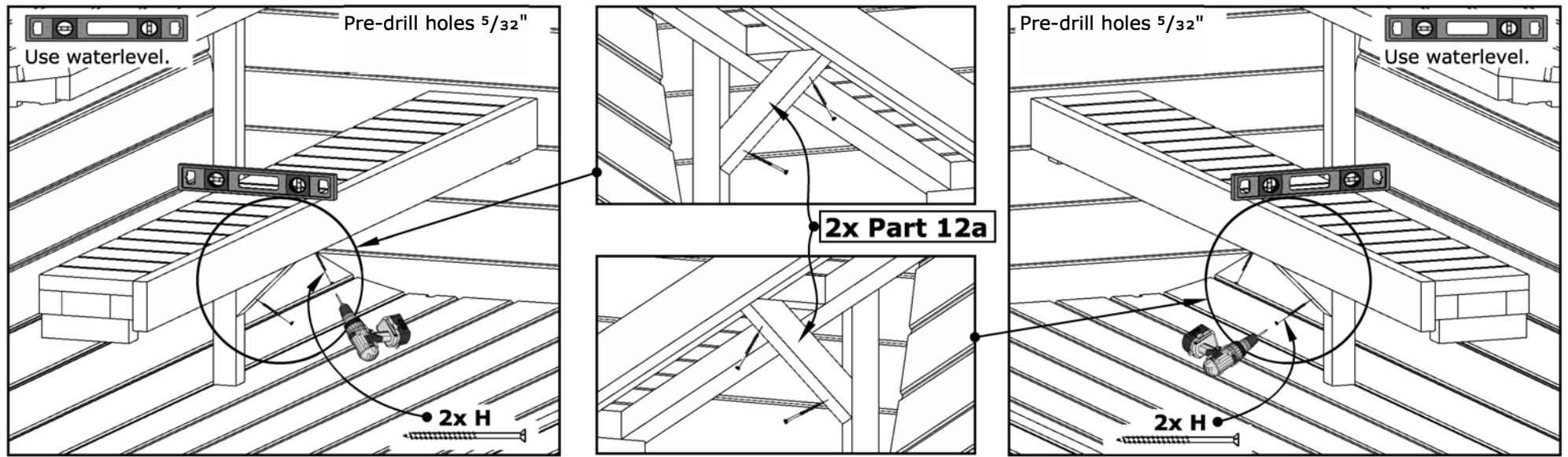


CL12GCP Outdoor Sauna 152D" x 91W" x 93H"



I

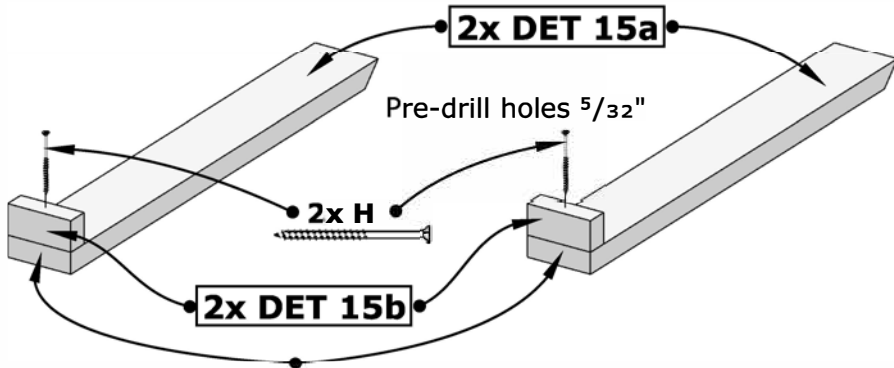
II



III

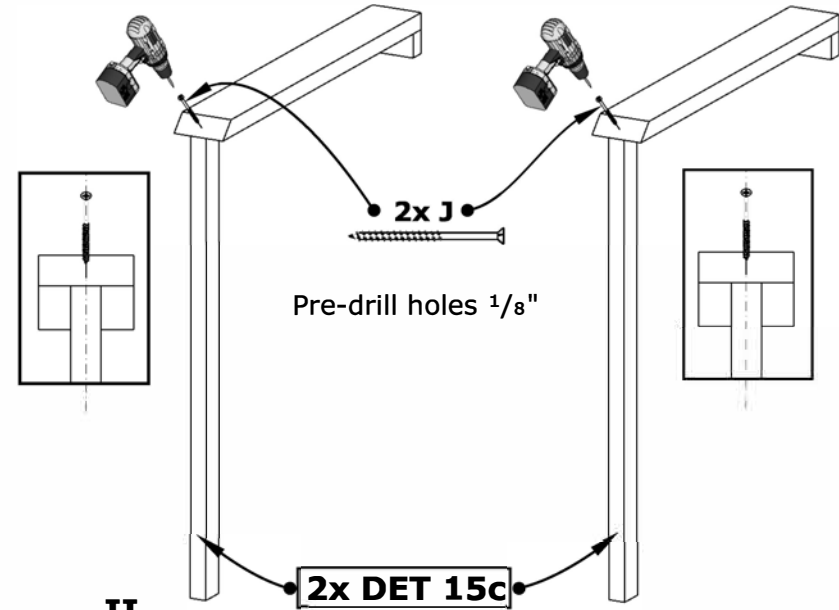
# CL12GCP Outdoor Sauna 152D" x 91W" x 93H"

**ATTENTION!**  
**HEATER GUARD MAY NOT MEET THE SAFETY**  
**DISTANCES OF ALL HEATERS AND SHOULD**  
**NOT BE USED IF THE HEATER DOES NOT FIT!**

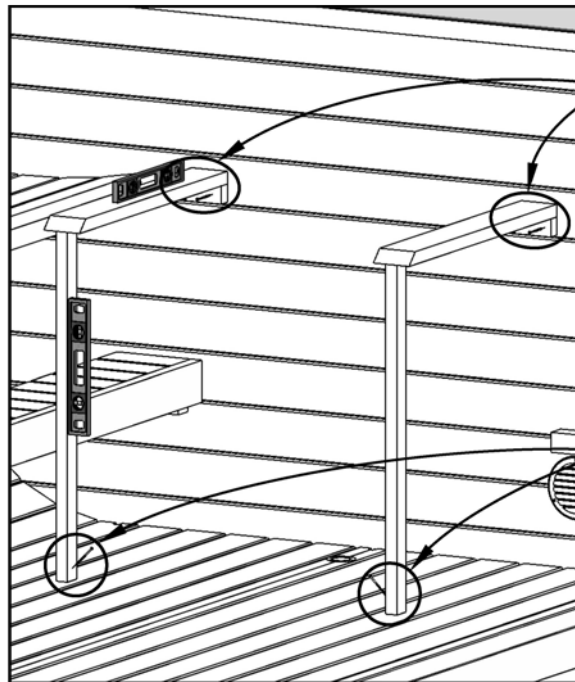


If Your sauna heater is smaller, You can cut DET 15a to length from the non-tapered end to better fit your heater.

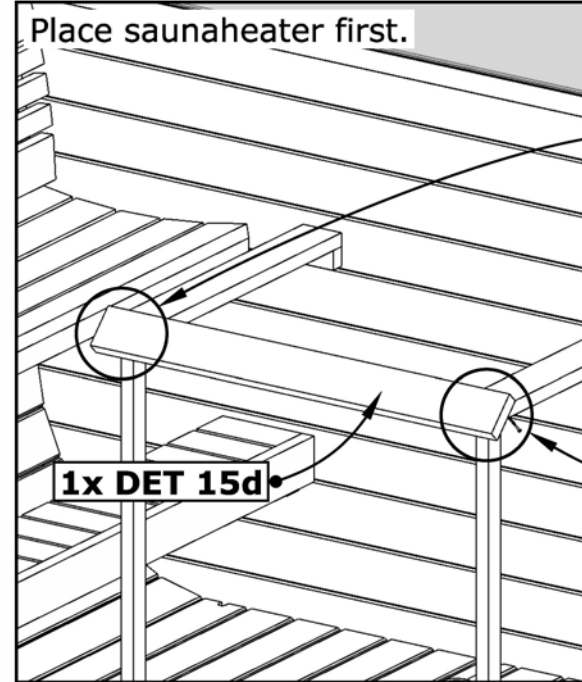
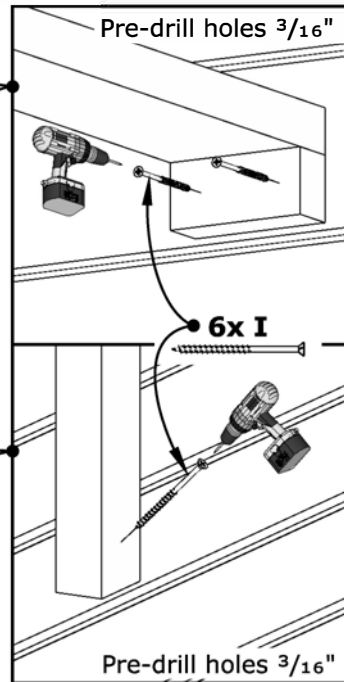
**I**



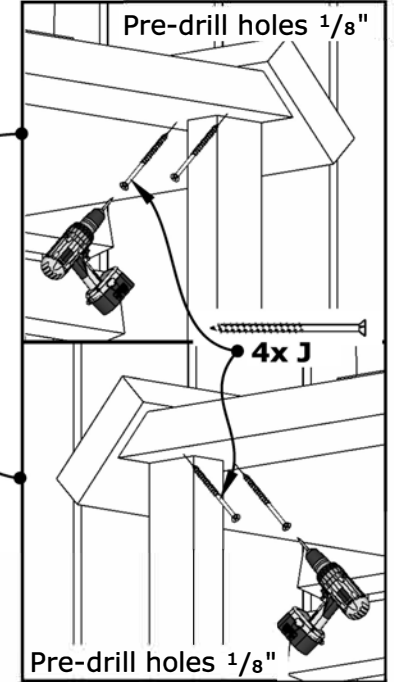
**II**



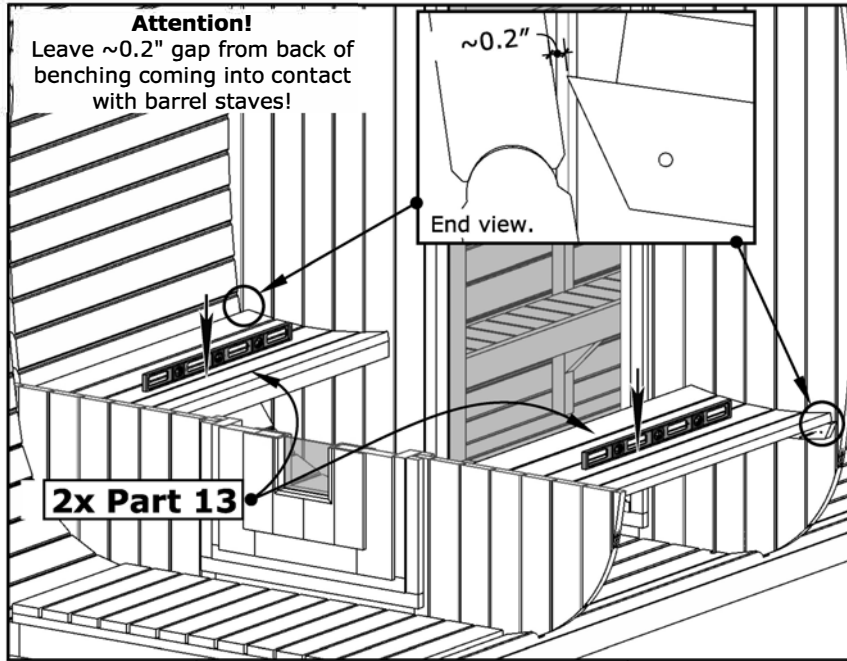
**III**



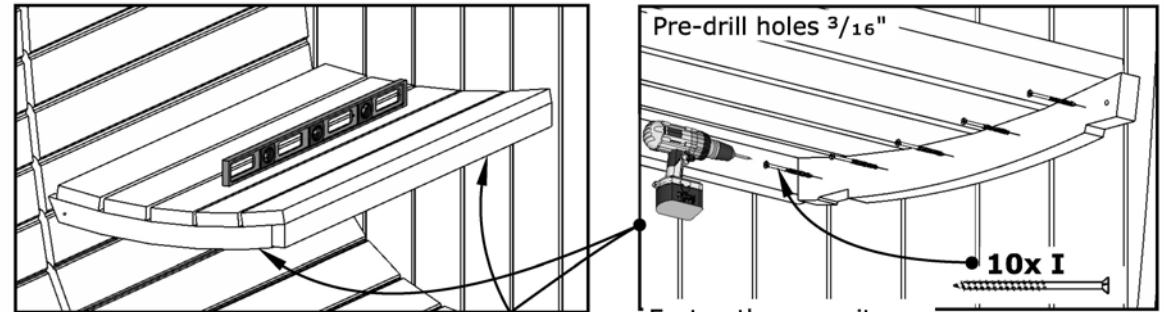
**IV**



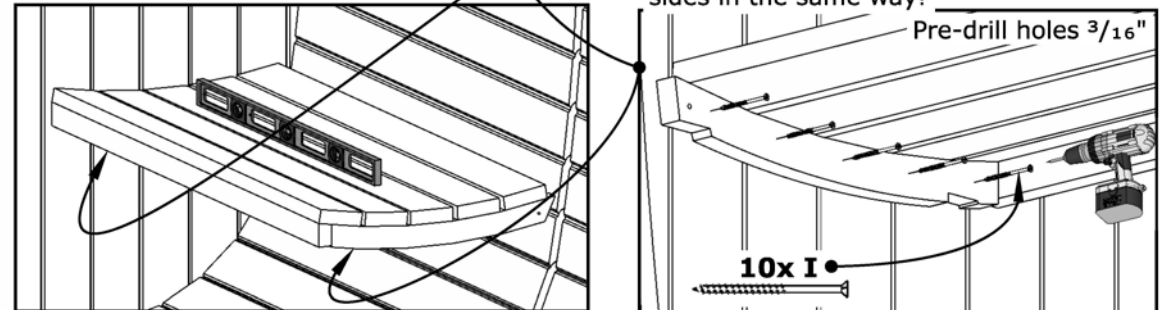
# CL12GCP Outdoor Sauna 152D" x 91W" x 93H"



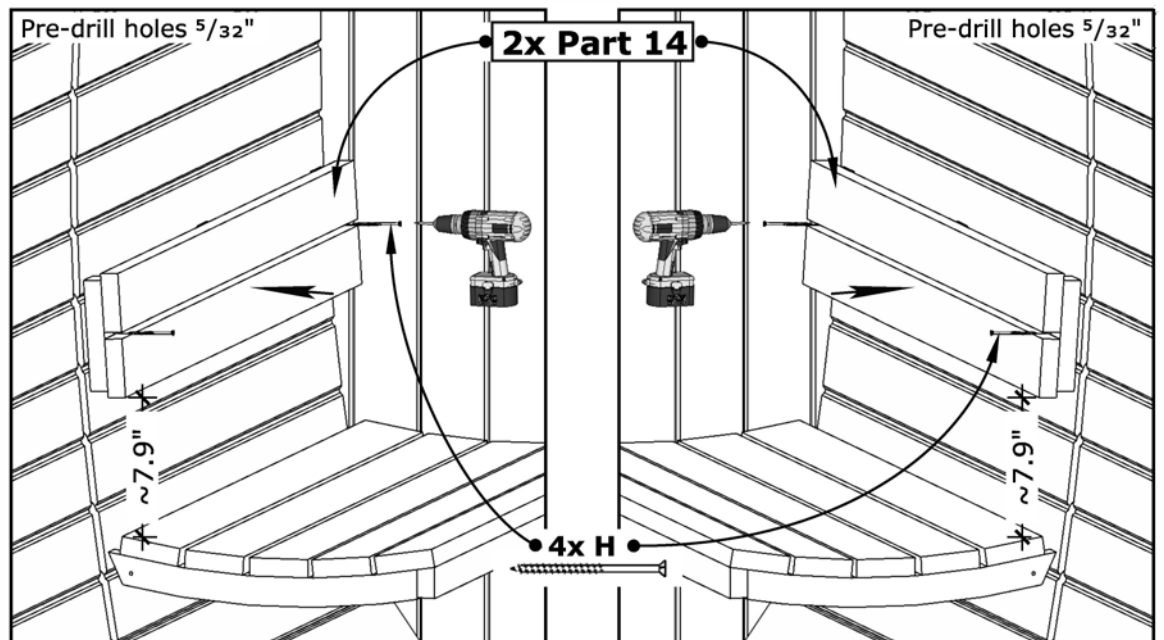
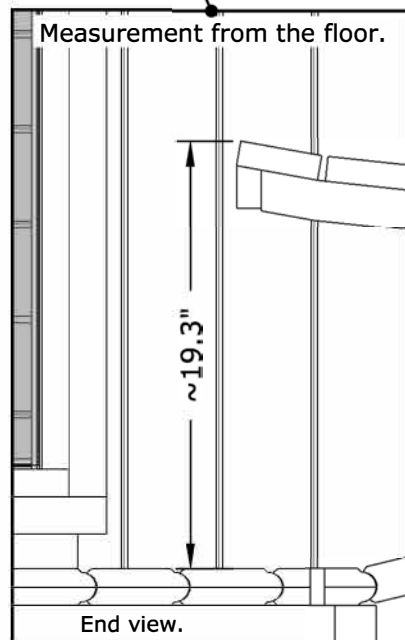
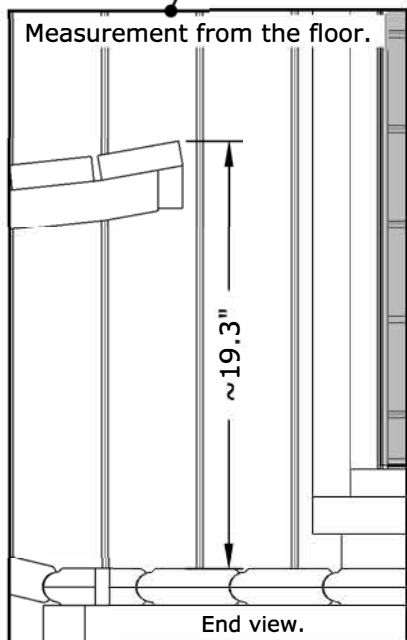
**I**



Fasten the opposite sides in the same way!

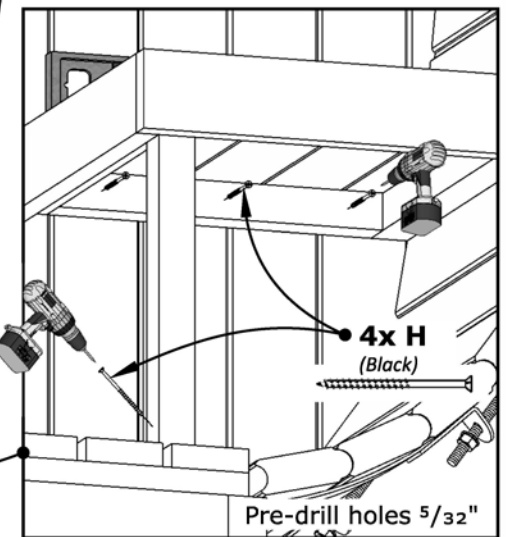
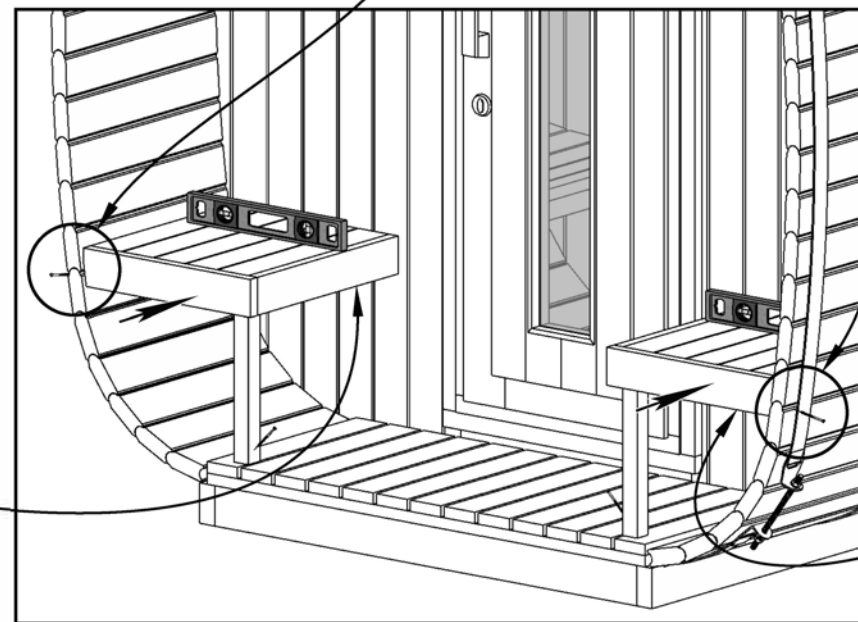
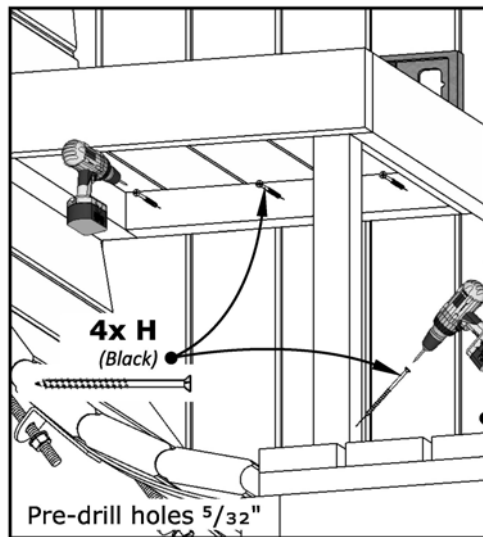
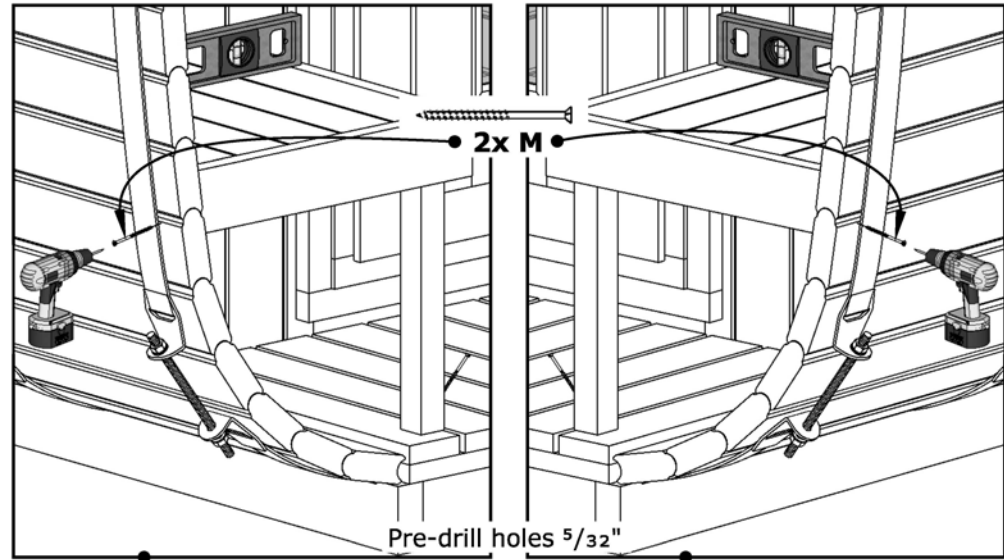
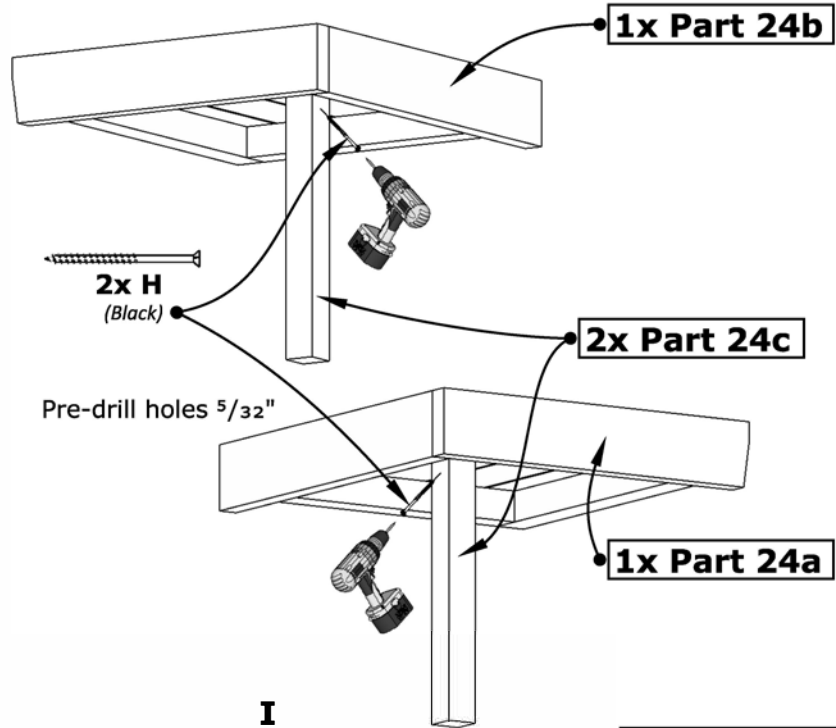


**II**

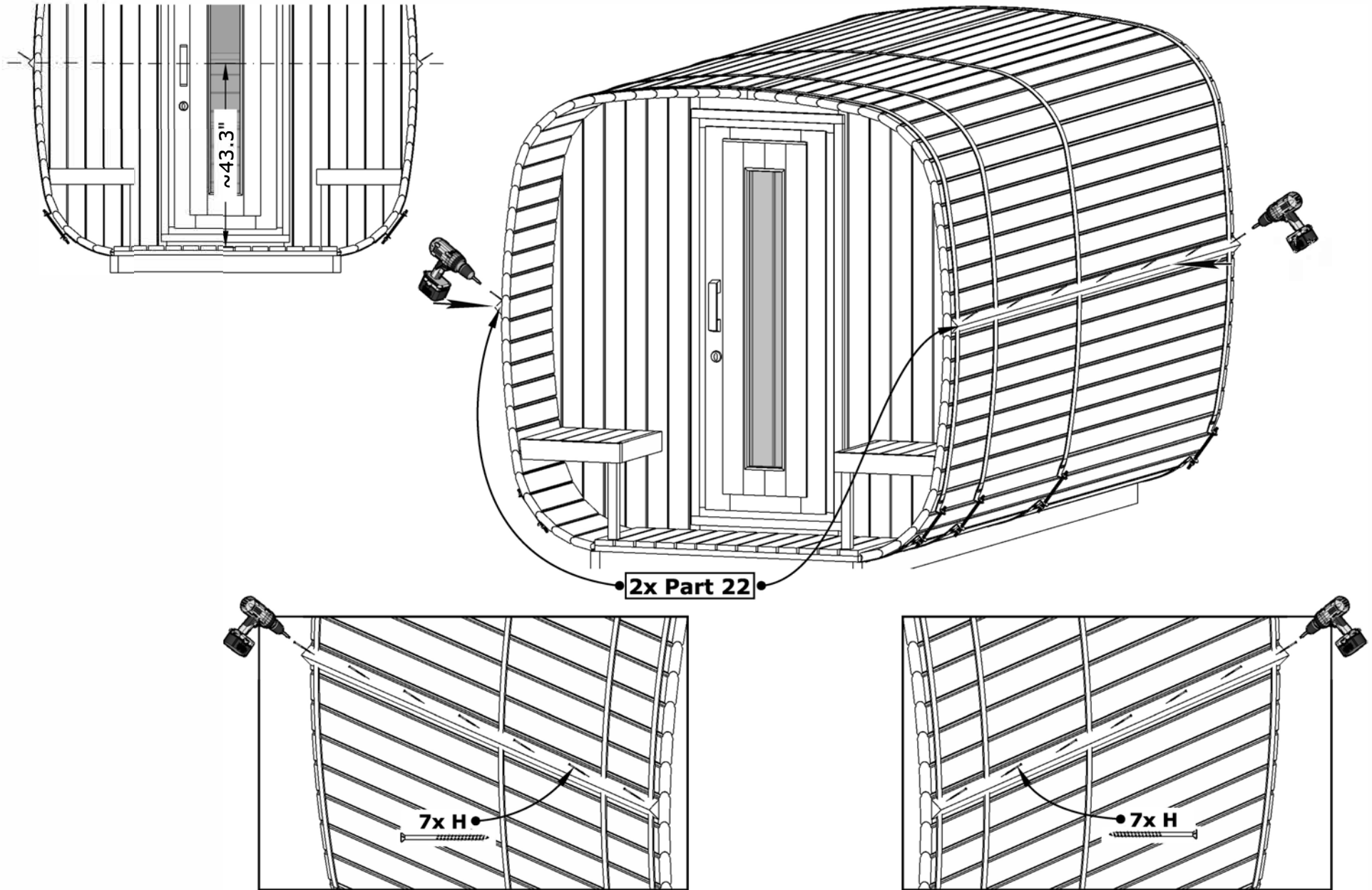


**III**

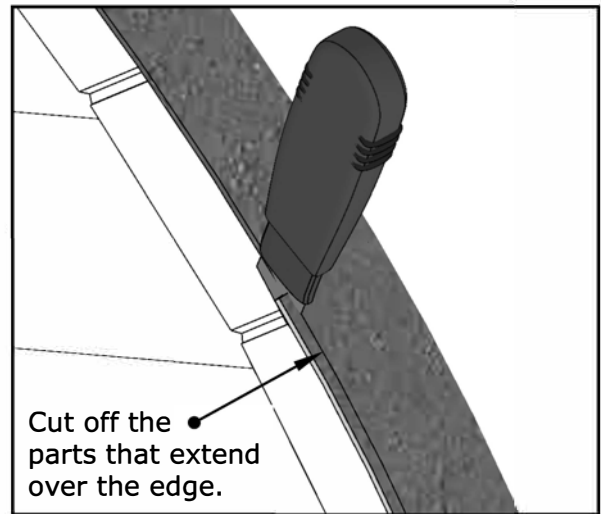
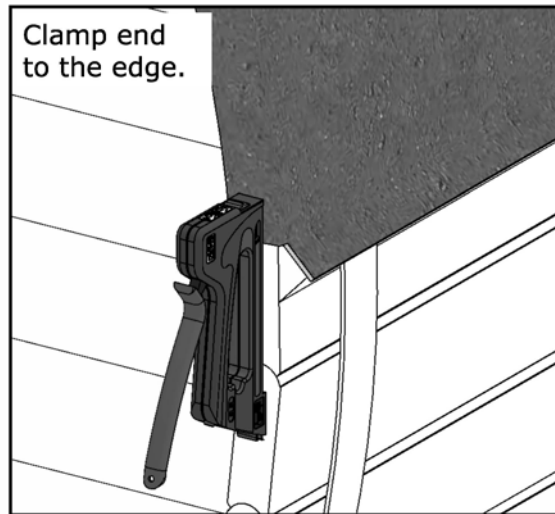
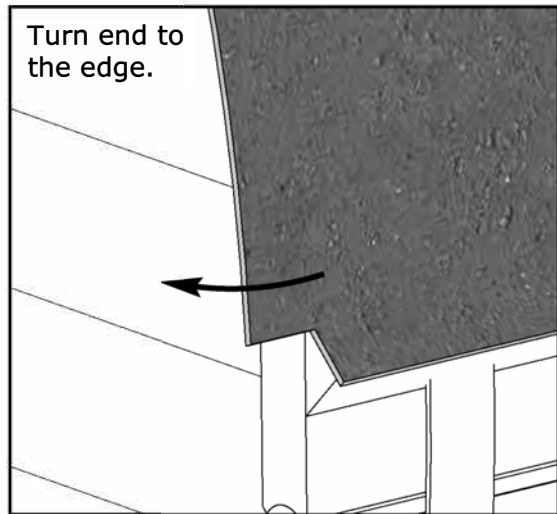
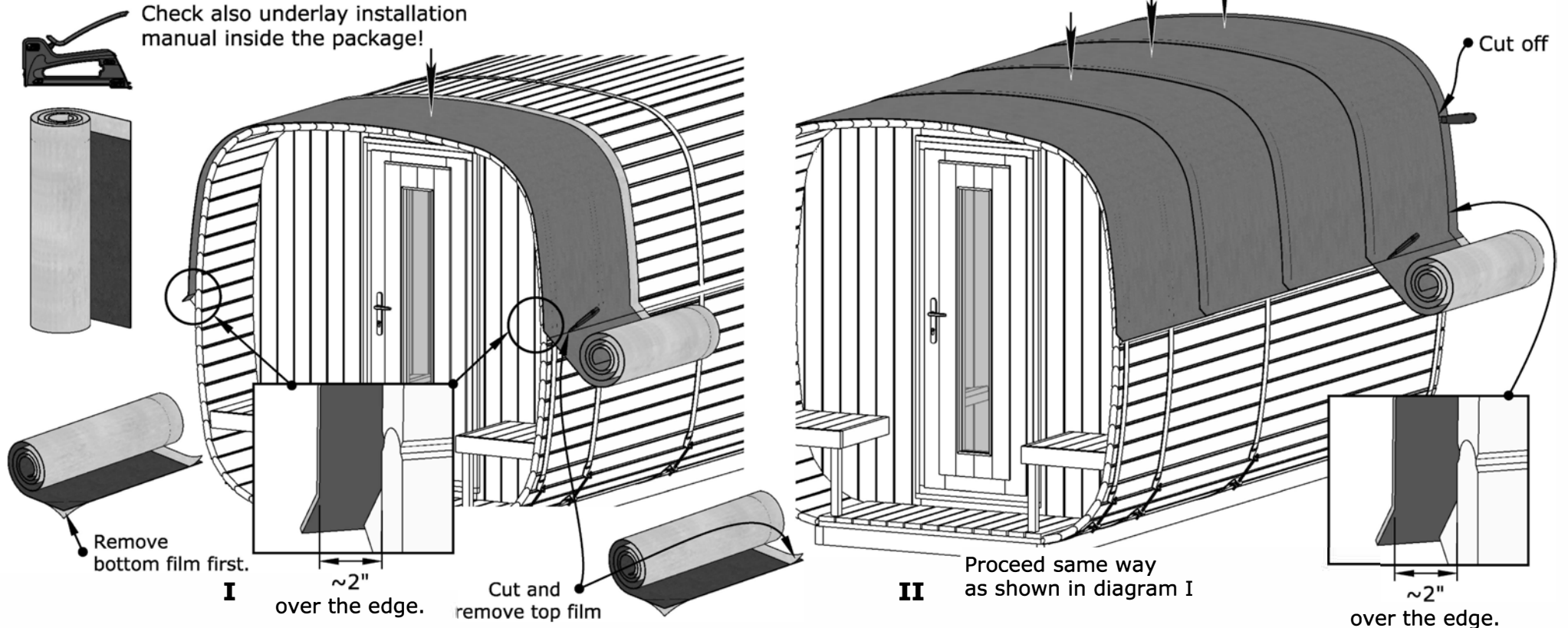
# CL12GCP Outdoor Sauna 152D" x 91W" x 93H"



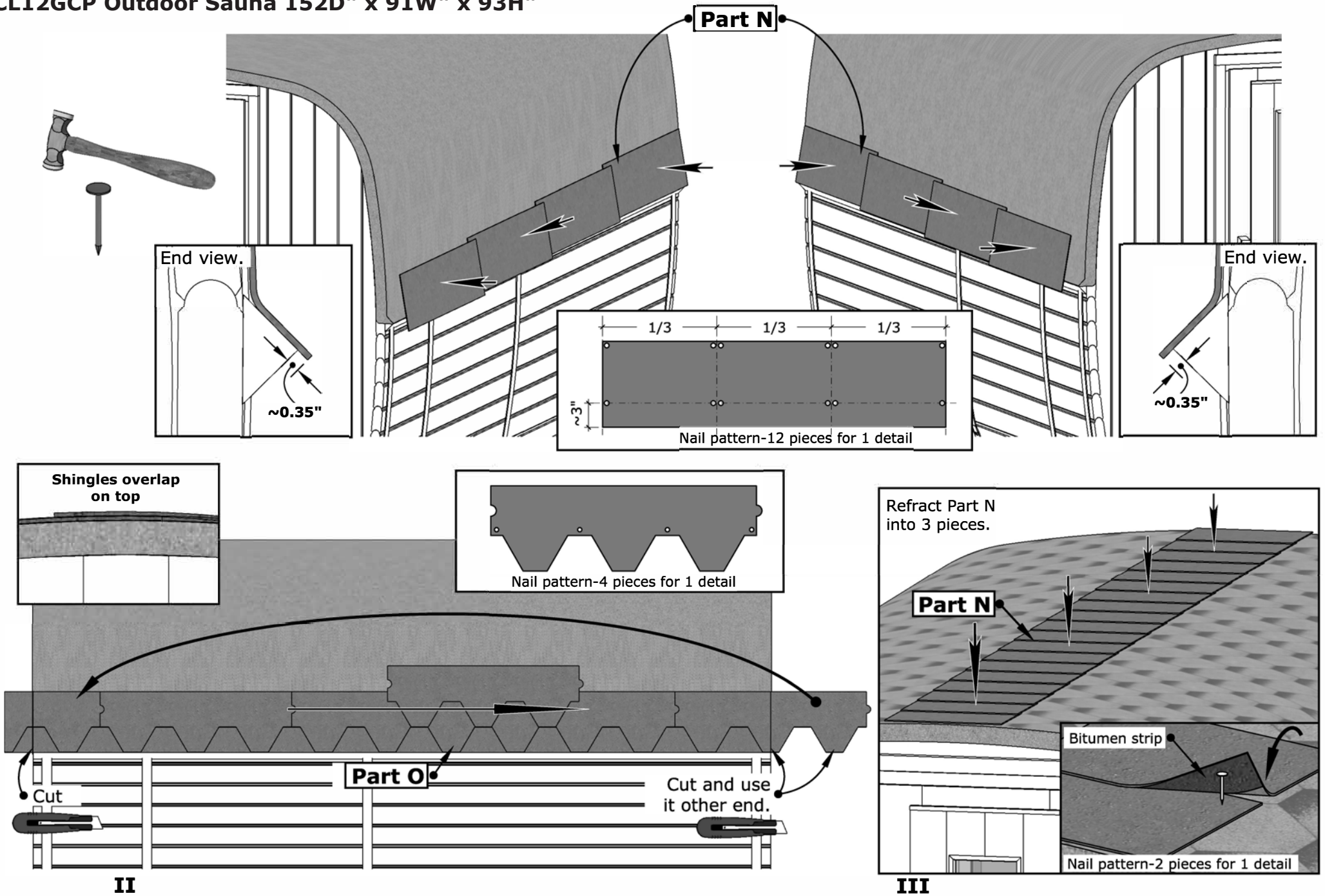
**CL12GCP Outdoor Sauna 152D" x 91W" x 93H"**



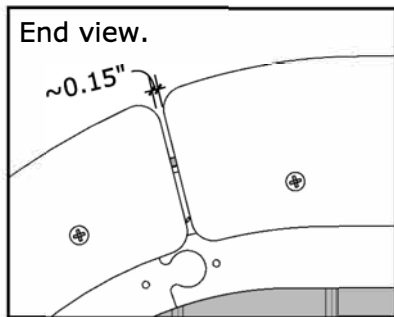
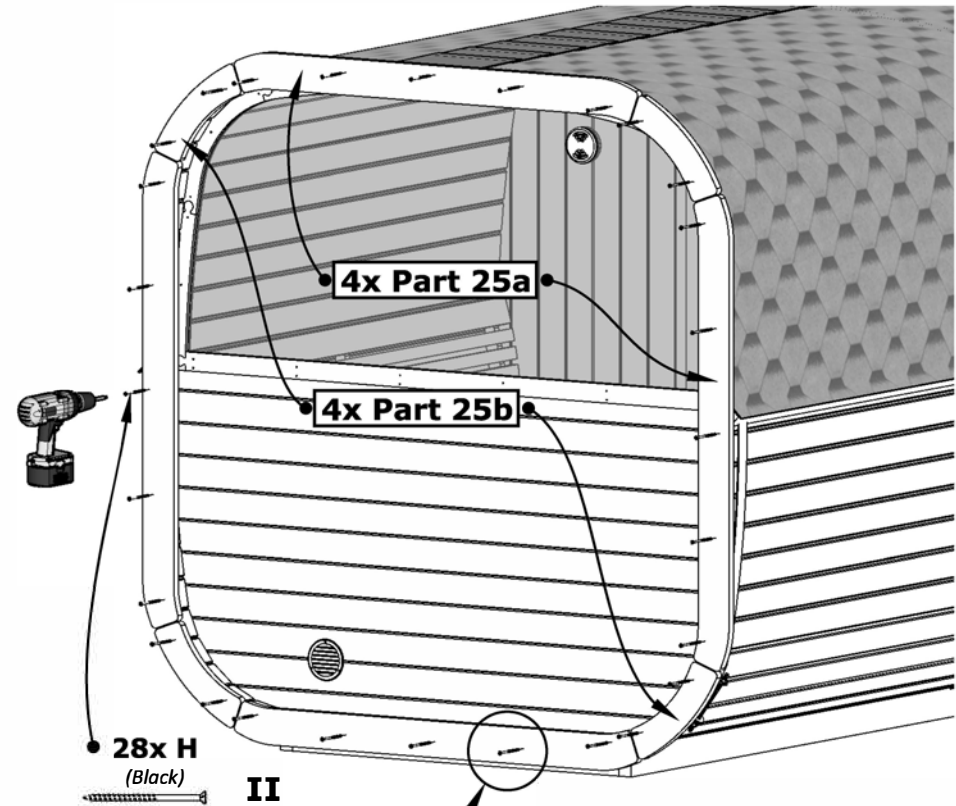
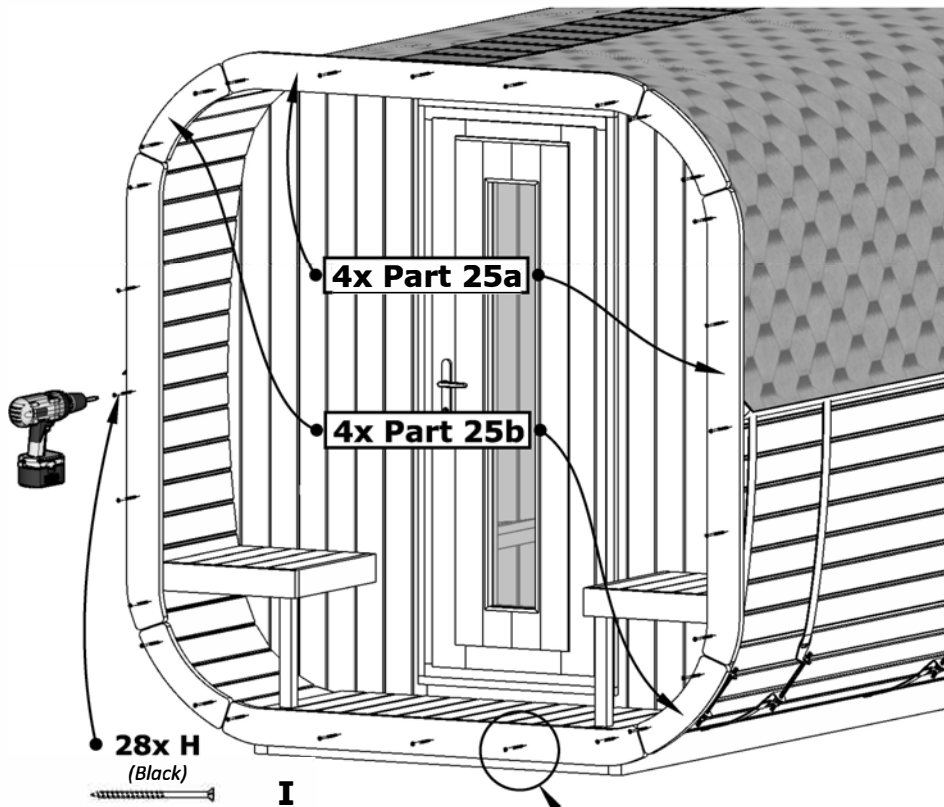
# CL12GCP Outdoor Sauna 152D" x 91W" x 93H"



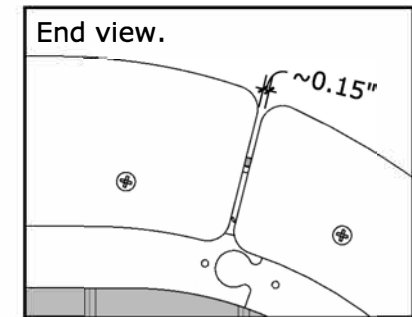
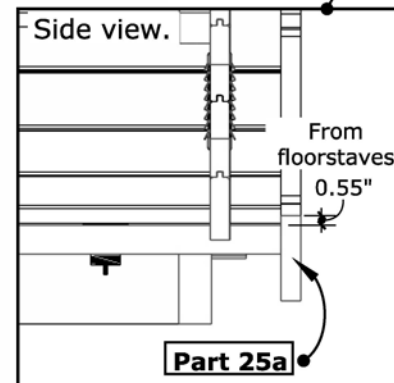
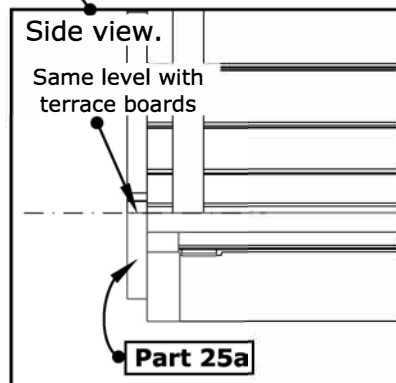
CL12GCP Outdoor Sauna 152D" x 91W" x 93H"



# CL12GCP Outdoor Sauna 152D" x 91W" x 93H"

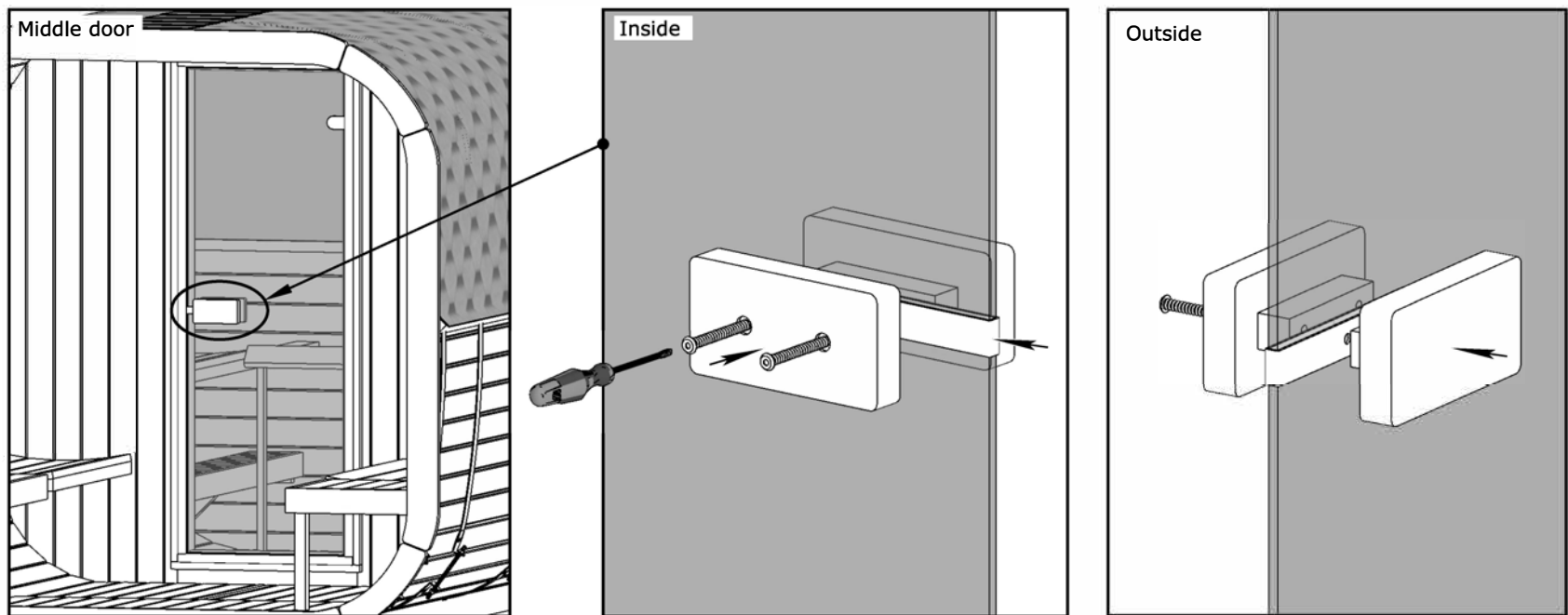
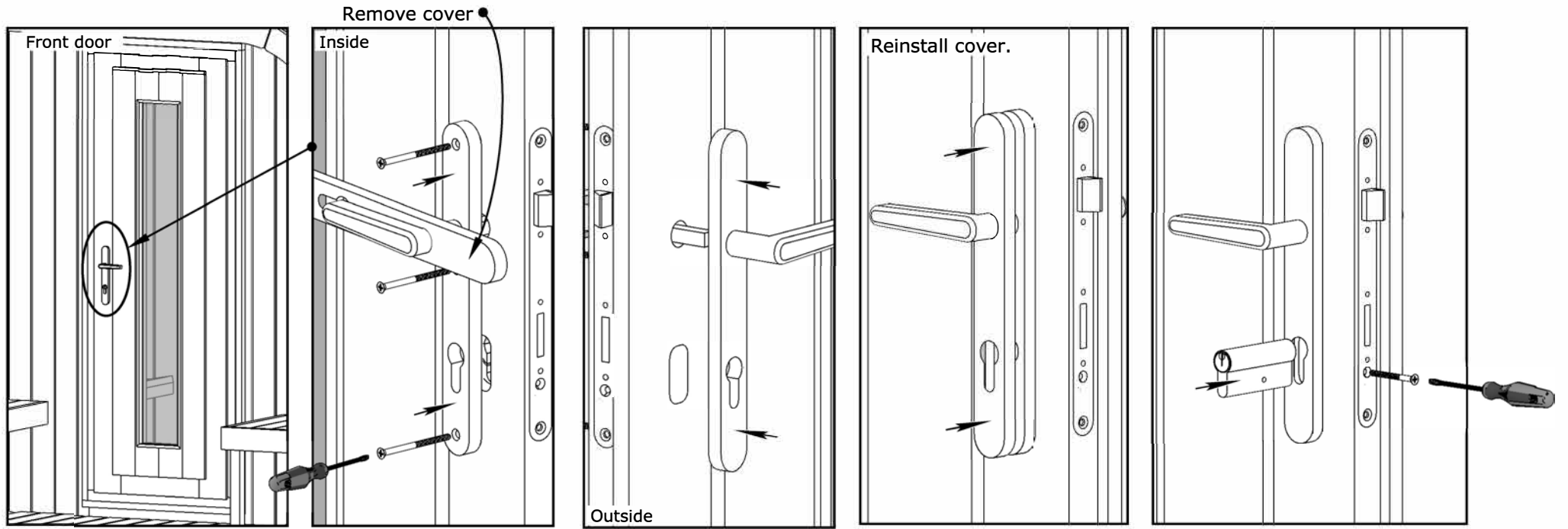


Leave small gap between boards.



Leave small gap between boards.

# CL12GCP Outdoor Sauna 152D" x 91W" x 93H"



## Installation Instructions

When building a wooden product, it is important to follow all installation instructions to ensure the quality and durability is guaranteed.

### Important!

Identification number of the Product / Serial Number: **123456789**

**Must be accompanied by the serial number to identify the product.**

#### General Installation

- **Careful handling:** Treat all wooden parts with care during assembly to avoid scratches or friction.
- **Level foundation:** Ensure the sauna sits on a stable, level foundation for proper door and window operation. Ensure the base has enough stability to support the sauna.
- **Proper drainage:** Avoid constant water exposure to wooden materials.
- **Electrical and plumbing:** Hire qualified professionals for electrical work, including heater and lighting installation.
- **Wood treatment:** To ensure optimal performance and longevity of your Sauna, proper wood treatment is crucial. We strongly recommend treating all wooden components with a wood preservative. This includes unfinished skirting boards, if applicable, which should be treated immediately upon assembly.

## Wood Protection and Maintenance

- **Protective coating:** Apply a wood preservative at least once a year (or more often) to improve resistance to dirt and moisture, make cleaning easier, and extend the lifespan of the product.
- **Adjusting wick condition:** Check and adjust the condition of the sauna's wicks (if applicable) a few times a year.

## Sauna Heater and Stones

- **Heater and chimney installation:** Follow the manufacturer's instructions for heater and chimney installation.
- **Adjusting Metal Sauna Straps:** Check and adjust the metal sauna straps (if applicable) a few times a year.
- **Cleaning heater stones:** Wash new stones before placement to remove dust and chemicals.
- **Stone placement:** Arrange stones according to the manufacturer's instructions, ensuring heating elements are not exposed.
- **First heating:** The first heating must take place under supervision for two-hours to a temperature of about 210°F. The sauna must be well ventilated both during and after heating. This allows the wood to absorb finishing materials and form a protective layer.

## Sauna Use

- **Firewood:** Use dry firewood up to 12" long for wood-burning heaters.
- **Water Throwing:** Throw water only on the heater, not on walls or benches.
- **Swimwear:** Avoid wearing swimwear in the sauna to prevent damage to the benches from dripping water.
- **Seating comfort:** Consider using seating pads for increased comfort on hot benches.
- **Cracked stones:** Check the heater stones regularly, as they can crack over time. Replace or add stones as needed.

## Sauna Cleaning After Each Use

- **Wipe down benches:** Use a clean, damp cloth to wipe down the benches. Do not use running water to clean the bench or other wooden surfaces.
- **Cleaning products:** Use suitable cleaning products specifically designed for sauna benches and other wooden parts.
- **Drying and ventilation:** After cleaning, allow surfaces to dry completely and ensure proper ventilation. Run the heater for at least 30 minutes with the vent open and door/windows closed.

## Sauna Maintenance - Yearly

- **Wood treatment:** Re-treat wooden surfaces with a suitable product, especially for frequently used saunas.
- **Cleaning surfaces:** Clean all surfaces with a soft brush/cloth and a designated cleaning agent according to the product's instructions.

- **Heavy stains:** For stubborn stains, lightly sand the area before re-treating with wood preservative.
- **Avoid unsuitable products:** Avoid paints, varnishes, harsh disinfectants, or pressure washers, as these can damage the wood.
- **Hardware checks:** Inspect bench and support mountings. Tighten loose screws if necessary, as wood can loosen due to heat and moisture fluctuations.

### What to Avoid in Your Sauna

- **Drying textiles:** Avoid drying textiles in the sauna due to fire hazards and potential wood damage from excessive moisture.
- **Excessive heat:** Don't exceed the maximum temperature specified by the heater manufacturer to prevent fire hazards and wood warping.
- **Cleaning methods:** Avoid using pressure washers or excessive running water, as this can permanently damage the wood structure.

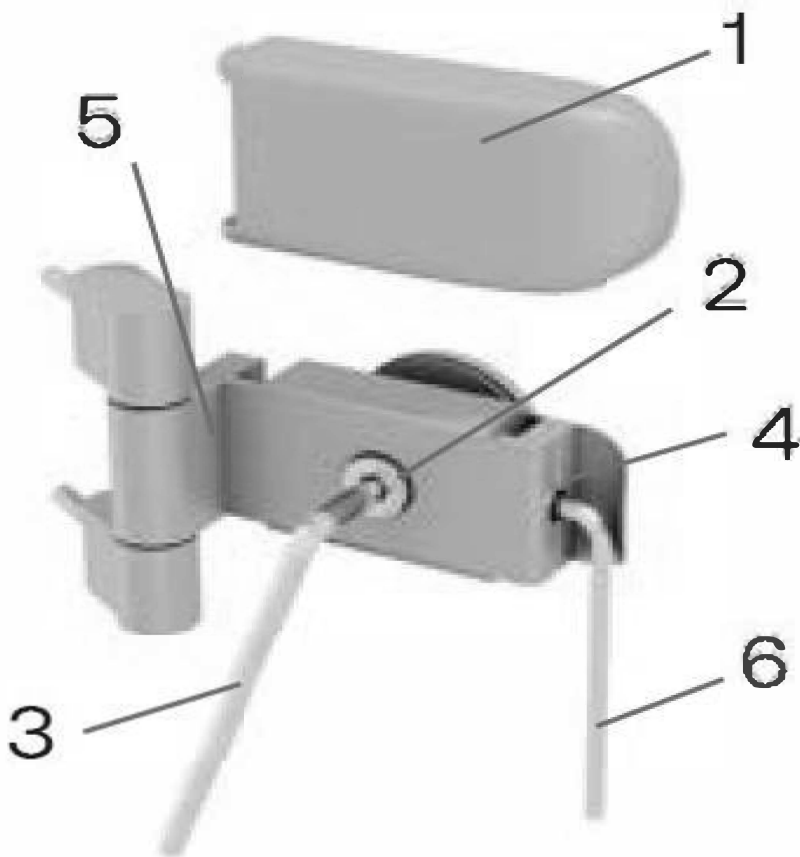
### Wood Characteristics in Saunas

- **Natural changes:** Wood is a natural material that may crack or warp slightly due to temperature fluctuations. This is normal in saunas with extreme temperature and humidity changes.
- **Deformation factors:** The risk of wood deformation depends on the material, usage intensity, and is more noticeable with wider boards.
- **Darkening wood:** Wood in areas exposed to hot steam may darken over time.
- **Wood Smell:** Thermally treated wood has a characteristic smell that diminishes over time but does not completely disappear. In a sauna, the smell weakens faster if it is heated for a long time and aired at the same time. The smell is softened by treating the wood with a suitable wood oil or wood care product. Do not wash untreated thermal wood with water, as this will make the smell stronger.

## Door and Window Maintenance

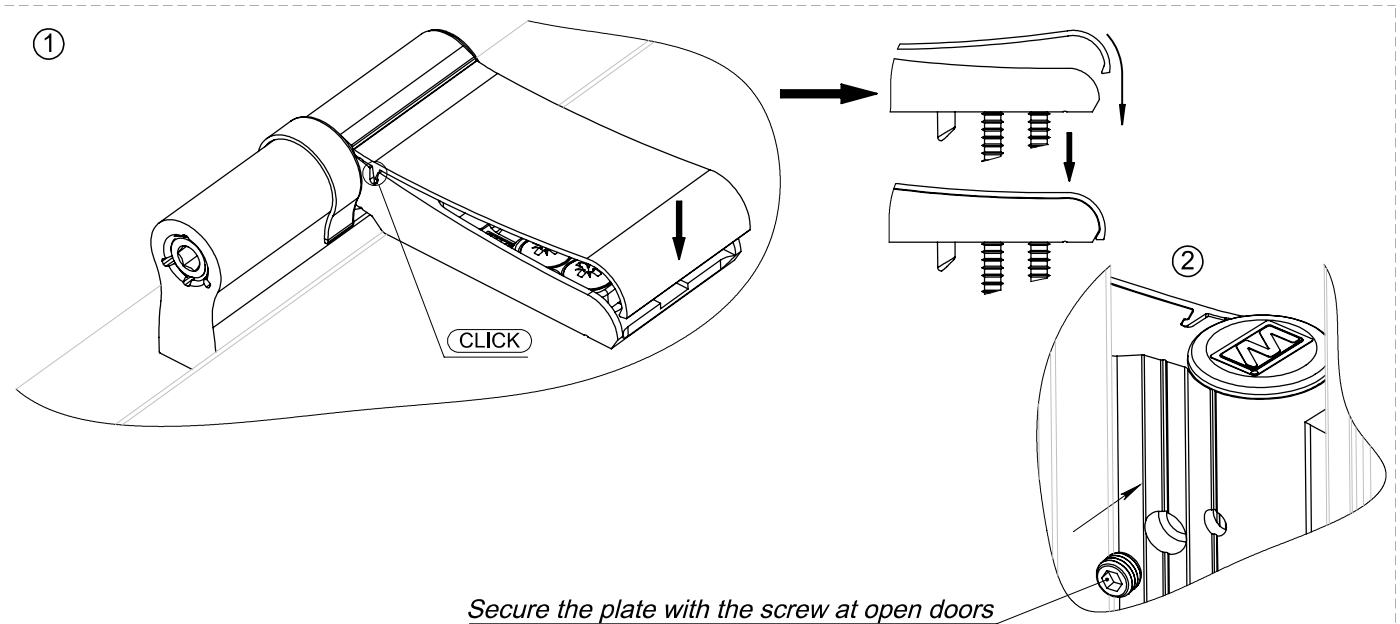
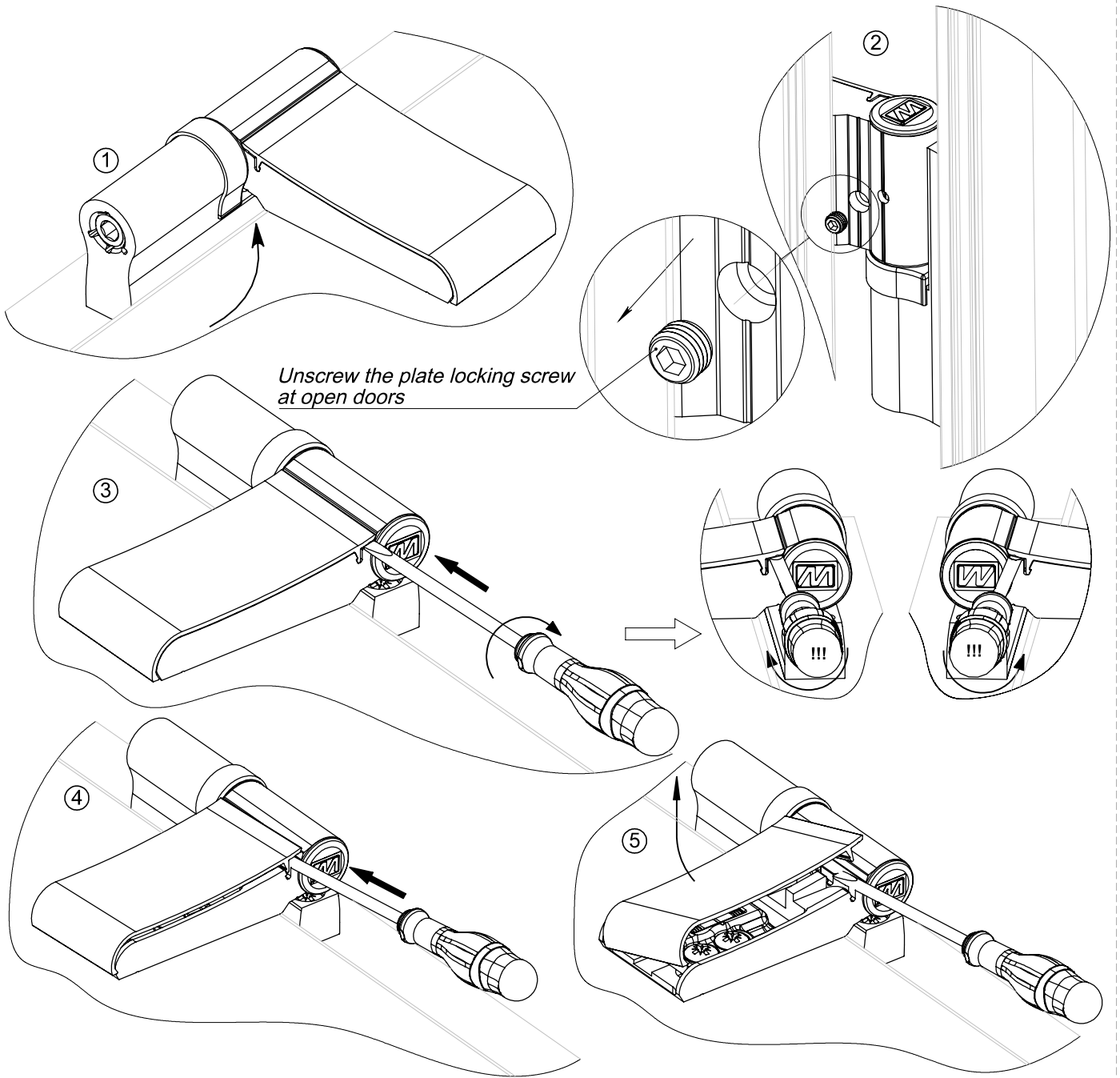
- **Regular checks:** Regularly inspect window and door hinges and locks. Tighten loose components and lubricate as needed.

### • DOOR ADJUSTMENT INSTRUCTIONS

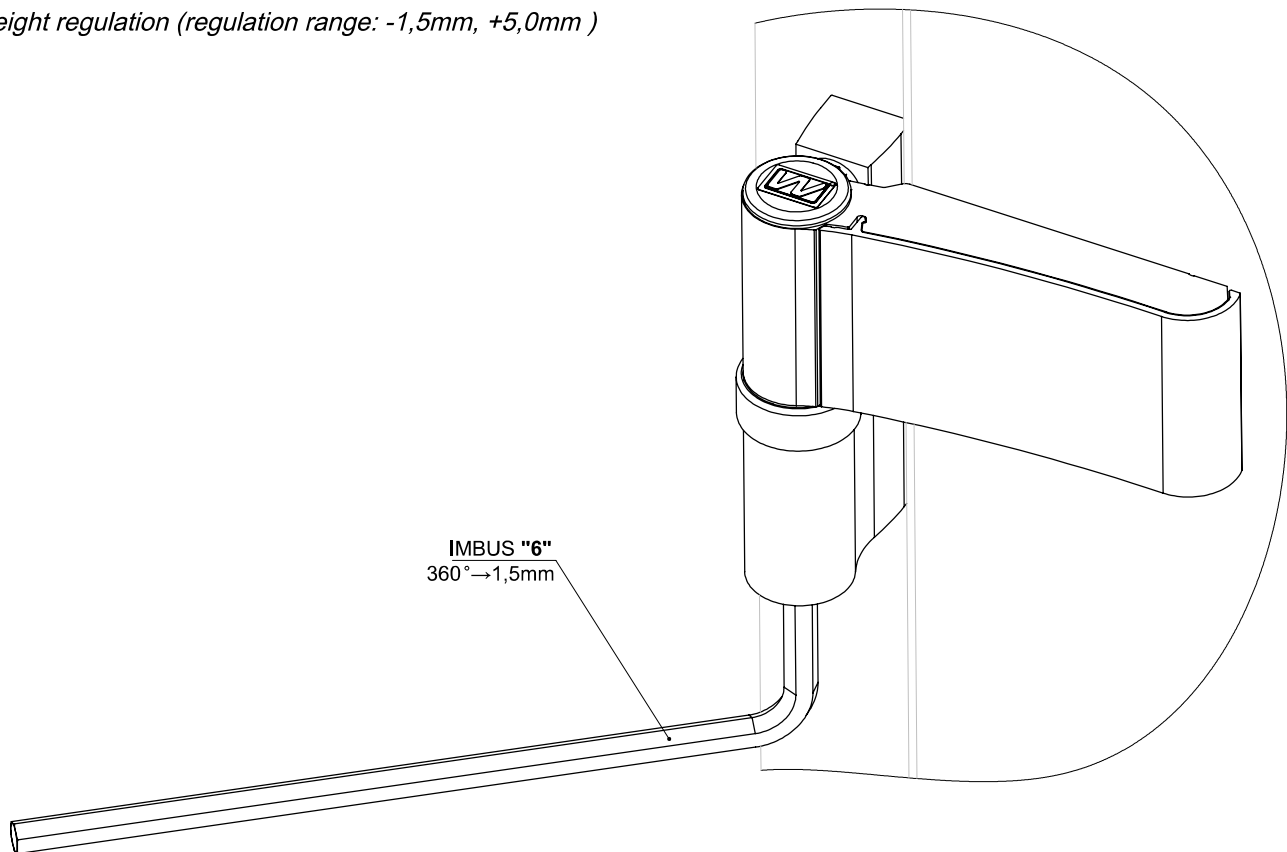


- You will need 3-mm (6) and 5-mm (3) hexagon keys for adjusting the hinges. Remove the plastic covers from the hinges (1). Loosen the fixing screws (2) one turn (do not remove the glass). If needed, the door can be shimmed up a bit from here vertically. If it needs to be adjusted left or right, turn the screws (4 & 5) as required. If one screw is turned counterclockwise, the other must be turned clockwise. Make sure both screws are tight when you have completed this step. Then tighten the fixing screws (2) when adjusted.

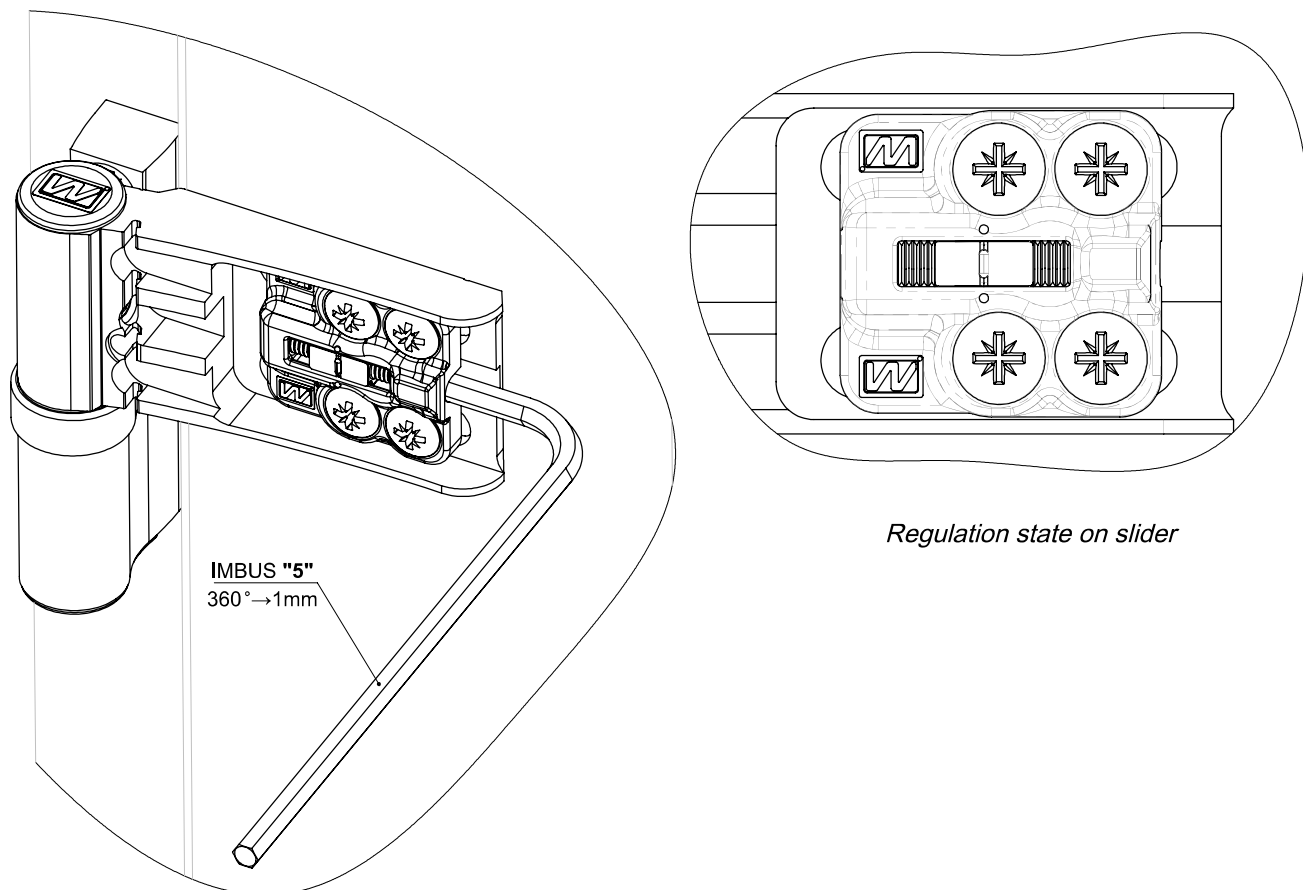
**Assembly / disassembly cover plate:**



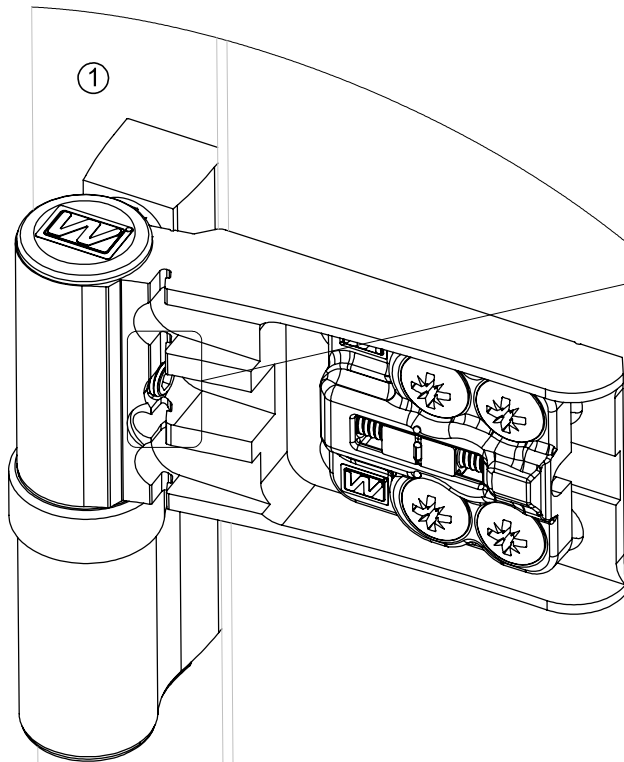
Height regulation (regulation range: -1,5mm, +5,0mm )



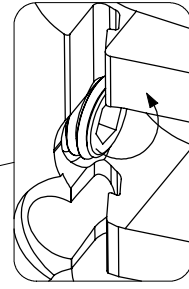
Left / right adjustment (regulation range:  $\pm 5,0mm$  )



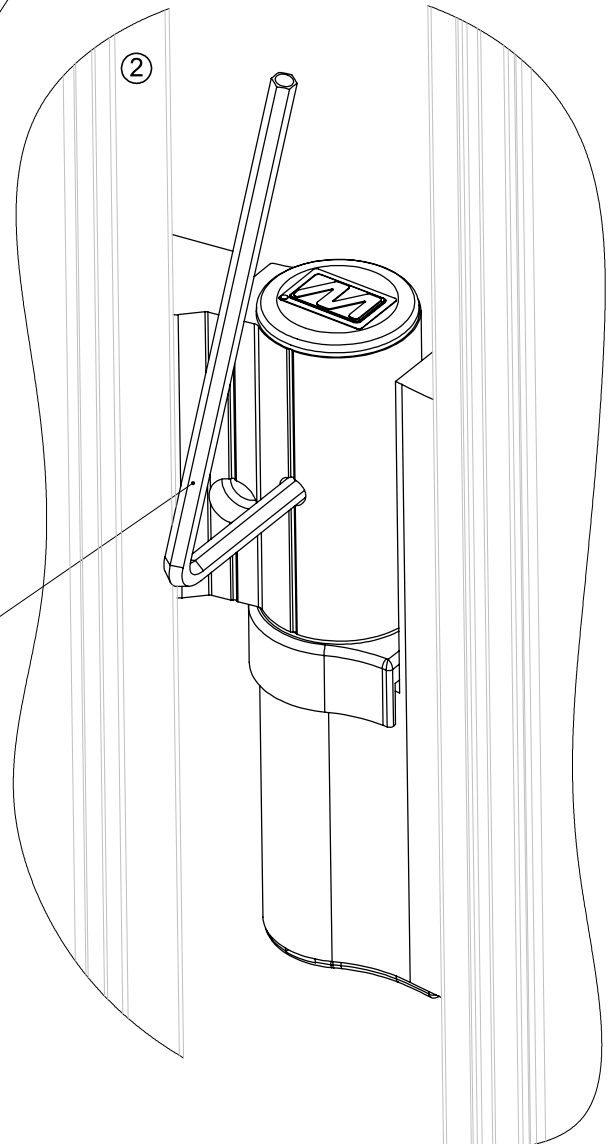
Seal / height of profile adjustment (regulation range:  $\pm 3,0\text{mm}$  )



①



*Ease up on screw !!!*



②

IMBUS "3"  
360° → 1mm

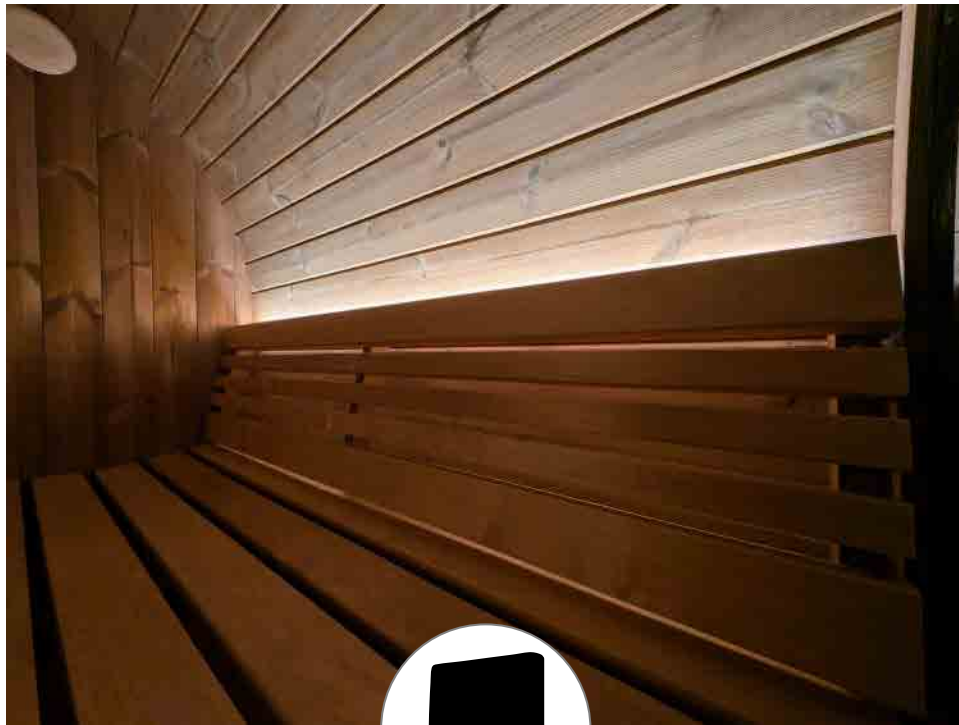
*Access to adjustment is possible after opening the door*

*After regulation do not forget to tighten screw from step ① !!!*



Live the Sauna Life!

# Sauna Led Light System



White Led

Installation and Operation Manual

# SAFETY & WARNINGS



## PLEASE READ THIS MANUAL IN ITS ENTIRETY PRIOR TO INSTALLATION

- **Qualified Personnel Only:** Installation of this system must be performed by a certified electrician, following all national electric code and local building code requirements.
- **Equipment Protection:** The driver, power supply, and control unit must be installed in a location that is completely protected from moisture, rain, and inclement weather.
- **Temperature Considerations:** Please refer to the specifications on page 5 to determine the maximum temperature rating of each component. Do not install any components in areas that exceed the maximum temperature limits, as this will lead to product failure and void the warranty.
- **LED Sauna Heater Clearance:** Maintain a safe distance between your LED lights and the sauna heater. Avoid directly installing the lights above the heater or within 20 inches of its sides.
- **Control:** If installing inside the sauna, the RF Control must not exceed 131°F. Maximum installation height is 30" from sauna floor and minimum of 36 inches away from the sauna heater.
- **Light Placement:** Carefully consider the placement of your LED lights to avoid shining directly into bathers eyes. A diffused or indirect lighting approach is recommended.
- **Uncoil Before Powering:** Do not power on the LED light while it is coiled on the spool. Unwind completely before connecting to power.
- **Avoid Damage:** Do not fold or twist the LED light, as this may damage the LEDs and cause malfunctions. Refer to page 4 for LED Handling.

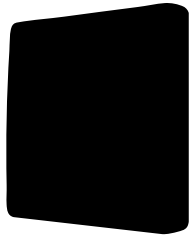
## Electrical Requirements

Always disconnect power from the system at the circuit breaker before performing any electrical installation or maintenance.



- **Power Source:** The lighting system requires a 120VAC power outlet.
- **Qualified Electrician:** A qualified electrician must determine the appropriate electrical outlet type, box configuration, and wiring to ensure compatibility and safety.
- **Electrical Safety:** Using incorrect voltage or improper electrical connections can damage system components and void warranty.

# PACKAGE CONTENTS



**Dimming Remote**  
(qty. 1)



**RF Driver / Receiver**  
(qty. 1)



**Power Supply**  
(qty. 1)



**2-Pin 4-Way Light Cable**  
(qty. 1)



**2-Pin 30' Light Cable**  
(qty. 1)



**AC Power Cable**  
(qty. 1)



**Mounting Clip + Screw**



**Led Light**

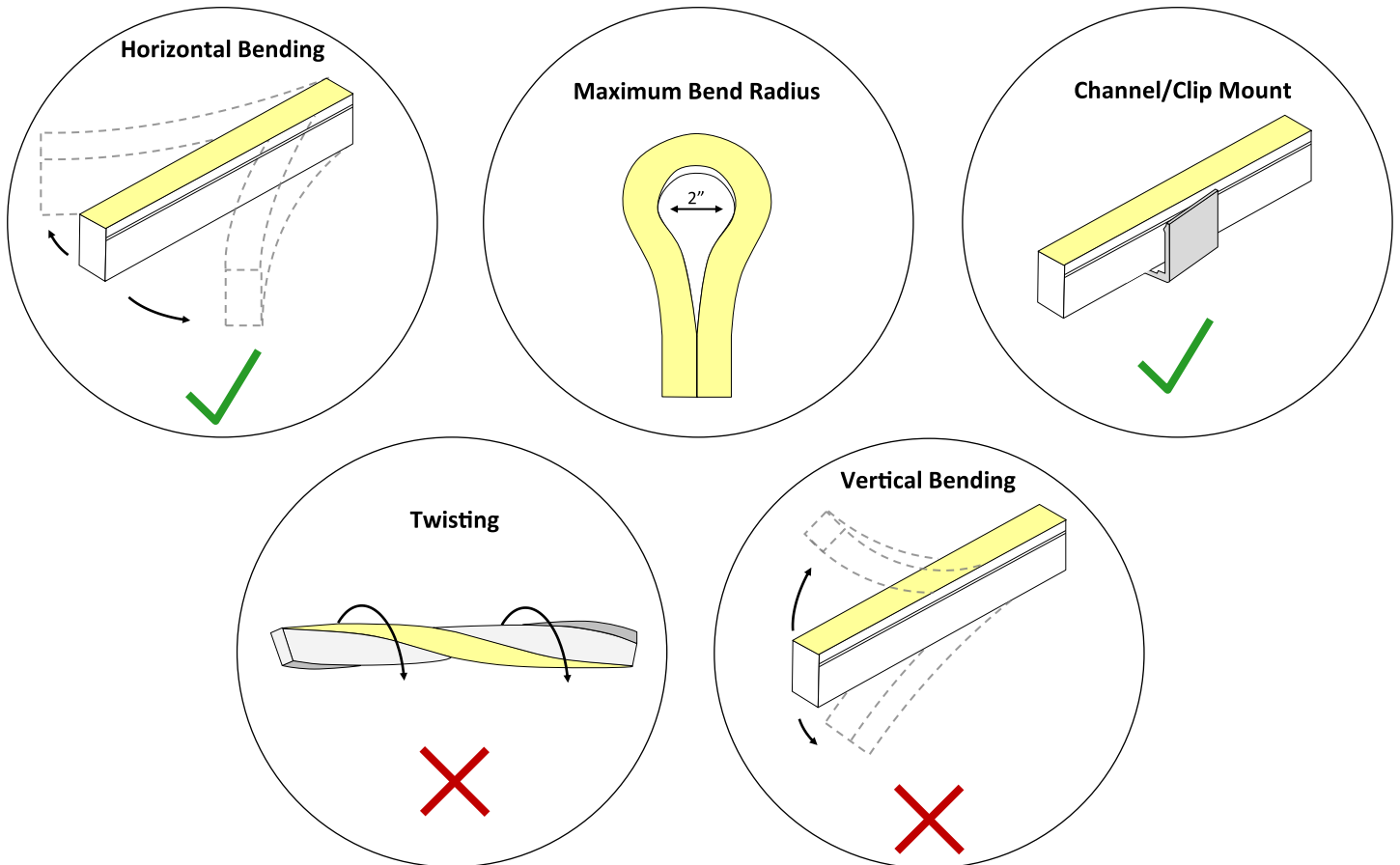
**Optional 5ft Mounting Channel**  
(purchased separately)



# LED HANDLING

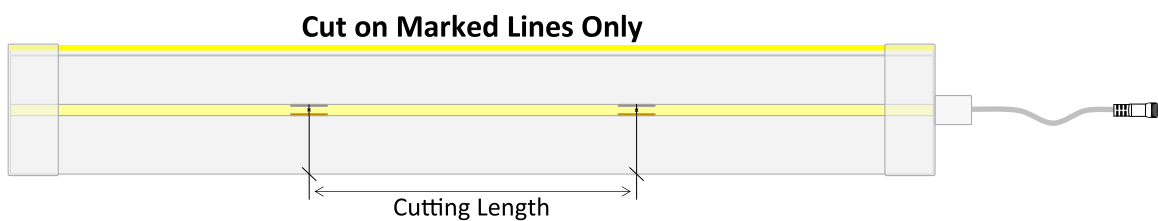


## HANDLE LED LIGHT WITH CARE!



### Cutting Flexible LED Neon

- If needed LED Neon can be cut to length.
- Determine the length of LED needed for the installation location.
- Using sharp cutters or scissors cut at closest cut point to the length needed, see diagram below.  
**Note:** Cut only on marked lines. Cut-off section can be discarded.
- After cutting, apply silicone to the cut end and install new end cap.



# SPECIFICATIONS



## Driver/Receiver

Operating Voltage: 24VDC  
 Rated Out Current: 9A  
 Output Voltage: 24 VDC  
 Max Output Power: 200W  
 Operating Temp: -4°F - 131°F  
 Dimensions: 3.75"L x 1.72"W x 1.21"H  
 Light Capacity: 4 Lights / 25'  
 IP Rating: IP20  
 Certifications: CE, EMC

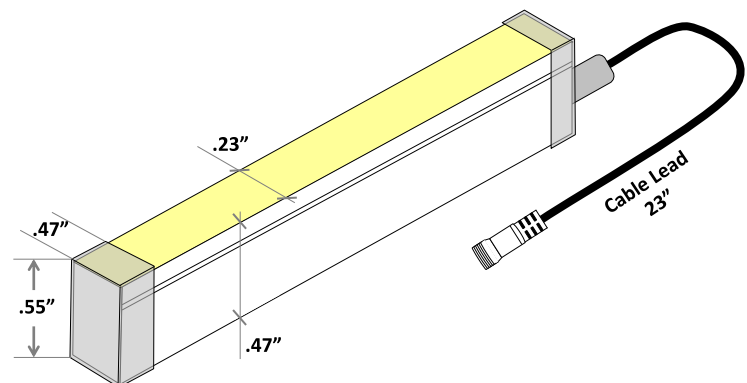
## RF Remote Single-Zone Dimming

Output Signal: RF (433MHz)  
 Operating Voltage: Self Powered (No Battery)  
 Operational Life: 200,000 Switchings  
 Dimming Range: 1% - 100%  
 Signal Distance: 100FT  
 Dimensions: 3.38"L x 3.38"W x .65"H  
 Operating Temp: 14°F - 104°F  
 Zones: 1 Zone Single Color  
 IP Rating: IP67  
 Certifications: CE

## Power Supply

Input Voltage: 120 VAC  
 Output Voltage: 24 VDC  
 Rated Power: 90W  
 AC Current: 1.3A  
 DC Current: 3.75A  
 Operating Temp: -22°F - 158°F  
 IP Rating: IP20  
 Certifications: UL, CE, FCC

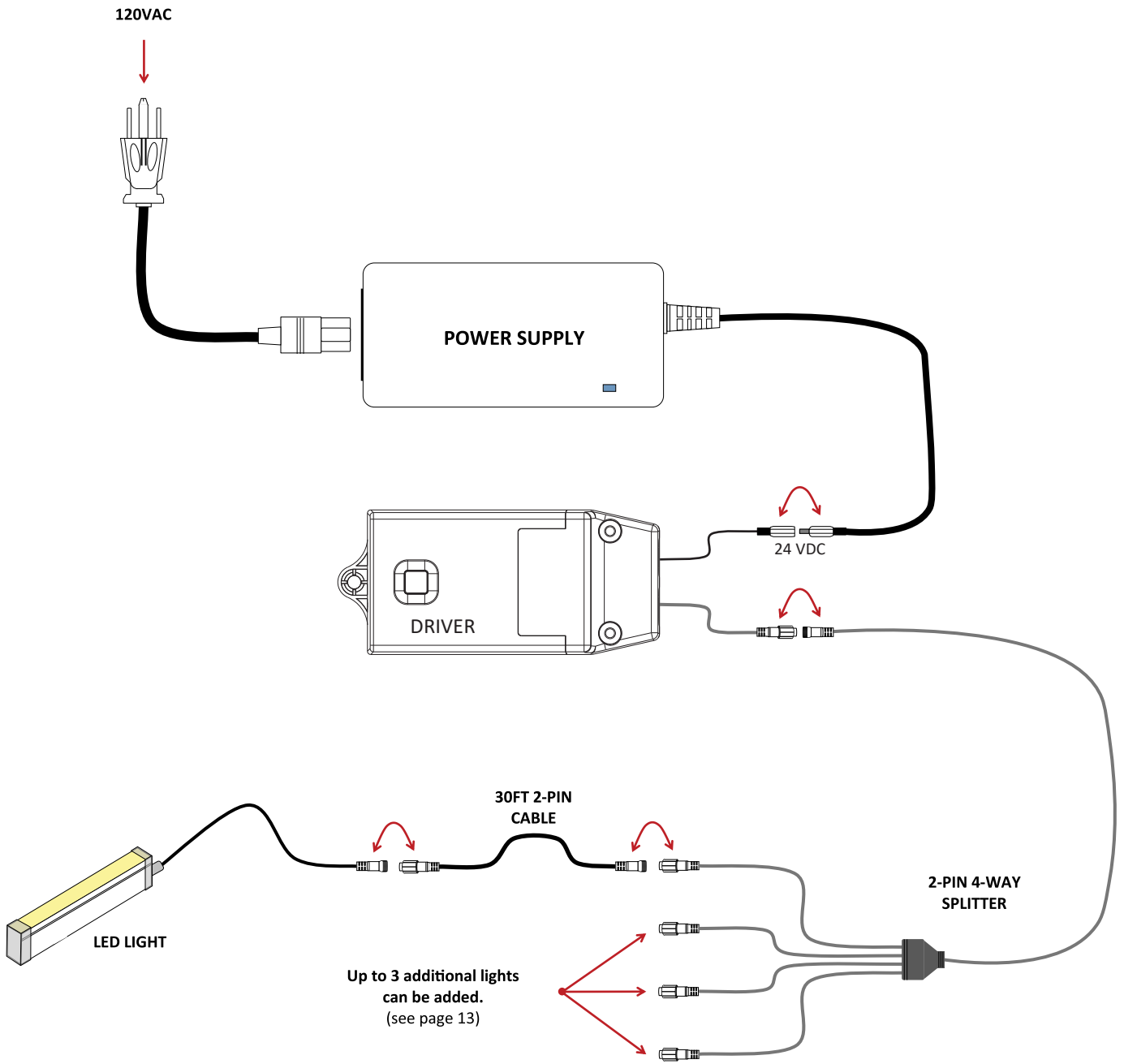
White Led					
Operating Temp: -13°F to 200°F		Max Run: 4 Lights / 25 Linear Feet		IP Rating: IP67	
Length	Operating Voltage (VDC)	Wattage	Lumens	Kelvin Temperature	Certification
4FT	24 VDC	12W	396	3500K	ETL / SGS
5FT	24 VDC	15W	495	3500K	ETL / SGS
6FT	24 VDC	18W	594	3500K	ETL / SGS
7FT	24 VDC	21W	693	3500K	ETL / SGS



# CONNECTION DIAGRAM



## Lighting System Connection Overview



# INSTALLATION



## STEP 1. Mounting Driver:

- **Location:** Choose a dry and accessible location for mounting the RF Driver/Receiver.
- **Mounting:** Secure the Driver/Receiver to the surface using one screw.

### Important Considerations:

#### Sauna Installation:

- Verify the Driver's maximum operating temperature is not exceeded in the sauna environment.
- Maintain a minimum distance of 3 Feet from the sauna heater.

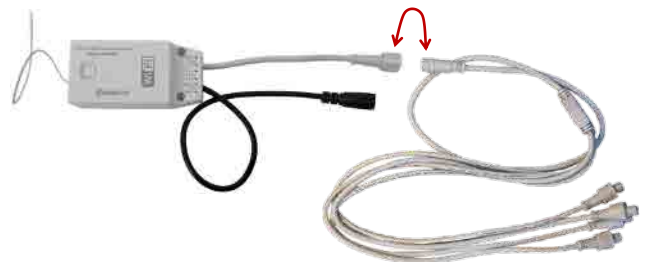
#### Outdoor Installation:

- Enclose the Driver/Receiver in a weatherproof enclosure for complete protection from the elements.



## STEP 2. Connecting 4-Way Cable

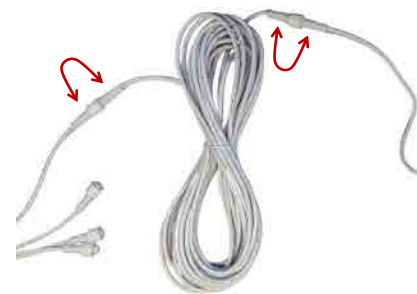
- Locate the 2-Pin 4-way cable and connect the single end to the 2-Pin Pigtail cable on the Driver.



## STEP 3. Run Light Cable

- Run the light cable from 4-Way cable to LED light.
- Connect one end of the light cable to the 2-Pin 4-Way cable.
- Connect the other end of the light cable to the pigtail on the light fixture.

Note: Repeat this step if installing more than one light.



## STEP 4. Connect Power Supply

- Locate the Power Supply. Plug the DC lead into the DC pigtail from the Driver.
- Plug the AC cable from the power supply into a 120VAC outlet.



# INSTALLATION



## STEP 5. Identify LED Install Location:

Identify location where the LED light will be installed.  
Common installation spots are:

- Backrest shining up or down
- Under bench
- Sauna Floor
- Exterior Sauna

## STEP 6. LED Mounting Clips

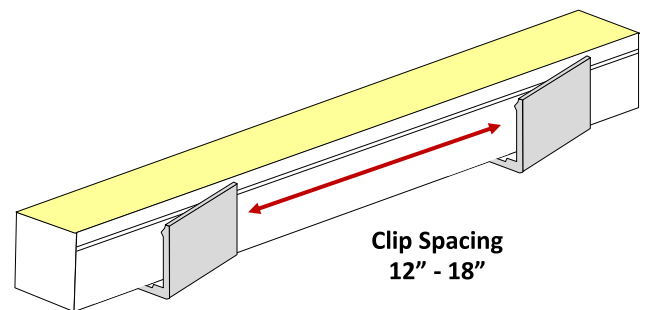
- Using the provided screws, attach the mounting clips to the mounting surface. Clips are provided with one screw each.
- If using your own screws, you will need a mini-mum size #4 x 5/8" screw to mount the clips.
- It is recommended that clips be mounted every 12" to 18" to support the LED light.
- Gently press the LED light into each clip.
- Follow the connection diagram on page 6 for LED wire connections.

**Note:** The images below show examples of clip installation. To remove the LED from a clip, gently pull up on the LED at each clip to release it. Avoid bending the LED, as this can damage the light.

## Important:

- The LED light should not be installed above or within 20" of sauna heater.
- "Always check the temperature at the intended installation location of the LED light to ensure it does not exceed the maximum operating temperature."

**Note:** It is recommended to run sauna without LED light installed and check the temperature at the intended installation location to get an accurate temperature reading.



# INSTALLATION



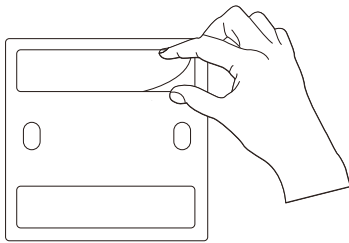
## STEP 7. Installing Control:

Identify location where the control will be installed. Follow steps below for mounting control on wall surface. Optionally control be used as a handheld rather than mounting on the wall.

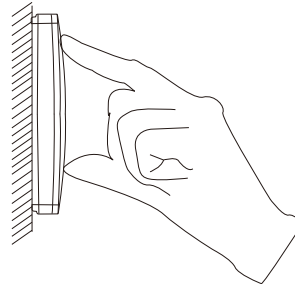
### Important Notes:

- If installing the control in Sauna it is recommended to install near the door and or opposite side of room as sauna heater.
- Do Not install control higher than 30" from the finished sauna floor or where operating temperature of control will be exceeded.
- Always check temperature at install location or control before installing and ensure it does not exceed maximum operating temperature rating for the control.

### Option 1: Wall Mount Using Adhesive

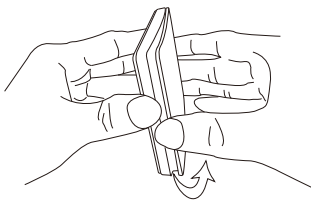


Apply provided double sided adhesive tape.

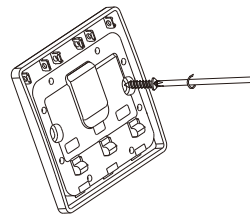


Align control and press onto surface. Hold for a few seconds to ensure tape holds.

### Option 2: Wall Mount Using Screws



Carefully open control.



Install on wall using wood screws.

# STARTUP & TESTING

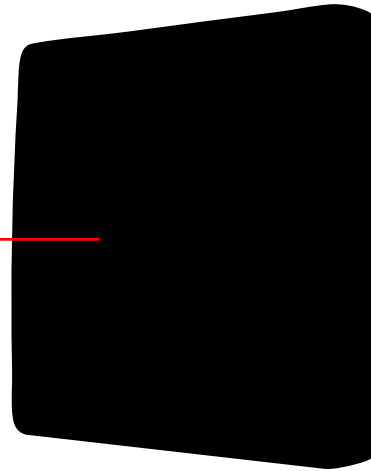


## Control Operation

See the image below for control operation. When installing the control verify maximum operating temperature of the control is not exceeded.

- Do not install control within 3ft of sauna heater.
- Do not install control higher than 30" off finished sauna floor.

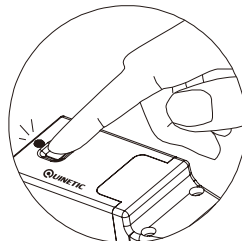
Press once to turn ON/OFF  
Press and hold to Dim/Brighten



## Driver & Control Programming

**Note:** The wireless control comes preprogrammed with the driver. Follow the steps below if programming is needed.

1. Press and hold the button on the driver for 3 seconds to enter program mode. The indicator light will flash slowly
2. Quickly press the control switch, the indicator light on the driver will go off indicating successful pairing.



Press for 3 seconds  
to enter program mode

**Note:** If you encounter any issues during startup and testing, proceed to the troubleshooting steps.

# Wi-Fi SETUP



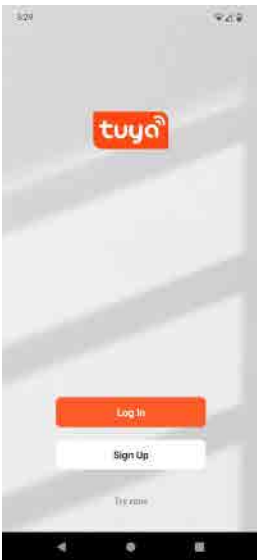
To set up Wi-Fi operation follow the steps below  
**Note:** The driver supports the 802.11 b/g/n 2.4 GHz Wi-Fi standard. The Wi-Fi Driver will not connect to a 5 GHz network. Installation steps below are for reference and may change or differ between iOS and Android versions.



On IOS or Android download the Tuya Smart App

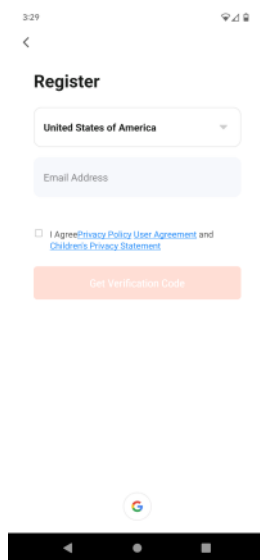
## Step 1

Open Tuya app and press Sign Up to create



## Step 2

Enter an email address to register an account



## Step 3

Check email and enter verification code



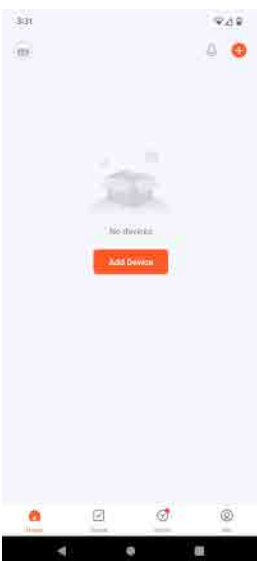
## Step 4

Create a password



## Step 5

Main screen press Add Device



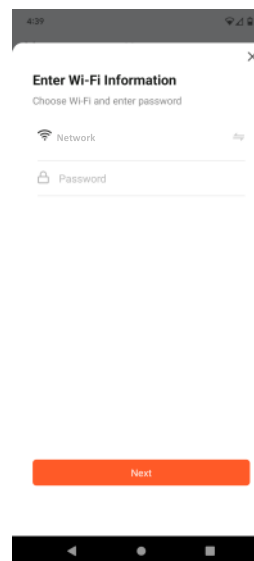
## Step 6

Press Add next to Discovering Devices



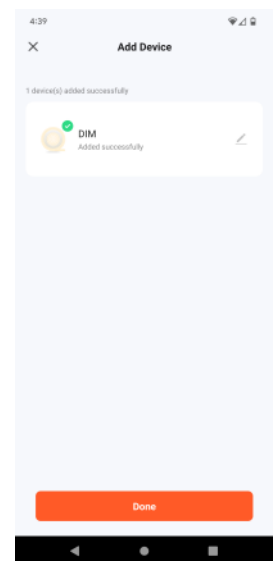
## Step 7

Select your Wi-Fi network



## Step 9

Device added successfully, press done to complete setup





# Troubleshooting

## No Power

- Verify that the electrical outlet has proper voltage.
- Check that all the power connections are secure and correct:
  - Power supply to the outlet
  - DC plug from the power supply to the driver

## Power but lights not turning on

- Check that the Pigtail cable from the Driver is securely connected and that wiring is correct..
- Check that 4-way light cable is secure and connected.
- Check that all 30' cables to the lights are securely connected.
- Verify each light functions by testing them directly to the Driver independently.

Note: To test an individual light, disconnect the 4-way light cable and connect the 30' cable directly to the Pigtail lead on the Driver, or connect the light directly to the Pigtail.

- Verify that control is paired with the Driver, (see page 10).

## Lights on, no function from Control

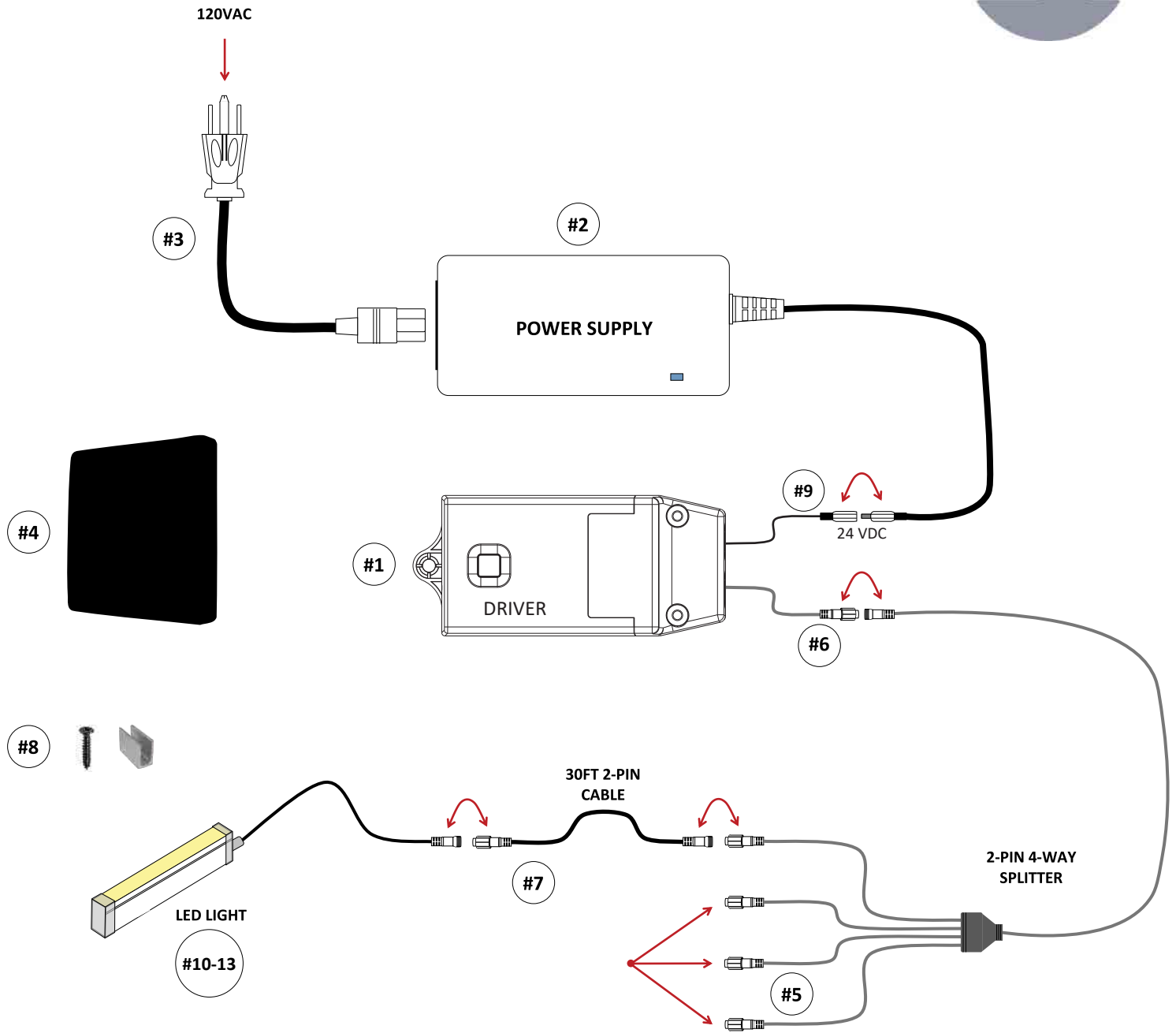
- Verify that Remote is paired with the Driver, (see page 10).
- Ensure that the distance from the Remote to the Driver is not more than 98 feet. If it is, relocate the Driver closer to the room.

## Resetting Driver

The Driver should not need to be reset under normal conditions. If a reset is needed, follow the steps below.

- Verify power to the Driver
- Press and hold the Match button for 10-15 seconds until the LED indicator goes out.  
**Note:** Resetting Driver will clear any paired remotes and require reprogramming, (see page 10).

# REPLACEMENT PARTS



Description		Part Number
#1	RF Driver	BP031198
#2	Power Supply/90W	BP031137
#3	AC Power Cord	BP031132
#4	Control Single-Zone	BP031199
#5	4-Way IP67 2-PIN Splitter	BP031075
#6	2-PIN IP67 Pigtail	BP031073
#7	2-Pin 30ft Cable	BP031077
#8	Led Light Mounting Clip + Screw	BP031165

Description		Part Number
#9	DC Pigtail Cable	BP031143
#10	48" White Led Light	BP031096
#11	60" White Led Light	BP031164
#12	65" White Led Light	BP031170
#13	75" White Led Light	BP031171



Technical Support  
(224) 253-5909

© 2025 Bathing Brands, Inc.

REV - 3.0\_12/2025



## **SAUNALIFE LIMITED WARRANTY**

SAUNALIFE extends this Limited Warranty solely to the original retail consumer purchaser of any SAUNALIFE sauna, barrel shower, or immersion tub purchased from one of its authorized resellers.

### **LIMITED WARRANTY**

SAUNALIFE warrants that its products shall be free from defects in workmanship under normal conditions of use and service for two years for residential applications after delivery to the original retail purchaser. This warranty is limited to making good any factory assembled component which in the judgment of SAUNALIFE is deemed defective in workmanship. The warranty does not cover normal material wear, user damage, natural weathering of the lumber, or installation or delivery of components and applies only to the original retail purchaser.

### **WARRANTY PERFORMANCE**

For any warranty service, SAUNALIFE reserves the right to choose, at its option, repair of the problem or a replacement of the defective part. SAUNALIFE reserves the right to substitute a part or component of equivalent value, either new or factory reconditioned, and any such repair or replacement shall assume as its warranty only the remaining portion of the warranty on the original product. In the event SAUNALIFE chooses to repair any malfunction or defect covered by this warranty, a return authorization will be issued, and the component will be returned prepaid freight to SAUNALIFE for repair of the defect. SAUNALIFE will then ship the component back to the original retail purchaser upon completion of the repair. Prior to any return, contact SAUNALIFE at: SAUNALIFE, 511 Glenn Avenue, Wheeling, Illinois 60090, telephone number: (800) 957-2862, for packaging and shipping instructions and a return authorization number. In addition, SAUNALIFE will require photographs of any defect and reserves the right to inspect or designate an agent to inspect any part that is claimed to be defective and covered by this warranty. Labor charges and related expenses for removal, installation, or replacement of the product or component are not covered under this warranty. Normal wear and tear, cosmetic issues or changes to individual pieces of lumber due to natural aging and weathering are not covered. Sauna heaters and added components are not covered by this warranty.

### **ACTS INVALIDATING WARRANTY**

This warranty is void if the SAUNALIFE product has been subject to alteration, misuse or abuse, commercial use, or if any repairs on the sauna are attempted by anyone other than an authorized representative of SAUNALIFE. Alteration shall include, but is not limited to, deviation from the original assembly instructions, component change, or the addition of any non-approved device or heating system, which contributes to a component or unit failure, or unsafe operating system. Use of equipment in an application for which it is not designed will void this warranty. This includes, but is not limited to, damage caused by operation above safe operating temperatures, damage caused by added components, damage caused by harsh chemicals, damage caused by movement of the product, and damage caused by acts of God.

### **DISCLAIMERS**

The Warranty does not cover naturally occurring and expected characteristics of wood materials (differences in wood grain, knots, slight variations in tone) and phenomena that occur naturally during use of the Product (shrinkage and expansion due to temperature and humidity, moderate deformation) and the visual disturbances they may cause, nor defects (including transport damage) that would have been detectable by visual inspection prior to installation of the Product. Except as expressly provided above, SAUNALIFE makes no other representation or warranty, express or implied, either in fact or operation of law, statute, or otherwise, and SAUNALIFE specifically disclaims any and all implied or statutory warranties, including warranties or merchantability and of fitness for a particular purpose. SAUNALIFE shall not be liable for loss of use of the SAUNALIFE product or other incidental or consequential costs, expenses, or damage, which may include but are not limited to, the removal of or reinstallation of a wall, deck or other fixture, water leakage, costs of shipping or packaging, applicable taxes, or the payment of any costs or expenses of disassembly, removal, or reinstallation of the product or any part. Your rights may vary from state to state. Under no circumstances shall SAUNALIFE or its representatives be held liable for injury to any person or damage to any property, however arising, even if caused by the SAUNALIFE Sauna or its representatives' negligence. No distributor, salesperson, dealer, retailer, or other representative of SAUNALIFE has the authority to alter or change these warranties either orally or in writing.