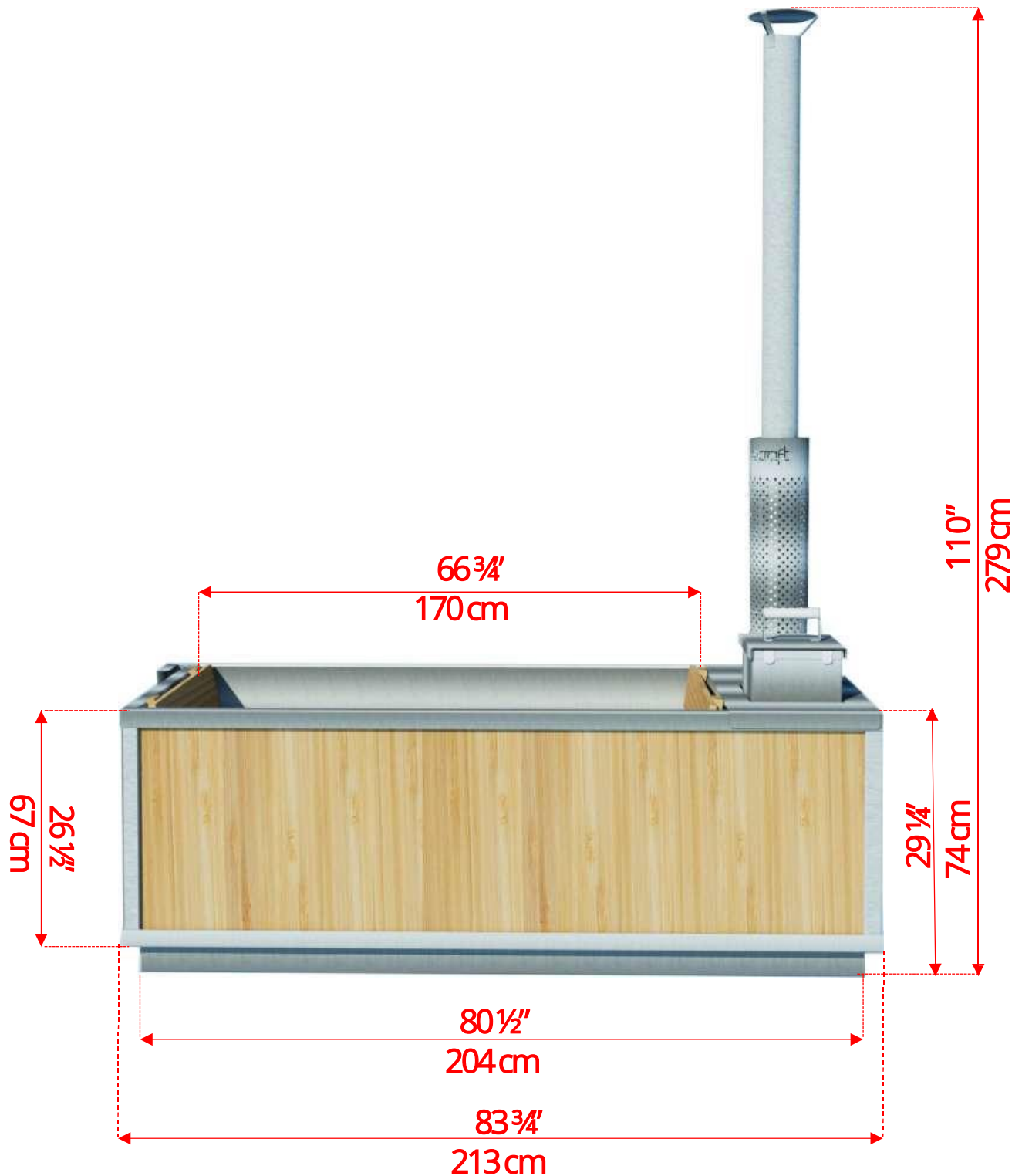


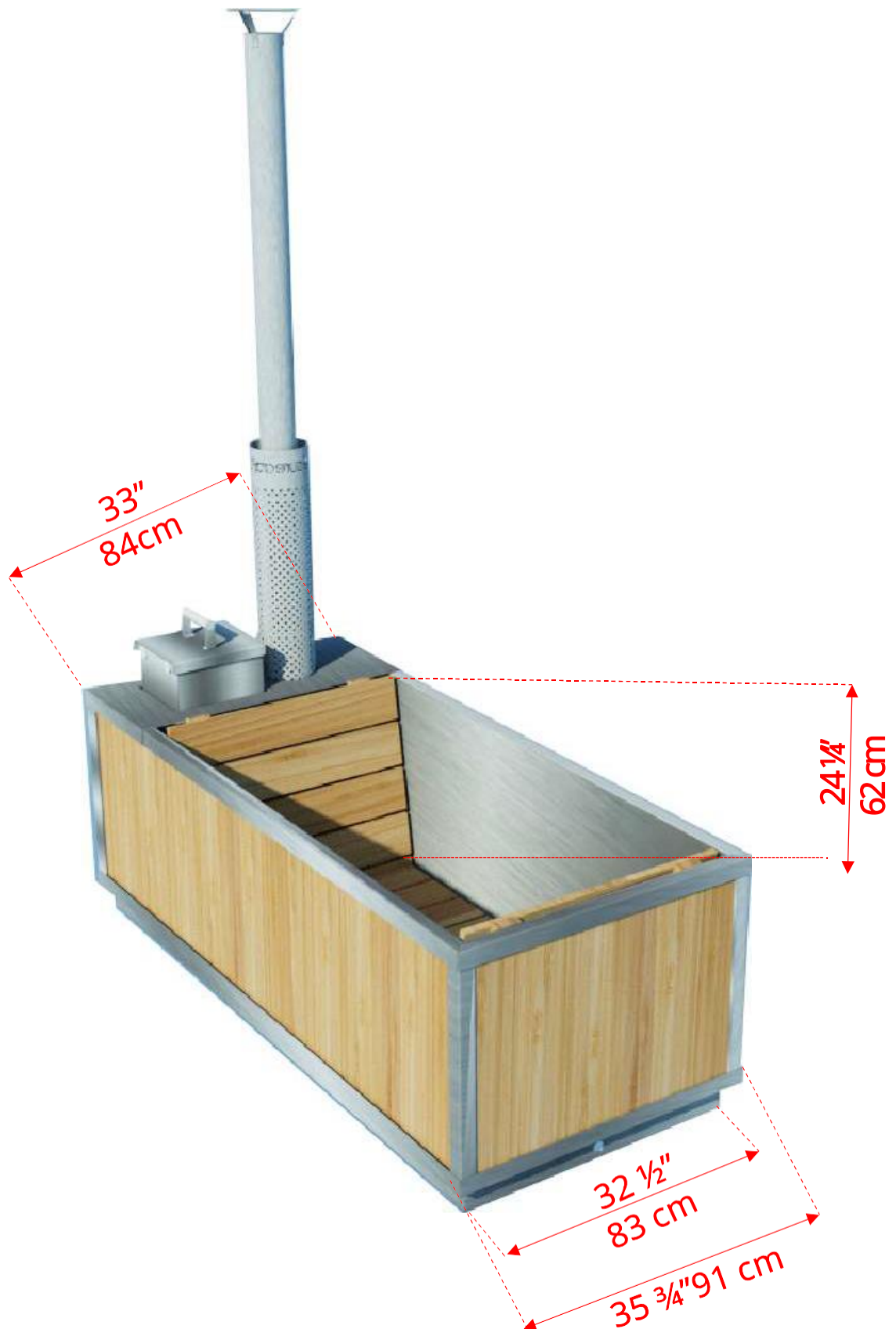
# CT372W

## The Starlight Wood Burning Hot Tub



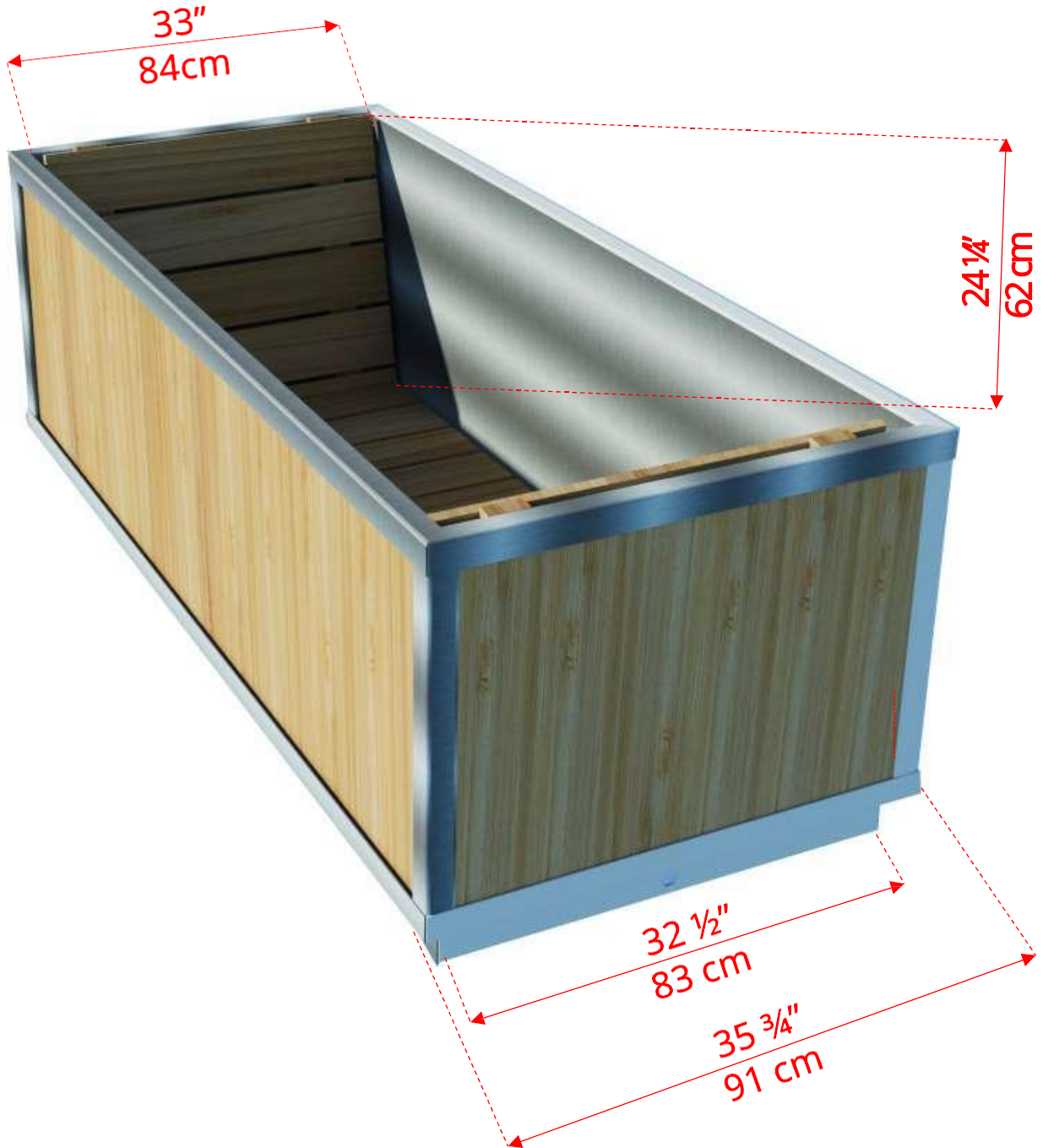
# CT372W

## The Starlight Wood Burning Hot Tub



# CT372W

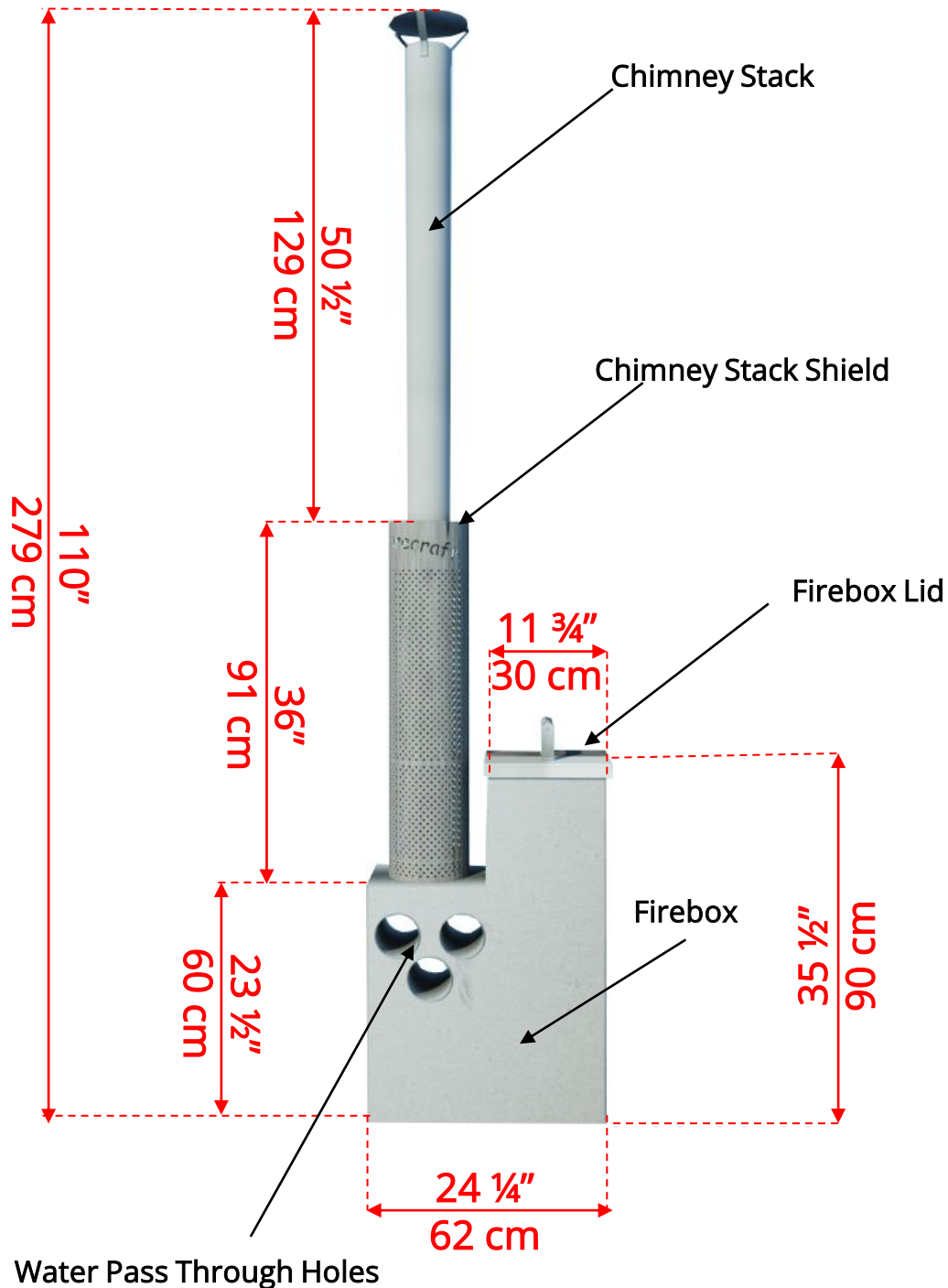
## The Starlight Wood Burning Hot Tub



730145

# Aluminum Inside Hot Tub Heater (Optional)

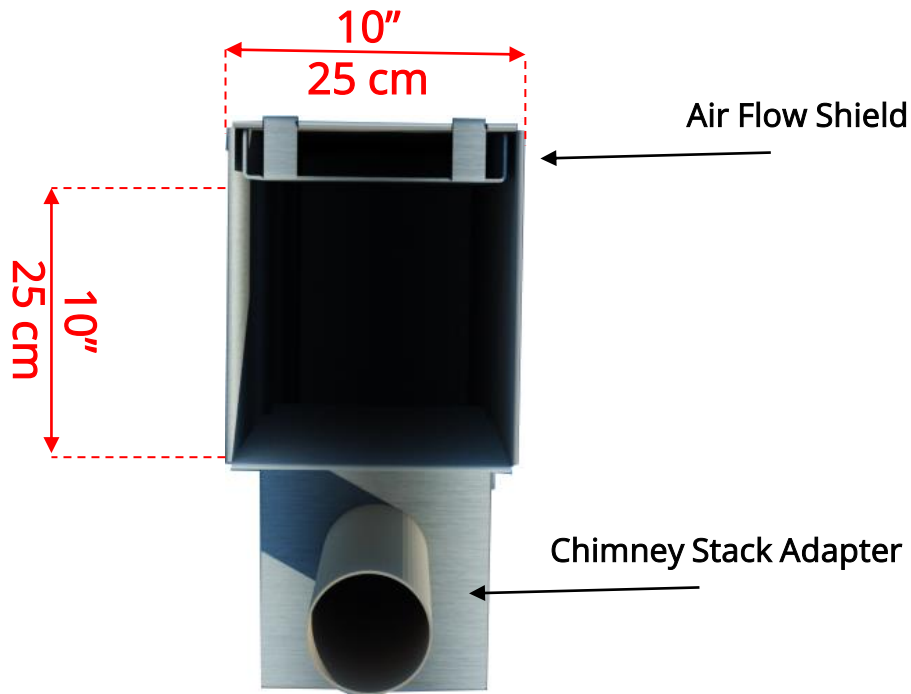
**Do not Operate Hot Tub Heater without Water in Hot Tub!**



730145

# Aluminum Inside Hot Tub Heater (Optional)

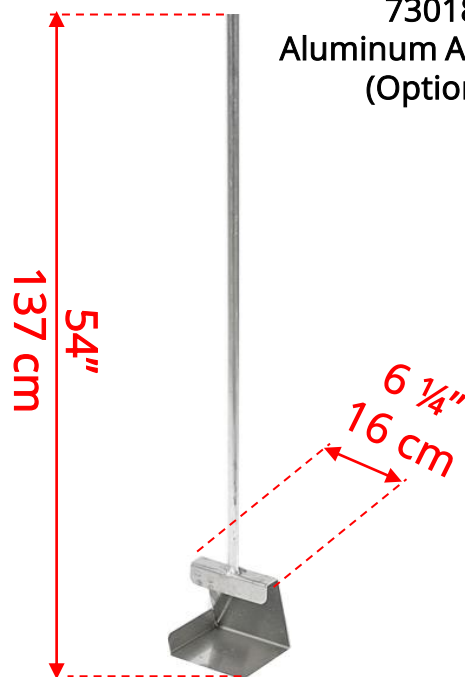
Firebox Opening – 10" (25cm) x 10" (25cm) x 35 1/4" (90cm) Deep



730184  
24" Canoe Paddle  
(Optional)



730185  
Aluminum Ash Scoop  
(Optional)





08/2023

# The Starlight Wood Burning Hot Tub Installation Instructions



**Requirements:**  
Adjustable Wrench  
Pipe Wrench  
Thread Tape  
Cordless Drill

Manufactured by:

Phillips & Robertson Driver Bits



tel: 888-923-9813 | info@leisurecraft.com | web: www.leisurecraft.com

# The Starlight Wood Burning Hot Tub Installation Instructions



To start the installation of The Starlight Tub, Place the tub in the desired location.



If you need to make the heater lighter for carrying, you can remove the 4 bolts on the heater and remove it.



Once you have the tub in the desired location, gently flip the tub on its side.

You can put down a blanket or towel to protect the side of the tub.



Locate the hardware for the drain assembly.

This will include the following;

- short Pipe
- Elbow
- Long Pipe
- Shut-off Valve
- Garden Hose Connector

Manufactured by:



# The Starlight Wood Burning Hot Tub Installation Instructions



Wrap 3 layers of thread tape around the threads on both ends of the short pipe.



Screw the short pipe into the elbow.



Screw the assembled pieces into the hole on the bottom of the tub.

Ensure the opening of the elbow aligns with the hole on the side of the tub.



Locate the hardware for the drain assembly.

This will include the following;

- short Pipe
- Elbow
- Long Pipe
- Shut-off Valve
- Garden Hose Connector

Manufactured by:



# The Starlight Wood Burning Hot Tub Installation Instructions



Wrap 3 layers of thread tape around the threads on both ends of the long pipe.



Thread the long piece of pipe into the elbow.  
This can be hand tight only at this time.



Remove the valve from the plastic packaging and thread it onto the end of the long pipe.



Using a pipe wrench or adjustable wrench, tighten the valve.  
This will also tighten the long pipe into the elbow.  
Have the handle of the valve facing in your desired position when tight.

Manufactured by:



# The Starlight Wood Burning Hot Tub Installation Instructions



Flip the tub back to the proper position.



Using a pipe wrench or adjustable wrench, tighten the garden hose connector (if ordered) onto the valve.



Reinstall the heater if it was previously removed.



Remove the protective film from the chimney.

Manufactured by:



# The Starlight Wood Burning Hot Tub Installation Instructions



Slide the chimney into the stove.



Slide in the first backrest.



Ensure the holes in the backrest are aligned with the holes in the bracket and insert the pins to secure.

Repeat at opposite end for the second backrest.



To install the roll up cover, secure the cover brackets onto the end of the tub opposite the heater and secure with 2 - 2 ½" (64mm) screws into each bracket.

Manufactured by:



# The Starlight Wood Burning Hot Tub Installation Instructions



Roll out the cover and align it to the edges of the tub.



Place a locking clasp onto one of the straps at the end with the heater and pull it snug.

Once in desired position, remove the strap and secure the clasp with 2 - ½" (13mm) screws.



Repeat the above process for the remaining 3 straps.



Use the provided key to lock and unlock the clasps.

Manufactured by:



# The Starlight Wood Burning Hot Tub Installation Instructions



Place the ash scoop brackets (if ordered) in the desired location ensuring they are level and secure with 2 - 1" (25mm) screws per bracket.



To assemble the 2-tier step (if ordered), place the top step upside down and a stair support on top.



Ensure the stair support is flush at the back of the step and secure with 2 - 2 ½" (64mm) screws.

Repeat for the second stair support.



Flip the assembled stairs right side up and then repeat the process to attach the bottom step.

Manufactured by:



# The Starlight Wood Burning Hot Tub Installation Instructions



Place the assembled stairs in the desired location next to the tub.



Ensure the drain valve is closed, fill the tub with water and enjoy!

**DO not Operate the Wood Heater without filling the Hot Tub with Water!**

**Enjoy Your Hot Tub!**



Manufactured by:



# The Starlight Wood Burning Hot Tub Installation Instructions

How to heat a wood fired hot tub

**DO not Operate the Wood Heater without filling the Hot Tub with Water!**

Operating a Leisurecraft wood fired hot tub is simple, but it takes practice to get the temperature exactly where you like it. Similar to lighting a fire, you'll need matches, kindling, paper, some bigger pieces of wood, and of course, a source of water and a hose to fill it.

Using a hose, fill your hot tub with water. Water isn't always abundant at off-grid properties, and we don't want to see it go to waste, so we recommend filling your tub from a natural water source if you have access to a lake, stream or pond. You can pump it from the source and re-use the water for the garden or watering the grass when your done with it or drain it back into the lake or stream (so long as you aren't using any chemicals)

Always fill the tub before lighting the fire, or you risk the firebox combusting, which can cause property damage, bodily injury, and a broken hot tub and heater. Once the tub is full of water, build a fire in the firebox by placing crumpled paper in the bottom of the heater, placing kindling on top of the paper, then adding small dry logs. Note that the wood should be very dry! Light the paper and leave the lid open to allow airflow. A draft will help establish the fire. Once the fire is established, add larger pieces of firewood, controlling the fire with the lid which acts as a dampener controlling the air intake. Check the temperature of the water and once it reaches 10 degrees within your desired bathing temperature (usually 101- 104 ° F) stop adding wood, put the lid on, and allow the temperature to rise on its own. Some wood fired hot tub heaters are more efficient than others, requiring more or less wood to establish and maintain the fire. Leisurecraft wood burning hot tubs don't face a challenge of getting hot, but rather, of becoming too hot, so stop adding wood before it reaches your desired bathing temperature to avoid overheating. If it does overheat, add some cold water with a hose and stir the water with a paddle to evenly distribute. Maintain the fire to keep the water at the desired temperature. Wood fired hot tubs are designed differently, with some models offering more heat efficiency than others. Leisurecraft wood burning hot tubs are designed to offer superior heat retention and will maintain their temperature throughout the day with just an armful of wood and will drop just 5-10 degrees overnight. Use a cover to help in reducing heat loss at night or when not in use. Put a log on in the morning while you drink your coffee, and by the time your finished eating your toast, it'll be back up to bathing temperature and ready to enjoy for the day. Leisurecraft wood burning hot tubs are designed intentionally with an internal wood heater for optimal heat properties and safety.

Manufactured by:





## WARRANTY

Dundalk LeisureCraft Inc. warrants our Canadian Timber Collection Cold Plunge Tubs against defects in materials and workmanship under normal/residential use for a period of one (3) years, as applicable, from the date of receipt of the product by the original end-user consumer.

This warranty does not apply to normal wear and tear and/or natural weather conditions. This warranty does not cover misuse or negligence and the manufacturer and associated retailers are not liable for any injury or damage caused by the product.

This warranty is a parts only warranty and any service or labor costs would not be considered as part of the 3-year warranty.

Purchaser Name: \_\_\_\_\_ Date: \_\_\_\_\_

Purchased From: \_\_\_\_\_

Manufactured by:

