

Model S4B Wood-Fired Hot Tub
Quick Guide

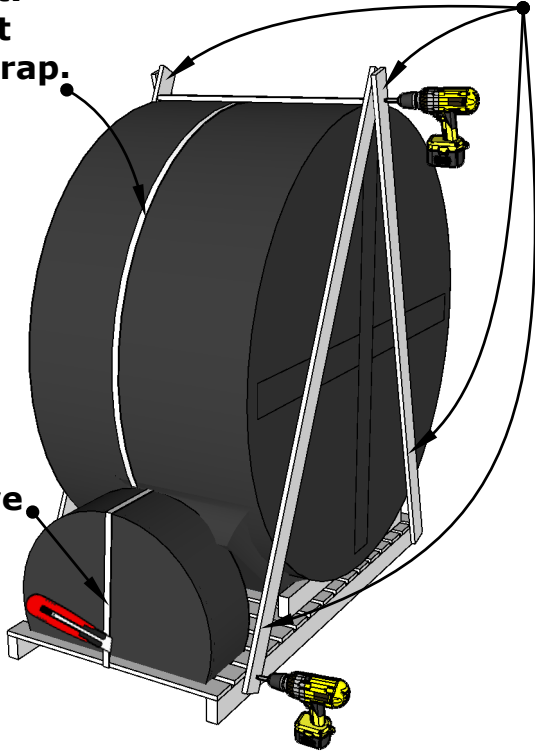
Serial No _____

I

Important!
Do not cut
hot tub strap.

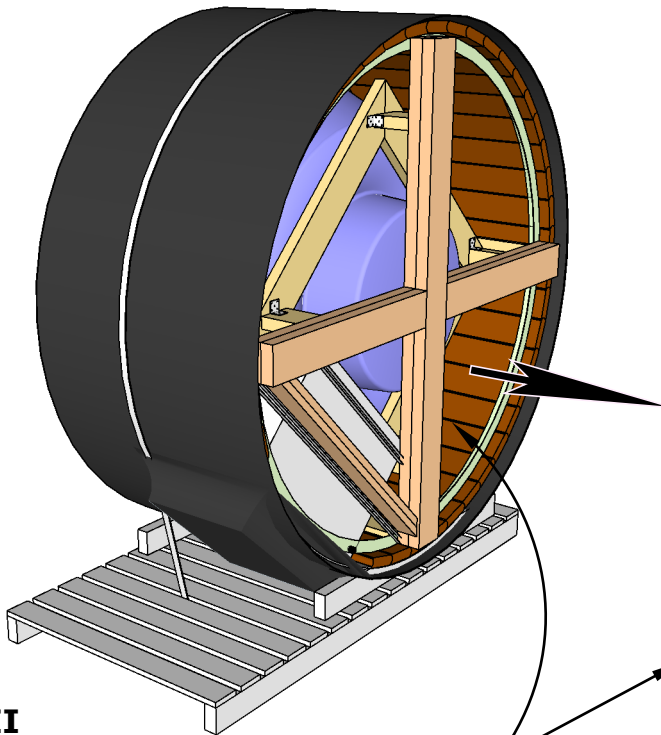
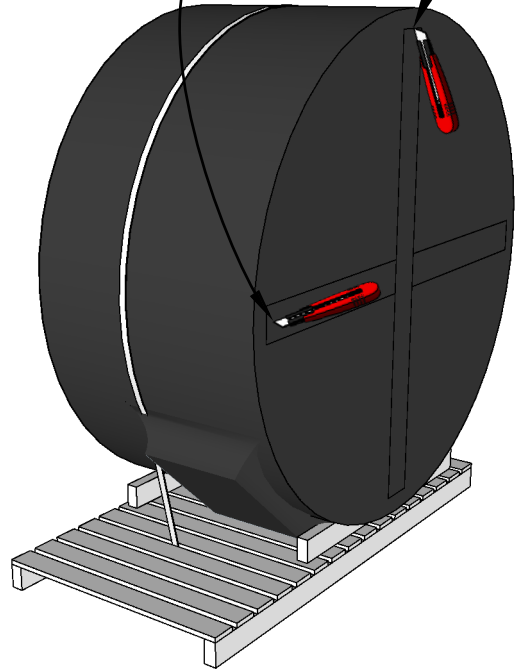
**Remove
boards.**

**Cut strap
and remove
steps.**



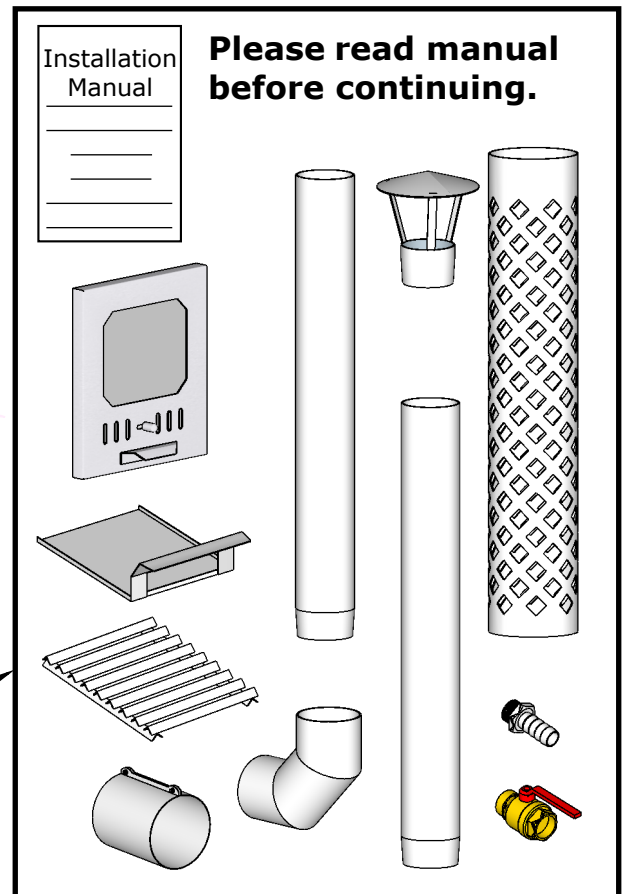
II

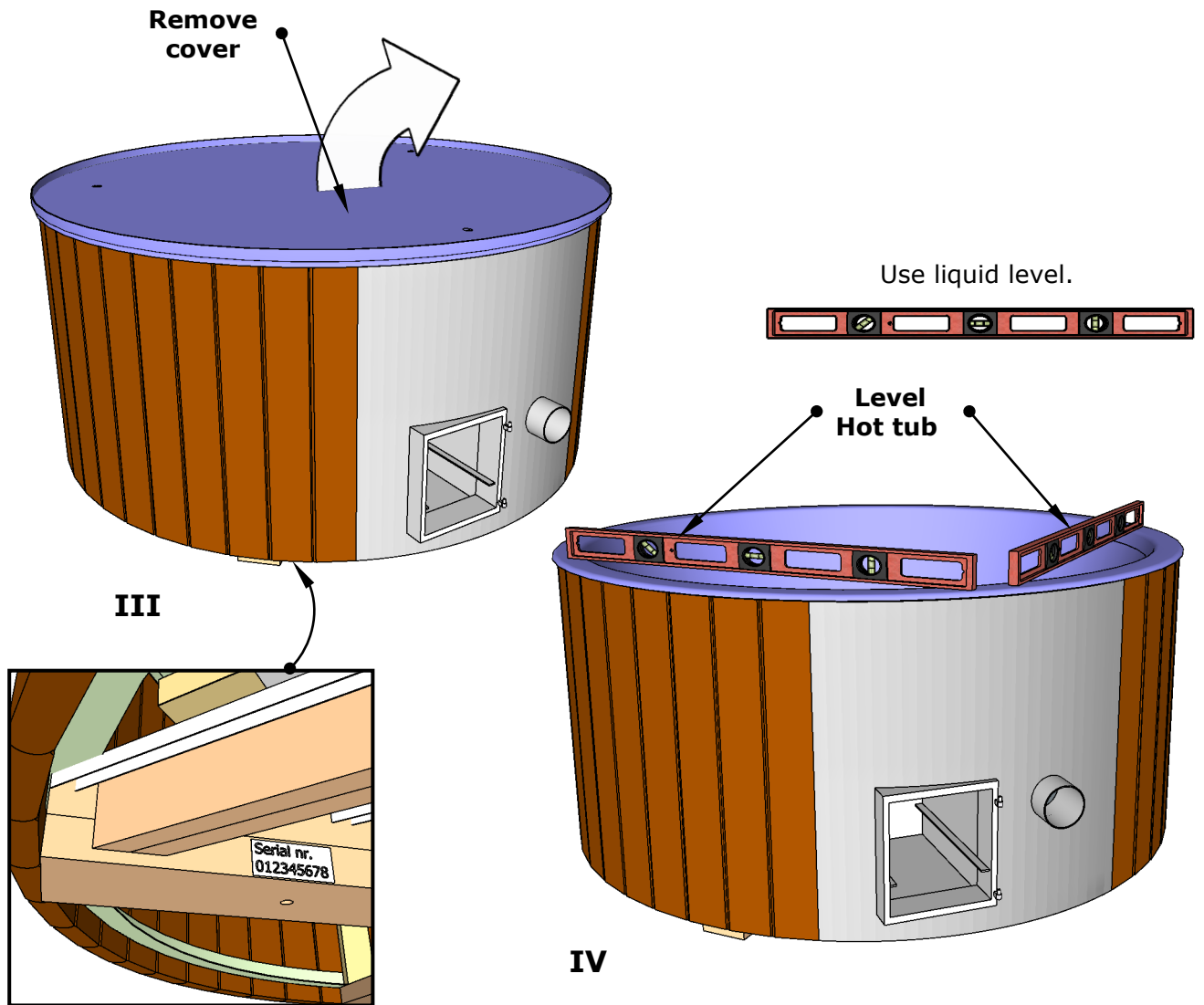
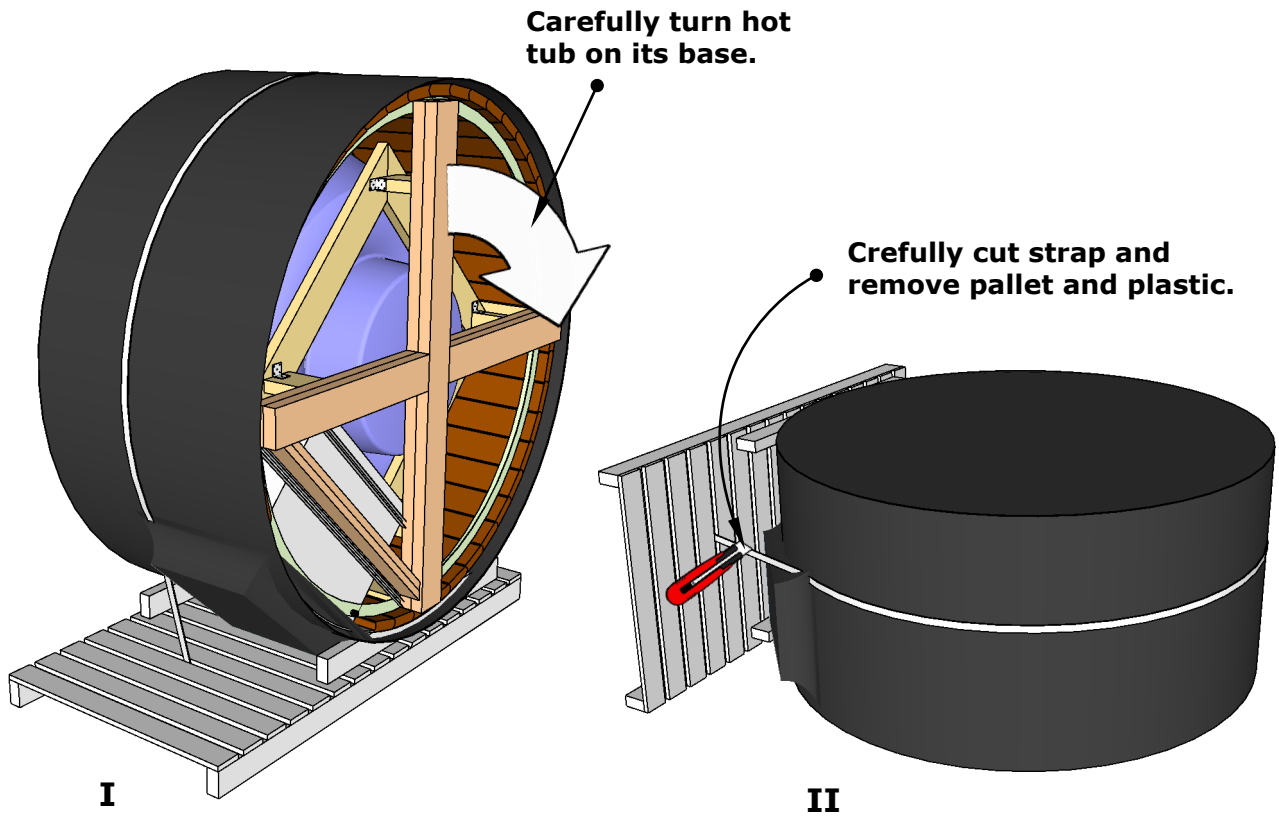
**Cut
bottom
plastic.**



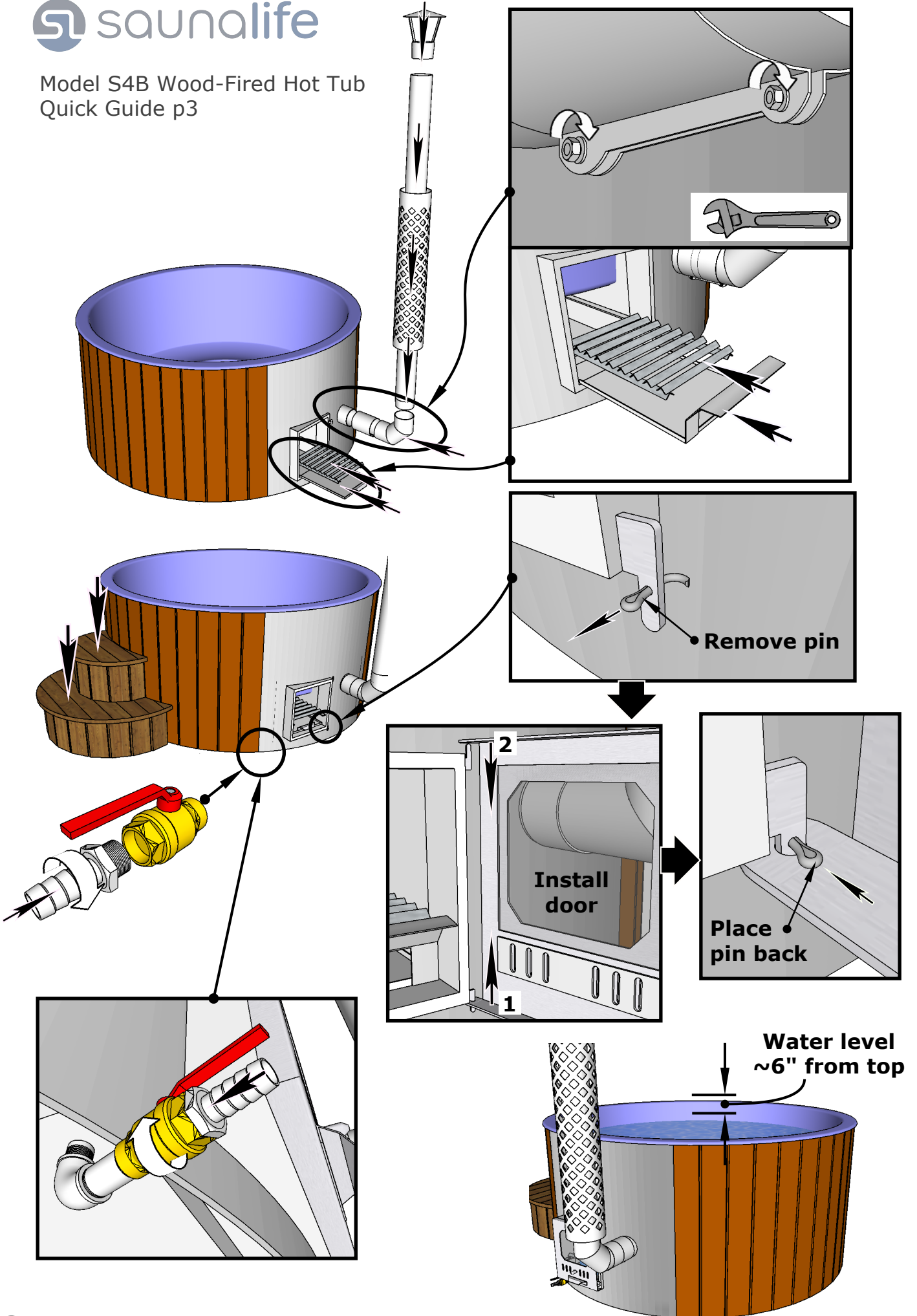
III

**Compare
contents with
parts diagram.**





1.



S4 Wood-Fired Hot Tub Safety Instructions

When using the hot tub it is very important to follow local safety regulations, in order to avoid any risks to human health or property. The instructions below are common – sense recommendations to prevent any immediate dangers.

! Firing of the hot tub's stove may begin only after the hot tub has been filled with water.

! This hot tub is a product that includes a hearth. Please be careful when firing the stove.

! Condensate water may occur under the stove during heating the hot tub. If necessary, we recommend to place a container under the stove to collect the condensate water.

- For fire safety purposes, place the hot tub at a distance of at least 13 feet from any building.
- Never leave the hot tub's stove unattended while heating.
- While the stove is being fired, the chimney and the stove are hot and may cause burns when touched.
- For safety and to prevent damage to the hot tub, do not exceed the recommended capacity users.
- When firing the stove, heat the water in the hot tub to a recommended maximum of 105°F.
- Never jump into the hot tub.
- Do not leave children unsupervised in the hot tub.
- **The use of chlorine-containing detergents to wash the hot tub is prohibited.**
- Never use abrasive cleaning agents to clean the hot tub.

Heating the hot tub

! Do not begin heating the hot tub until after it has been filled with water!

! Do not drain water from the tub until after the embers in the stove are completely extinguished!

- Before filling the hot tub with water make sure that the drain valve of the hot tub is closed.
- Fill the hot tub to a level where the water is approximately 4" over the section above the stove.
- Using only dry wood to fuel the hot tub's stove. Carbon can not be used. Use a pellet fuel starter or lighter fluid to facilitate starting a fire.
- To heat water faster, it is advisable to cover the hot tub with a lid.
- It is recommended to heat the water in the hot tub to a maximum of 105°F.
- Any ash particles accidentally released into the water when heating the hot tub may be removed using an ordinary kitchen sieve.
- Do not use paper to light firewood, as this can cause excessive airborne spark and embers.
- Firewood should be no longer than 13".

Hot Tub Maintenance

Cleaning and maintaining the hot tub regularly is important for both hygiene and the long-term preservation of the hot tub. Treat the wood parts of hot tub (walls, stair) with wooden oil appropriate for exterior use at least once yearly.

IMPORTANT! In winter, always drain the water from the tub and stove after use to prevent freezing of water in the tub or its pipes. Water freezing may cause the hot tub or stove to break! The drain valve must also be left open to avoid the risk of the valve freezing and breaking!

- After emptying the hot tub with a bubble system, turn on the bubble system for a few minutes to allow the moisture in the system to drain.

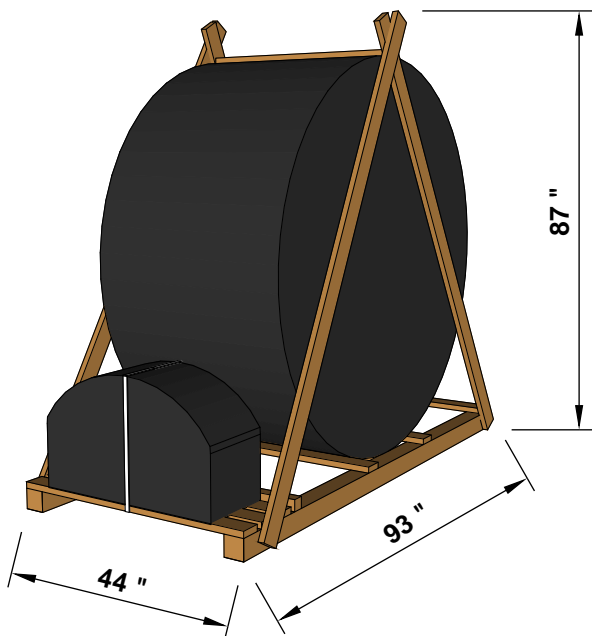
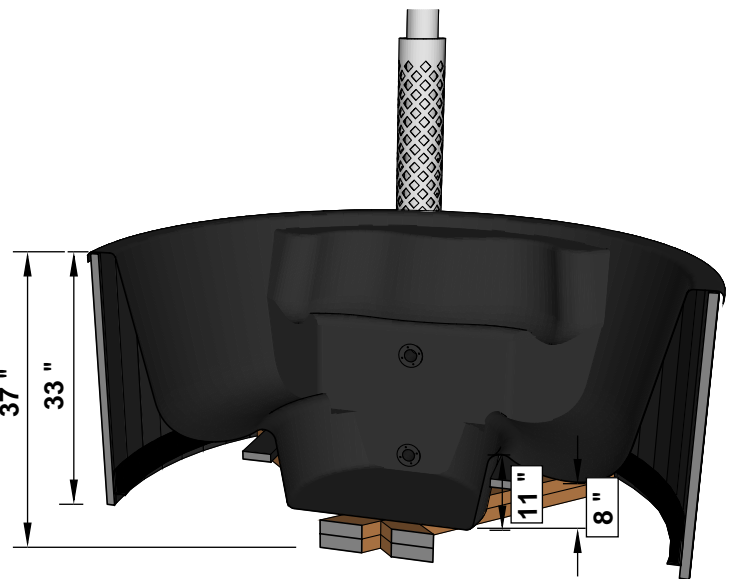
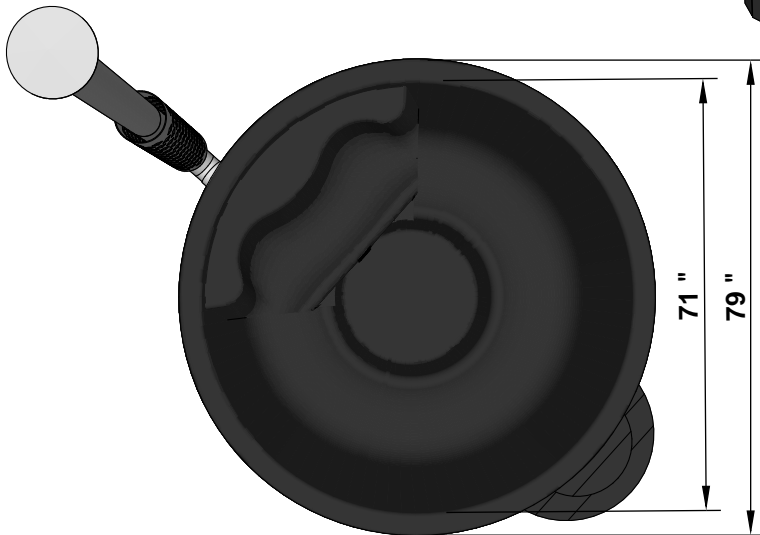
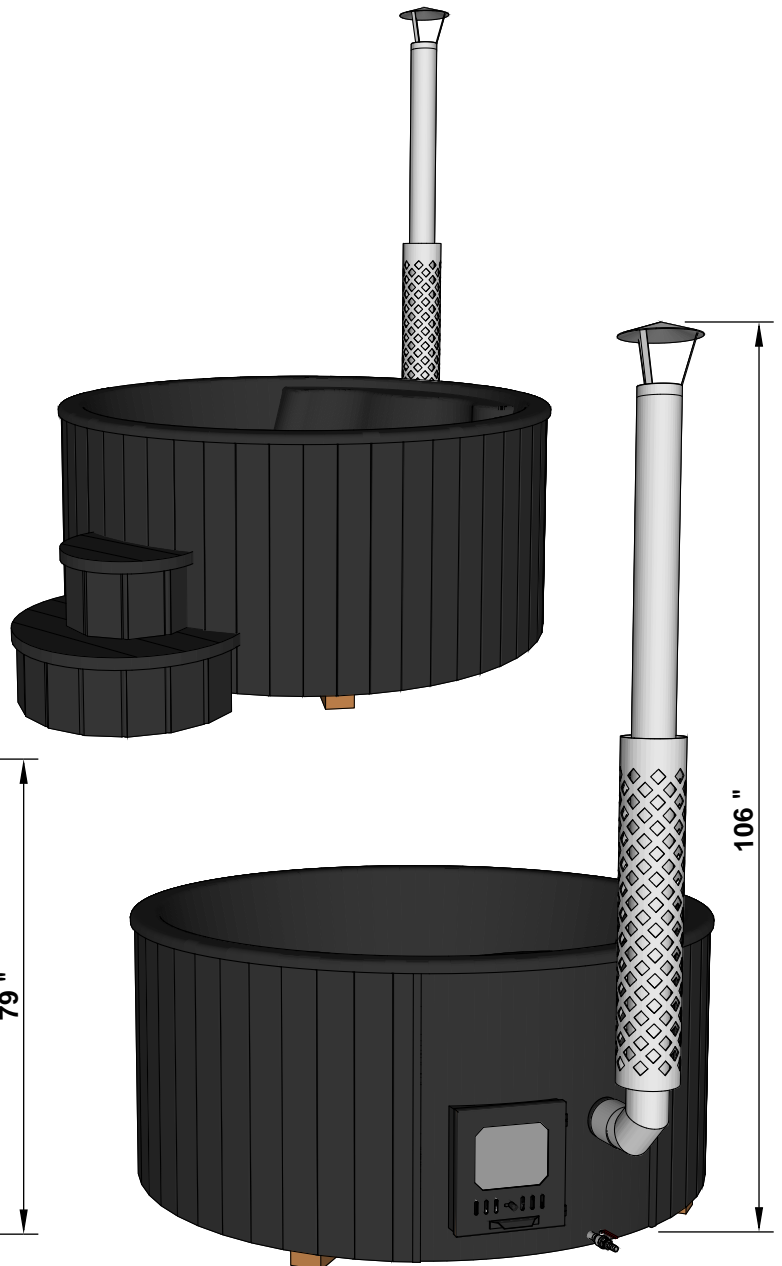
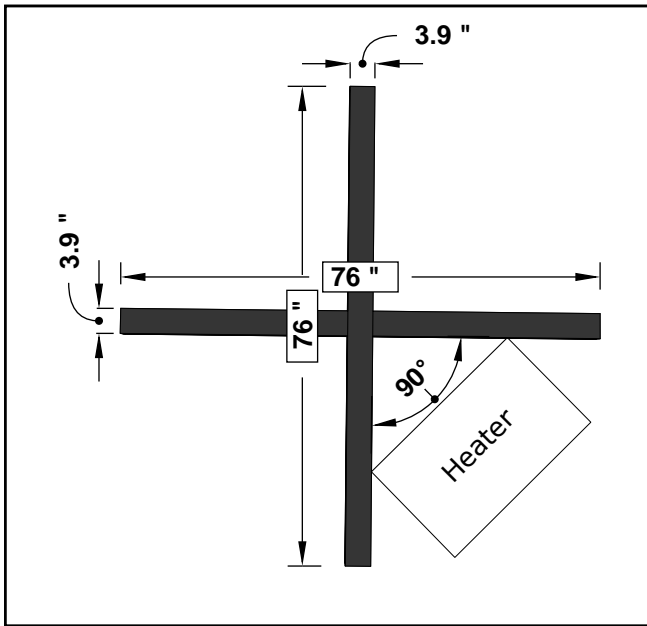
IMPORTANT! The instructions below are recommendations for users of the hot tub.

- Wash the hot tub after each use.
- Shower before using the hot tub, to ensure better hygiene in the water.
- The hot tub may be washed with a pressure washer with regular household detergents and a soft cloth.
- No hard material or material with a rough surface or chlorine solutions should be used to clean the hot tub (will cause discolouration).

A guarantee for a private customer is valid for 2 years. A product used for commercial purposes has a 6-month warranty.

SERIAL NUMBER: _____

When submitting a complaint, it must be accompanied by one or more photos, a description of the deficiency, the order number and the serial number required to identify the product.



lb 595 lb



SAUNALIFE LIMITED WARRANTY

SAUNALIFE extends this Limited Warranty solely to the original retail consumer purchaser of any SAUNALIFE sauna, barrel shower, or immersion tub purchased from one of its authorized resellers.

LIMITED WARRANTY

SAUNALIFE warrants that its products shall be free from defects in workmanship under normal conditions of use and service for two years for residential applications after delivery to the original retail purchaser. This warranty is limited to making good any factory assembled component which in the judgment of SAUNALIFE is deemed defective in workmanship. The warranty does not cover normal material wear, user damage, natural weathering of the lumber, or installation or delivery of components and applies only to the original retail purchaser.

WARRANTY PERFORMANCE

For any warranty service, SAUNALIFE reserves the right to choose, at its option, repair of the problem or a replacement of the defective part. SAUNALIFE reserves the right to substitute a part or component of equivalent value, either new or factory reconditioned, and any such repair or replacement shall assume as its warranty only the remaining portion of the warranty on the original product. In the event SAUNALIFE chooses to repair any malfunction or defect covered by this warranty, a return authorization will be issued, and the component will be returned prepaid freight to SAUNALIFE for repair of the defect. SAUNALIFE will then ship the component back to the original retail purchaser upon completion of the repair. Prior to any return, contact SAUNALIFE at: SAUNALIFE, 511 Glenn Avenue, Wheeling, Illinois 60090, telephone number: (800) 957-2862, for packaging and shipping instructions and a return authorization number. In addition, SAUNALIFE will require photographs of any defect and reserves the right to inspect or designate an agent to inspect any part that is claimed to be defective and covered by this warranty. Labor charges and related expenses for removal, installation, or replacement of the product or component are not covered under this warranty. Normal wear and tear, cosmetic issues or changes to individual pieces of lumber due to natural aging and weathering are not covered. Sauna heaters and added components are not covered by this warranty.

ACTS INVALIDATING WARRANTY

This warranty is void if the SAUNALIFE product has been subject to alteration, misuse or abuse, commercial use, or if any repairs on the sauna are attempted by anyone other than an authorized representative of SAUNALIFE. Alteration shall include, but is not limited to, deviation from the original assembly instructions, component change, or the addition of any non-approved device or heating system, which contributes to a component or unit failure, or unsafe operating system. Use of equipment in an application for which it is not designed will void this warranty. This includes, but is not limited to, damage caused by operation above safe operating temperatures, damage caused by added components, damage caused by harsh chemicals, damage caused by movement of the product, and damage caused by acts of God.

DISCLAIMERS

The Warranty does not cover naturally occurring and expected characteristics of wood materials (differences in wood grain, knots, slight variations in tone) and phenomena that occur naturally during use of the Product (shrinkage and expansion due to temperature and humidity, moderate deformation) and the visual disturbances they may cause, nor defects (including transport damage) that would have been detectable by visual inspection prior to installation of the Product. Except as expressly provided above, SAUNALIFE makes no other representation or warranty, express or implied, either in fact or operation of law, statute, or otherwise, and SAUNALIFE specifically disclaims any and all implied or statutory warranties, including warranties or merchantability and of fitness for a particular purpose. SAUNALIFE shall not be liable for loss of use of the SAUNALIFE product or other incidental or consequential costs, expenses, or damage, which may include but are not limited to, the removal of or reinstallation of a wall, deck or other fixture, water leakage, costs of shipping or packaging, applicable taxes, or the payment of any costs or expenses of disassembly, removal, or reinstallation of the product or any part. Your rights may vary from state to state. Under no circumstances shall SAUNALIFE or its representatives be held liable for injury to any person or damage to any property, however arising, even if caused by the SAUNALIFE Sauna or its representatives' negligence. No distributor, salesperson, dealer, retailer, or other representative of SAUNALIFE has the authority to alter or change these warranties either orally or in writing.