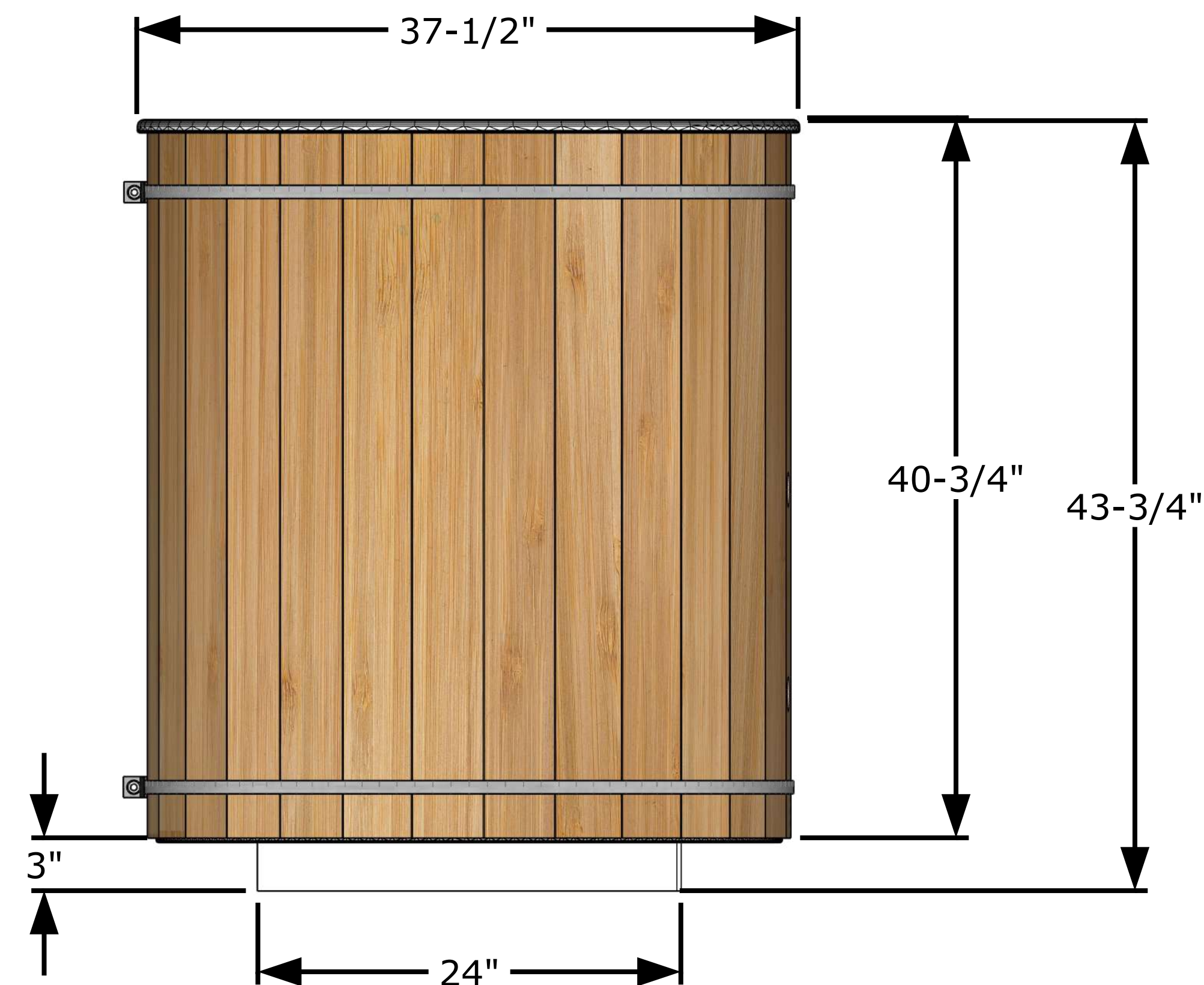


Front View

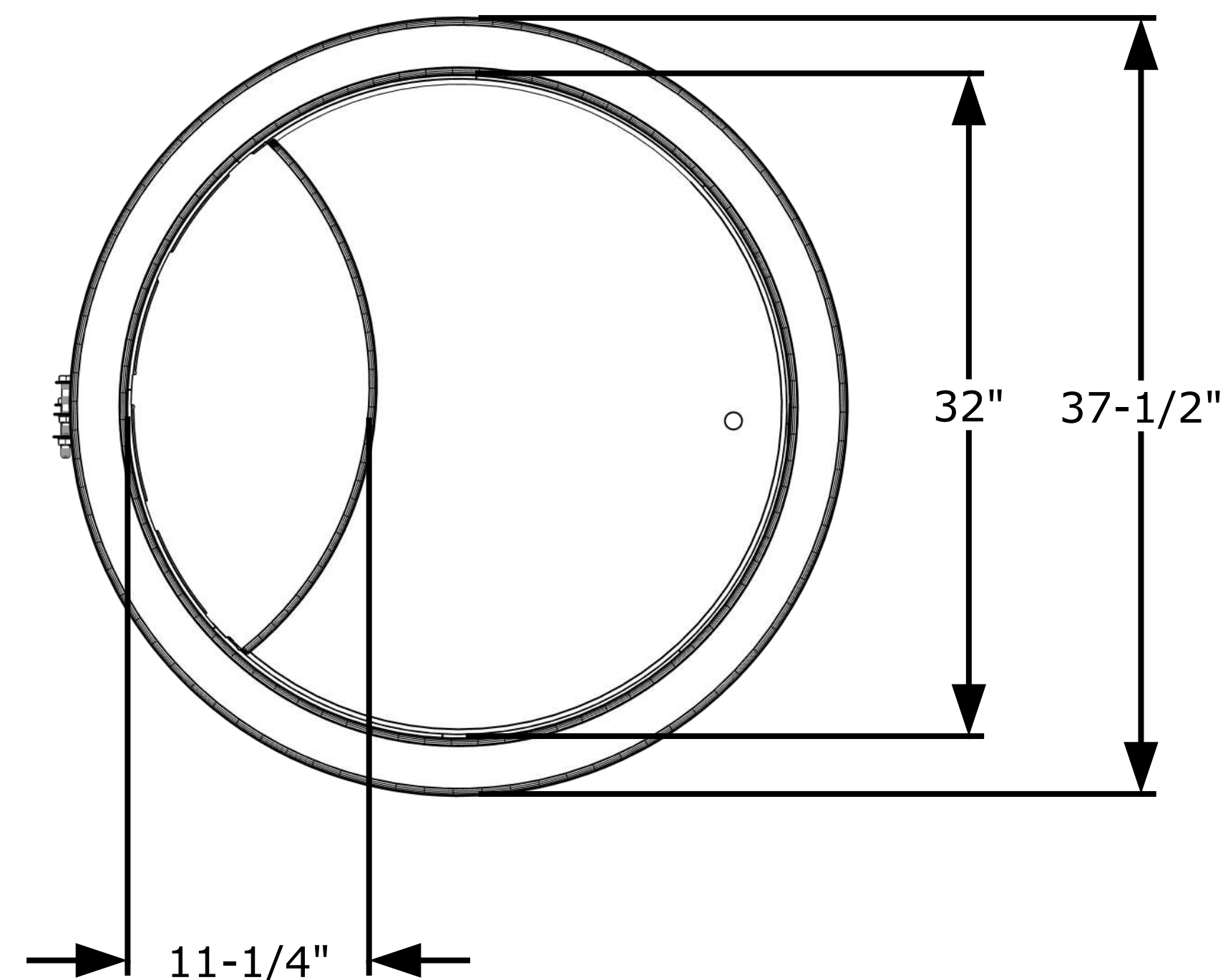


Perspective View

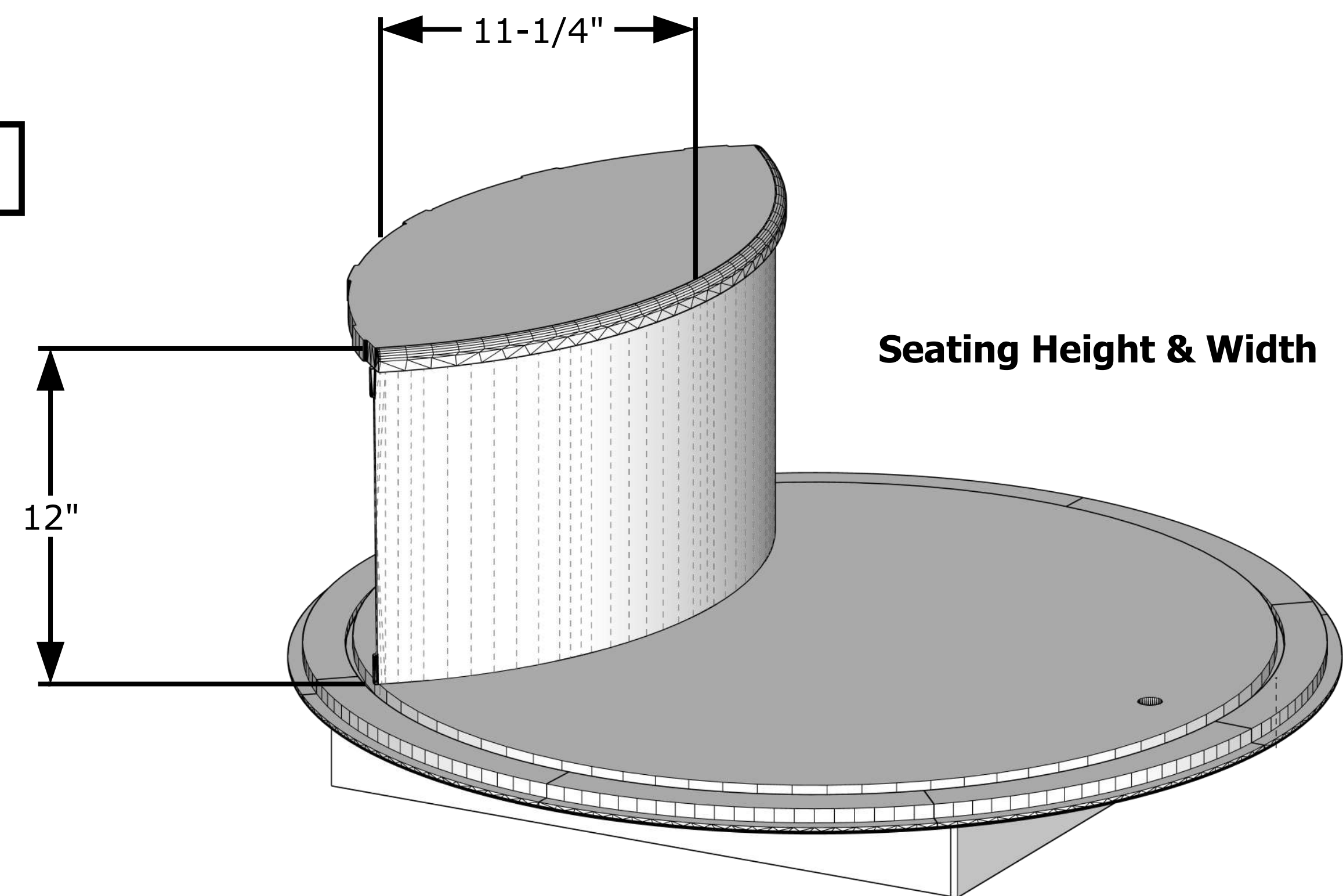


Line Material	HDPE Plastic
Top Ring, Seat & Floor	3/4" Thick HDPE Plastic
Upright liner walls	1/4" thick HDPE Plastic
Wood Skirting on outside	5/8" thick cedar
Stainless band around outside	3/4" Wide x .030"
Opening size for chiller and drain	3/4" NPT

Top View




Side View



The Arctic/Baltic Plunge Tub Installation Instructions



Requirements:
Adjustable Wrench
Pipe Wrench
Thread Tape

[View the assembly process](#) 

The Arctic/Baltic Plunge Tub Installation Instructions

Note:

All Plunge tubs come ready to go.

The only assembly required is to install the drain hardware and you are ready to fill with water and enjoy!

If an optional chiller is purchased, please follow the instructions for hooking the chiller to the plunge tub.

Drain Assembly



To start the installation of the Plunge Tub, Place the tub in the desired location.



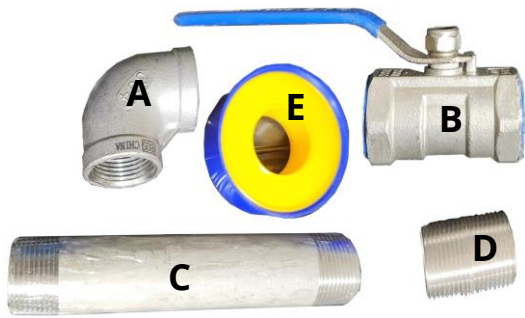
Once you have the tub in the desired location, gently flip the tub on its side.

You can put down a blanket or towel to protect the side of the tub.

Manufactured by:



The Arctic/Baltic Plunge Tub Installation Instructions



Unpack the hardware for the chiller drain assembly.

- A - 90° Elbow
- B - ¾" Ball Valve
- C - 5" Long Nipple
- D - Short Nipple
- E - Thread Tape



Wrap 3 layers of thread tape around the threads on both ends of the short nipple.



Screw the nipple into the drain hole on the bottom of the tub.



Screw one of the elbows onto the nipple ensuring it is tight and faces the back of the tub.

Manufactured by:



The Arctic/Baltic Plunge Tub Installation Instructions



Wrap 3 layers of thread tape around the threads on both ends of one of the long pipes.



Thread the long piece of pipe into the elbow.
This can be hand tight only at this time.



Remove the plastic packaging and caps from the valve.



Screw the valve onto the end of the long pipe.
Using a pipe wrench or adjustable wrench, tighten the valve so the handle of the valve is facing in your desired position when tight.

Manufactured by:



The Arctic/Baltic Plunge Tub Installation Instructions



Using a pipe wrench or adjustable wrench, tighten the garden hose connector (if ordered) onto the valve.

Congratulations!
Your Plunge Tub is now ready to be filled with water!
Enjoy!



If a Chiller Unit or any other accessories were ordered, proceed to the next steps.

Manufactured by:



tel: 888-923-9813 | info@leisurecraft.com | web: www.leisurecraft.com 5

3 Tier Step for Plunge Tub Installation Instructions (Optional)



Place the top step of the hot tub steps (curved at the back) upside down and place 1 side of the stairs inside the lip of the side and front of step.

Fasten with 2 2 ½" (64mm) screws.

Repeat on opposite side.



Repeat for the bottom and middle step.



Flip the assembled steps over and place where desired against Cold Plunge tub.

Manufactured by:





WARRANTY

Dundalk LeisureCraft Inc. warrants our Cold Plunge Tubs against defects in materials and workmanship under normal/residential use for a period of 5 (5) years, as applicable, from the date of receipt of the product by the original end-user consumer.

This warranty does not apply to normal wear and tear and/or natural weather conditions. This warranty does not cover misuse or negligence and the manufacturer and associated retailers are not liable for any injury or damage caused by the product.

This warranty is a parts only warranty and any service or labor costs would not be considered as part of the 5-year warranty.

Purchaser Name: _____ Date: _____

Purchased From: _____

Manufactured by:

