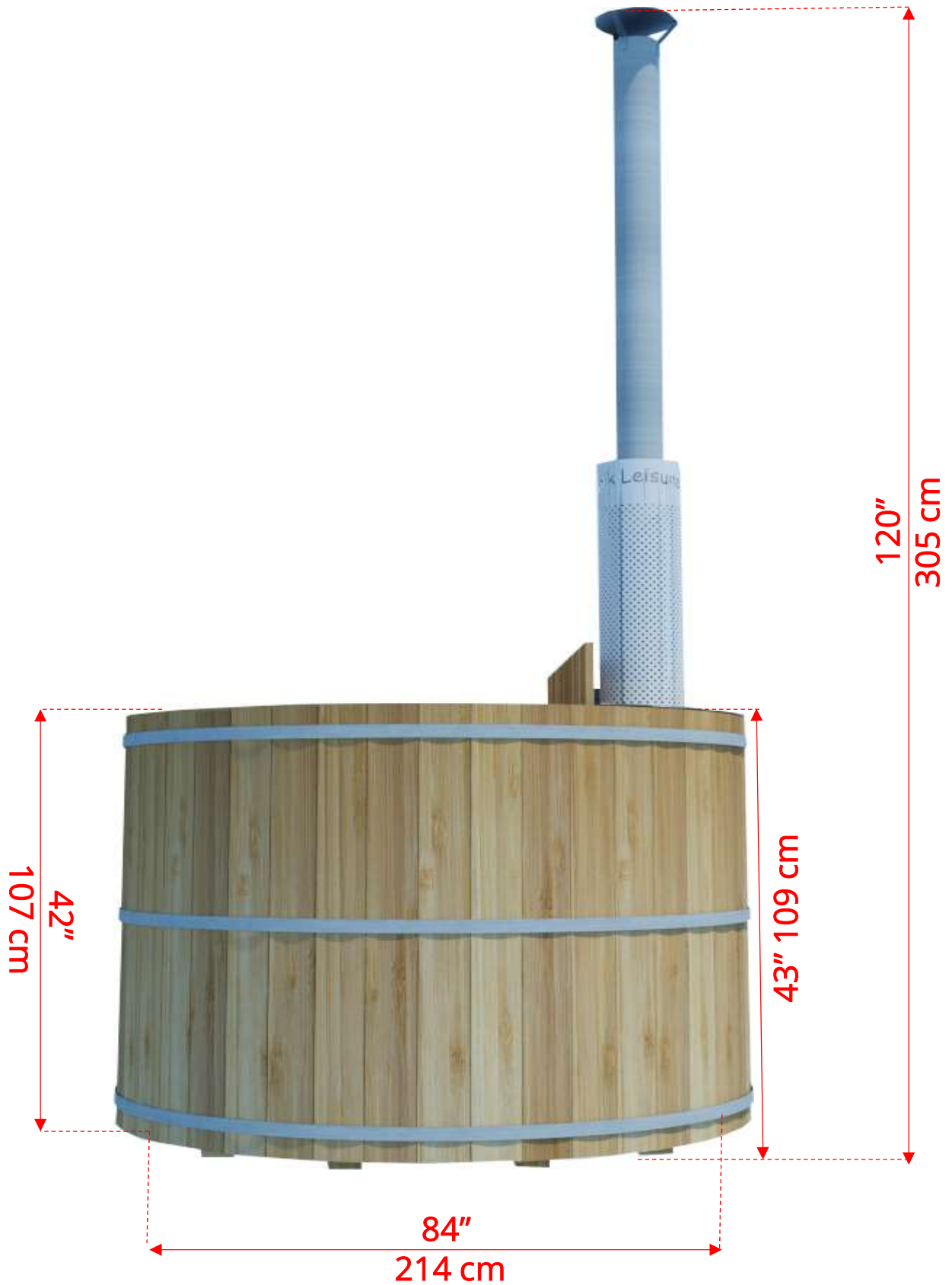


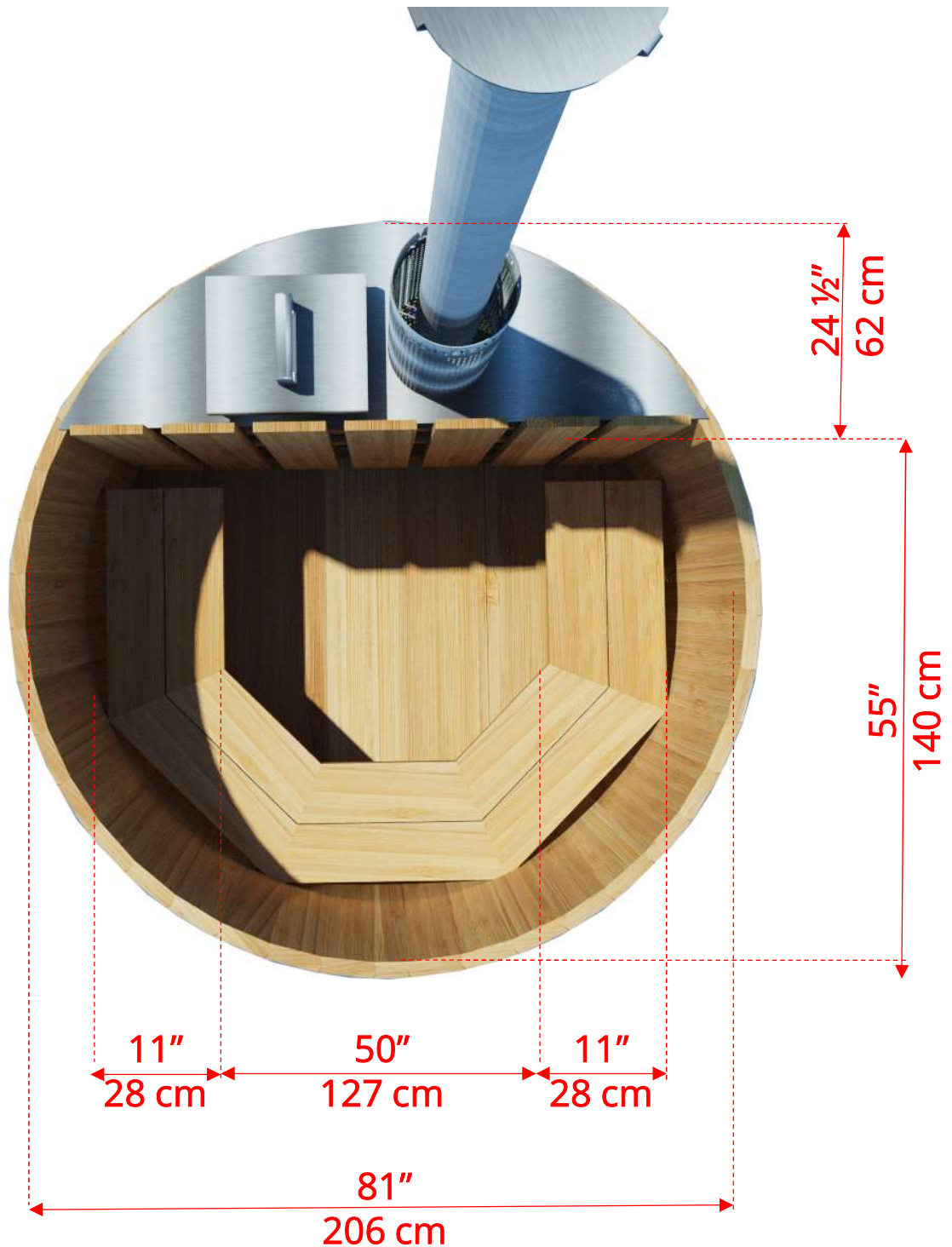
470

The Original Cedar Hot Tub 7' (214cm)



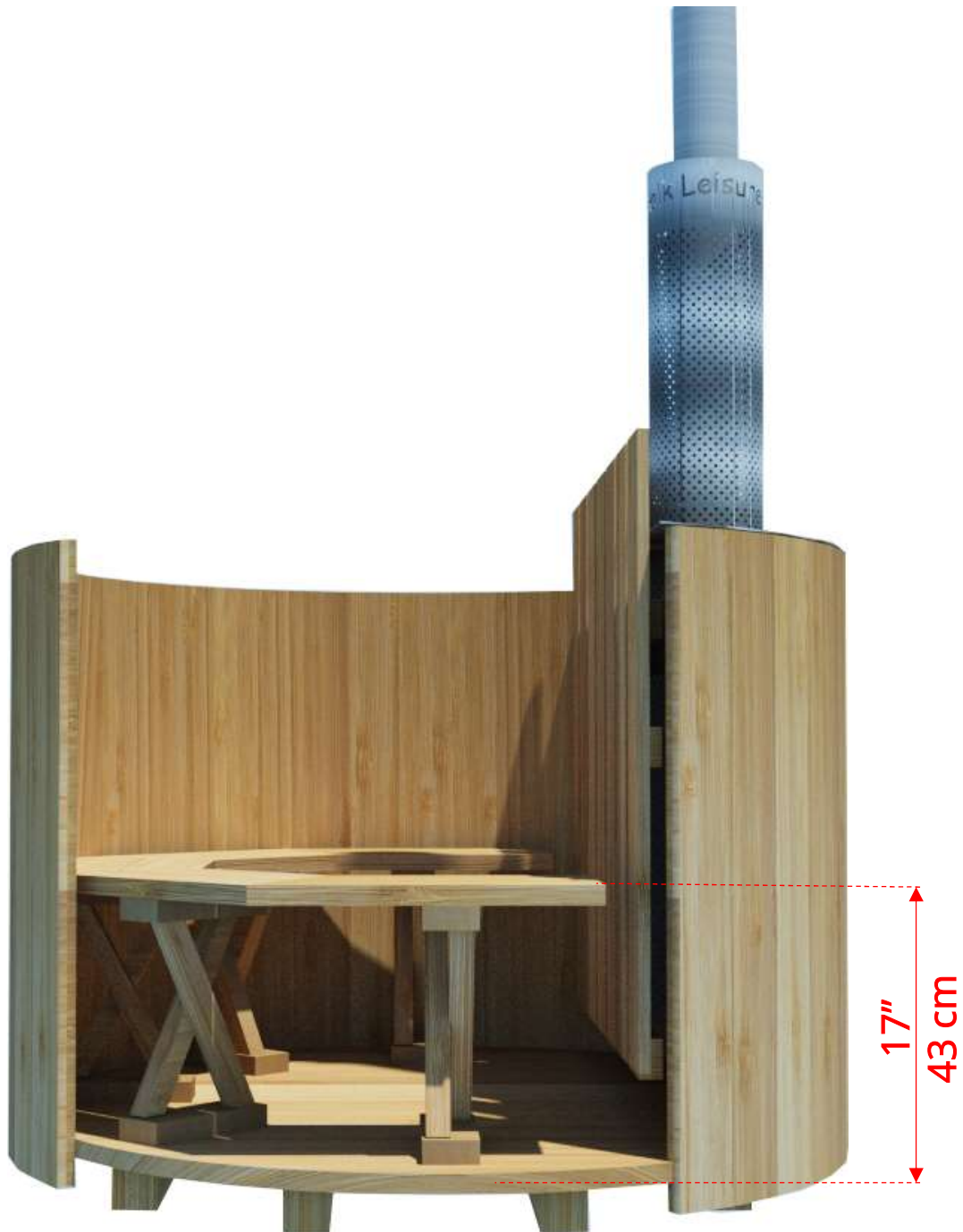
470

The Original Cedar Hot Tub 7' (214cm)



470

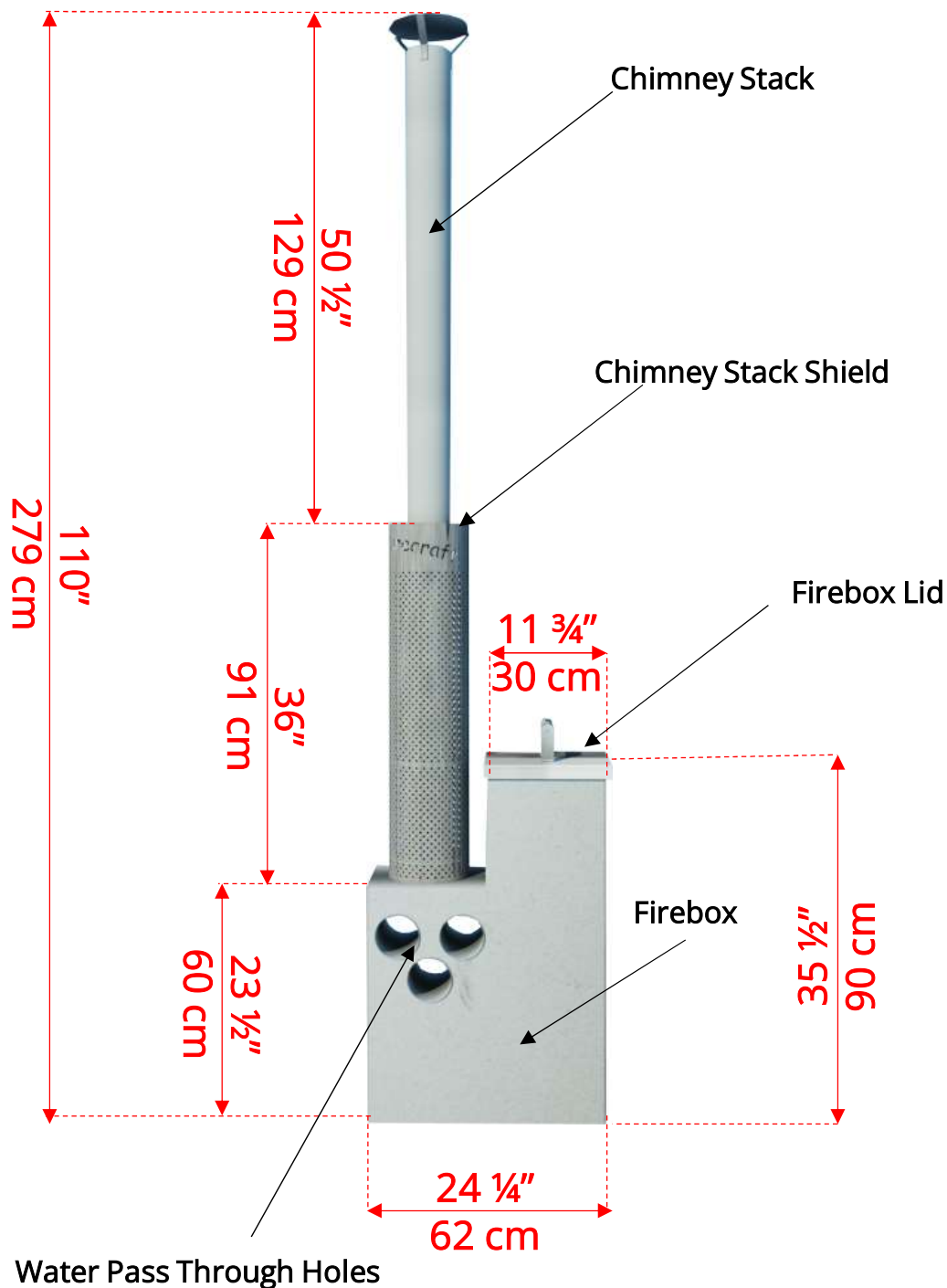
The Original Cedar Hot Tub 7' (214cm)



730145

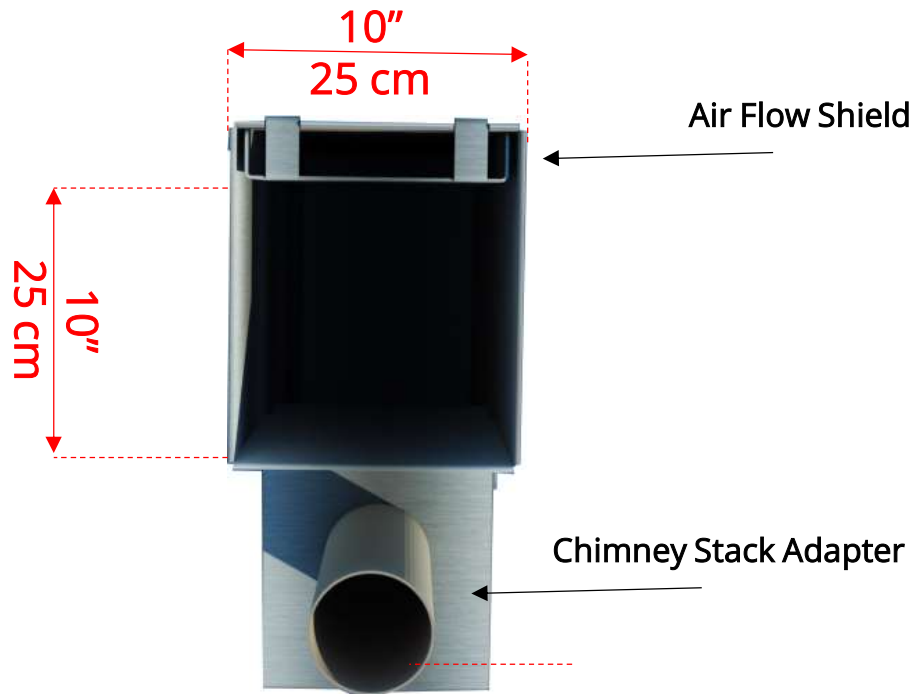
Aluminum Inside Hot Tub Heater (Optional)

Do not Operate Hot Tub Heater without Water in Hot Tub!



Aluminum Inside Hot Tub Heater (Optional)

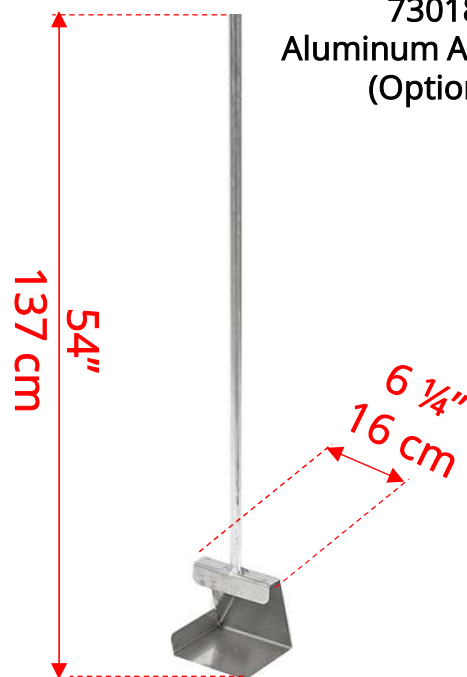
Firebox Opening – 10" (25cm) x 10" (25cm) x 35 1/4" (90cm) Deep



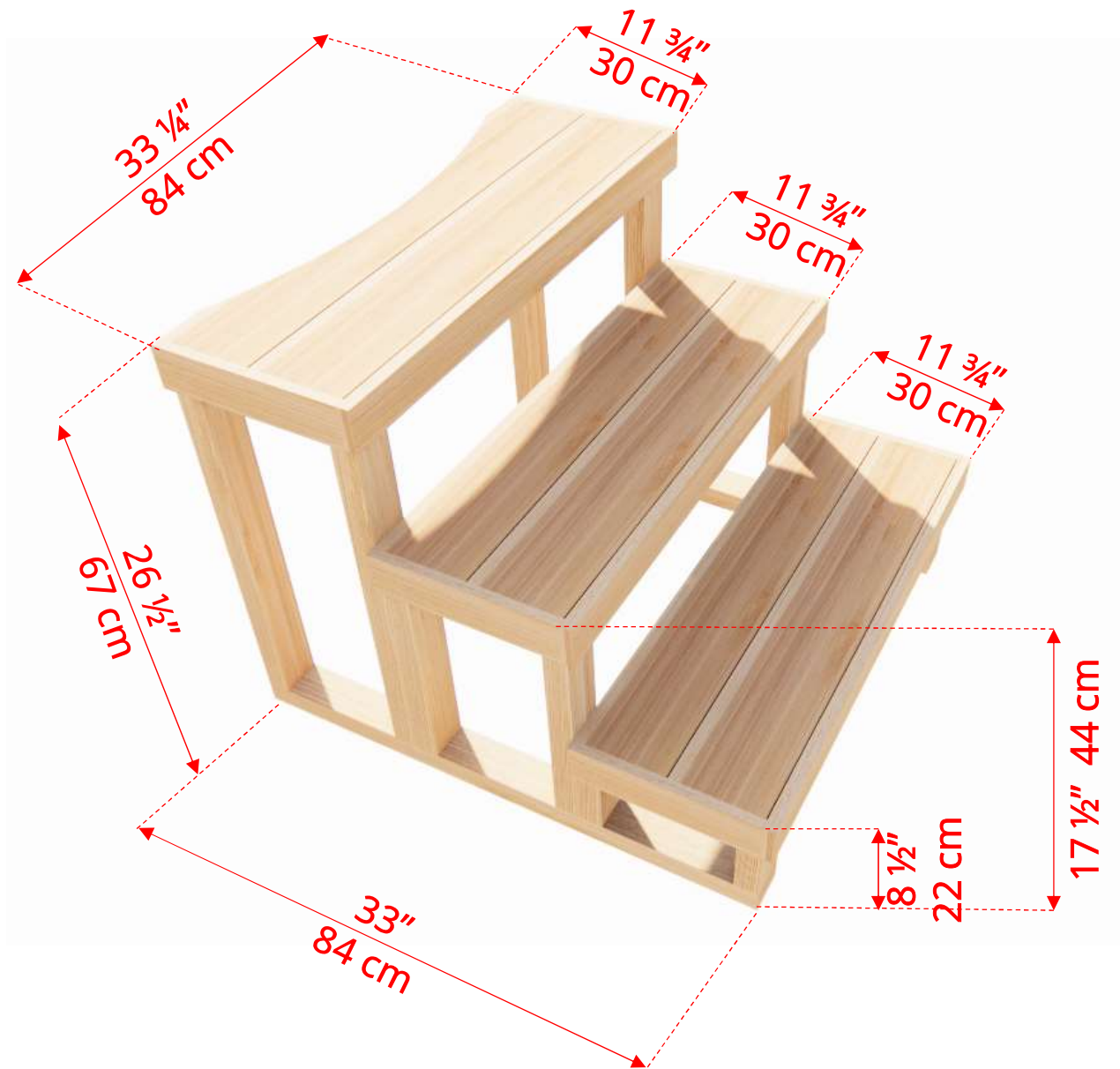
730184
24" Canoe Paddle
(Optional)



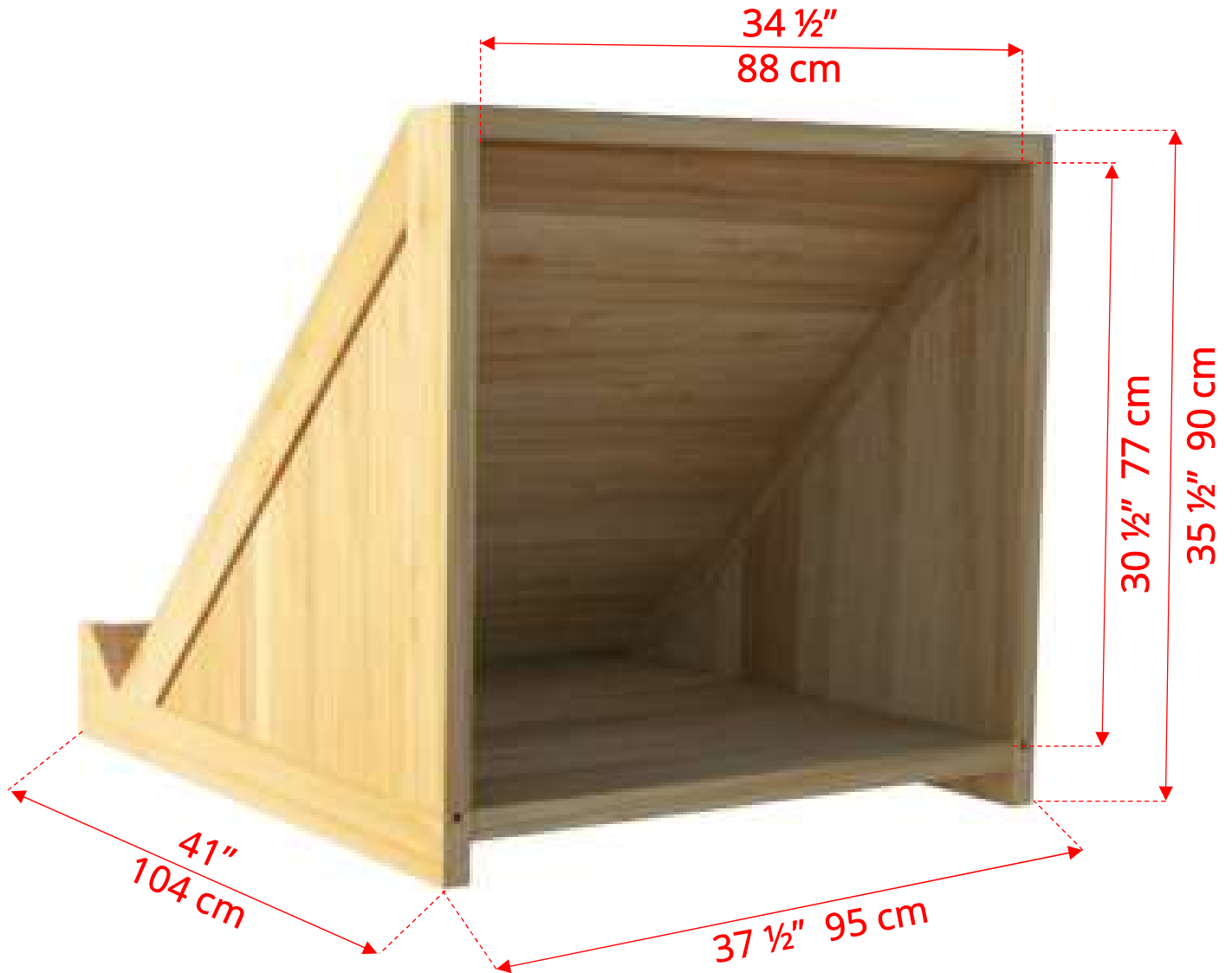
730185
Aluminum Ash Scoop
(Optional)



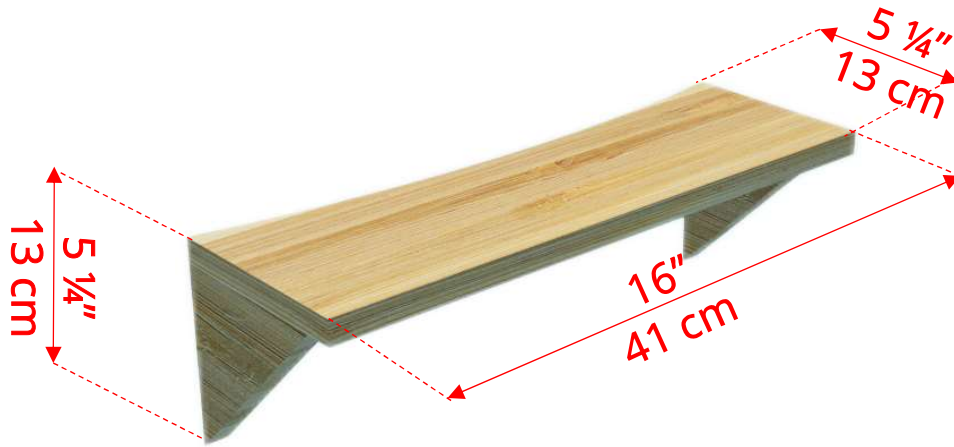
730186 3 Tier Steps for Round Tub (Optional)



730180 Cover Stand with Firewood Storage (Optional)



730187 7' Round Tub Shelf (Optional)





Inventory Components - Parts List

Dundalk Leisure Craft Inc.
Product: 470

<u>Product ID</u>	<u>Description</u>	<u>Quantity</u>
Description: The Original Cedar Hot Tub 7' (214)		
B470	42" x 7' Cedar Hot Tub	1.00
CRATE9634	Crate Size 96"x45"x34" High	1.00
730102	7' Half Moon Floor Section	2.00
730107	77-inch Long 4x4 Cedar for Base	2.00
730108	54-inch Short 4x4 Cedar for Base	2.00
730112	42" Hot Tub Stave with 1 Dayto	49.00
730113	42" (Custom Width) Hot Tub Stave with 1 Dayto	2.00
730117	5 Section Bench Seats (7' Tub)	1.00
730119	Hot Tub Seat Center X Support	5.00
BANDS7	7' Barrel Sauna Bands 260" Long Sand Bands (6.604 Meters)	3.00
BOLT15	15" Barrel Sauna Bolt with 2 Nuts	3.00
10-3803	Wall Fitting Long White	1.00
406-015	1-1/2" Slip Elbow	1.00
10-150-4	1-1/2" Rigid PVC Pipe - 48" Length	0.25
150-010	Slip Union Ball Valve Tap	1.00
HOTTUBMANUAL	Barrel Hot Tub Owners Manual	1.00
HOTTUBHARDWARE	Barrel Hot Tub Hardware Package	1.00
Heater Option (No Selection Required)		-
OR470IH	Aluminum Internal Heater with Guard Fence 7' Original Tub Includes Chimney & Stainless top Shield	1.00
Cover Option (No Selection Required)		-
730124	7' Original Tub Knotty Cedar Cover (2 Piece) Used with Internal Wood Heater	1.00
730127	7' Original Tub Clear Cedar Cover (2 Piece) Used with Internal Wood Heater	1.00
Outside Steps (No Selection Required)		-
730186	3 Tier Steps for Round Hot Tub Knotty Red Cedar	1.00

The Original Cedar Hot Tub Assembly Instructions



Requirements:

- 2 People (recommended)
- Rubber Mallet
- Tape Measure
- Cordless Drill
- Phillips & Robertson Driver Bits
- 1/2" Wrench/Nut Driver
- 3/4" Wrench/Nut Driver
- 5/16" Drill Bit
- Carpenters Hammer

[View the assembly process](#) 

The Original Cedar Hot Tub Assembly Instructions

Parts List

450 – The Original Hot Tub 5'

<u>Part#</u>	<u>Description</u>	<u>Quantity</u>
730100	5' Half Moon Floor Section	2
730103	52-inch Long 4x4 Cedar for Base	2
730104	36-inch Short 4x4 Cedar for Base	2
730112	42" Hot Tub Stave with 1 Dado	35
730113	42" (Custom Width) Hot Tub Stave with 1 Dado	2
730115	5 Section Bench Seats (5' Tub)	1
730119	Hot Tub Seat Center X Support	5
BANDS5	5' Barrel Sauna Bands	3
BOLT15	15" Barrel Sauna Bolt with 2 Nuts	3
10-3803	Wall Fitting Long White	1
406-015	1-1/2" Slip Elbow	1
10-150-4	1-1/2" Rigid PVC Pipe - 12" Length	1
150-010	Slip Union Ball Valve Tap	1

Optional Accessories

<u>Part#</u>	<u>Description</u>
OR450IH	Aluminum Internal Heater with Guard for 5' Hot Tub
730126	5' Original Tub Knotty Cedar Cover (2 Piece)
730129	5' Original Tub Clear Cedar Cover (2 Piece)
730186	3 Tier Steps For Round Hot Tub – Knotty Cedar
730184	24" Canoe Paddle
730185	Aluminum Ash Scoop
730180	Cover Stand with Firewood Storage
730187	Round Tub Shelf

The Original Cedar Hot Tub Assembly Instructions

Parts List

460 – The Original Hot Tub 6'

<u>Part#</u>	<u>Description</u>	<u>Quantity</u>
730101	6' Half Moon Floor Section	2
730105	64-inch Long 4x4 Cedar for Base	2
730106	48-inch Short 4x4 Cedar for Base	2
730112	42" Hot Tub Stave with 1 Dado	42
730113	42" (Custom Width) Hot Tub Stave with 1 Dado	2
730116	5 Section Bench Seats (6' Tub)	1
730119	Hot Tub Seat Center X Support	5
BANDS6	6' Barrel Sauna Bands	3
BOLT15	15" Barrel Sauna Bolt with 2 Nuts	3
10-3803	Wall Fitting Long White	1
406-015	1-1/2" Slip Elbow	1
10-150-4	1-1/2" Rigid PVC Pipe - 12" Length	1
150-010	Slip Union Ball Valve Tap	1

Optional Accessories

<u>Part#</u>	<u>Description</u>
OR460IH	Aluminum Internal Heater with Guard for 6' Hot Tub
730125	6' Original Tub Knotty Cedar Cover (2 Piece)
730128	6' Original Tub Clear Cedar Cover (2 Piece)
730186	3 Tier Steps For Round Hot Tub – Knotty Cedar
730184	24" Canoe Paddle
730185	Aluminum Ash Scoop
730180	Cover Stand with Firewood Storage
730187	Round Tub Shelf

The Original Cedar Hot Tub Assembly Instructions

Parts List

470 – The Original Hot Tub 7'

<u>Part#</u>	<u>Description</u>	<u>Quantity</u>
730102	7' Half Moon Floor Section	2
730107	77-inch Long 4x4 Cedar for Base	2
730108	54-inch Short 4x4 Cedar for Base	2
730112	42" Hot Tub Stave with 1 Dado	49
730113	42" (Custom Width) Hot Tub Stave with 1 Dado	2
730117	5 Section Bench Seats (7' Tub)	1
730119	Hot Tub Seat Center X Support	5
BANDS7	7' Barrel Sauna Bands	3
BOLT15	15" Barrel Sauna Bolt with 2 Nuts	3
10-3803	Wall Fitting Long White	1
406-015	1-1/2" Slip Elbow	1
10-150-4	1-1/2" Rigid PVC Pipe - 12" Length	1
150-010	Slip Union Ball Valve Tap	1

Optional Accessories

<u>Part#</u>	<u>Description</u>
OR470IH	Aluminum Internal Heater with Guard for 7' Hot Tub
730124	7' Original Tub Knotty Cedar Cover (2 Piece)
730127	7' Original Tub Clear Cedar Cover (2 Piece)
730186	3 Tier Steps For Round Hot Tub – Knotty Cedar
730184	24" Canoe Paddle
730185	Aluminum Ash Scoop
730180	Cover Stand with Firewood Storage
730187	Round Tub Shelf

The Original Cedar Hot Tub Assembly Instructions

Base Preparation

Make sure the base for your Hot Tub is level.

A solid base for your Hot Tub is recommended and can be made from any of the following.



Concrete Pad



Wood Deck



Crushed Stone



Patio Stone/Paver Blocks

Manufactured by:



tel: 888-923-9813 | info@leisurecraft.com | [web: www.leisurecraft.com](http://www.leisurecraft.com)

The Original Cedar Hot Tub Assembly Instructions

Tub Assembly



To start the assembly of your hot tub, lay the 2 half moon floor sections upside down.



Remove the drain assembly nut from the drain and insert the drain through the hole in the floor from the inside. Replace the nut onto the drain and ensure it is tight.



Apply PVC cement to the inside of the drain pipe and the short adapter and insert the adapter into the drain.



Apply PVC cement to the inside of the elbow pipe and the outside of the short adapter and connect the two. Position the elbow to face outwards from the tub.

Manufactured by:

The Original Cedar Hot Tub Assembly Instructions

Tub Assembly



Ensure the half moon floor sections are flush and secure them together using 2 ½" (64mm) screws in the pre drilled holes.



With the floor still upside down, lay out the 4 cedar bases. The 2 shorter ones to the outside and the longer 2 in the middle.



Center the bases and secure them to the floor with 6 - 2 ½" (64mm) screws. 3 on either side of each base.



Flip over the assembled floor and place it with the drain assembly facing the area you want the tub to drain to.

Manufactured by:



tel: 888-923-9813 | info@leisurecraft.com | web: www.leisurecraft.com

The Original Cedar Hot Tub Assembly Instructions

Tub Assembly



Begin placing the hot tub staves. Ensure they are tight together and aligned with the pencil mark on the floor.



Ensure they are tight together and aligned with the pencil mark on the floor.



Continue adding the staves around the tub until you get to where you started. Wedge the last piece in to fit.



Place 4 finishing nails around the sauna measuring exactly 2" (51mm) up from the bottom of the stave. This will help with holding the first sauna band in place until you get it tightened.

Manufactured by:

The Original Cedar Hot Tub Assembly Instructions

Tub Assembly



Pre assemble one of the sauna bands by placing the bolt with a nut on one end through the bolt guides on the band and thread the other nut loosely on the end.



Place the band around the hot tub.



Slide the sauna band down until it sits on the nails you placed in the prior step. Tighten the nuts with a $\frac{3}{4}$ " wrench until the band is snug enough so that it will stay in place.



Using a rubber mallet, work your way around the tub hitting each stave with a firm tap on the bottom band while tightening the nuts to even out the staves. Remove the temporary finishing nails.

Manufactured by:



tel: 888-923-9813 | info@leisurecraft.com | web: www.leisurecraft.com

The Original Cedar Hot Tub Assembly Instructions

Tub Assembly



Place 4 finishing nails around the sauna measuring exactly 4" (102mm) and 21 ½" (546mm) down from the top of the staves. This will help with holding the top and middle sauna bands in place until you get them tightened.



Place the band around the middle of the hot tub so it rests on the middle nails. Ensure to off set where the bolts line up so all of the pressure is not on one stave of the tub. Tighten the band up while tapping on the band working around the tub. Remove the nails from the center.



Repeat the above step for the top band.



Go back and tighten up the bottom and middle bands while tapping on the bands.

Manufactured by:



tel: 888-923-9813 | info@leisurecraft.com | web: www.leisurecraft.com

The Original Cedar Hot Tub Assembly Instructions

Tub Assembly



Apply PVC cement to the drain elbow and the longer adapter piece and stick them together.



Repeat the above step to attach the long adapter to the shut off assembly.



Place the temporary heater stand in the tub on the side where you will want the heater.



Place the heater on top of the stand and mark where the 4 heater mount holes are. Ensure the holes are not directly on a seam of the tub.

Manufactured by:

The Original Cedar Hot Tub Assembly Instructions

Tub Assembly



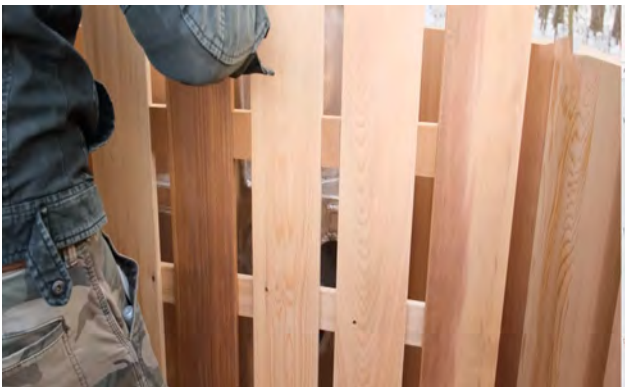
Remove the heater and drill out the marks with a 5/16" drill bit.



Place the heater back on the stand. Slide the provided bolts through the holes.



Place a washer and nut on the end of the bolts on the outside of the tub and tighten. Remove the temporary heater stand from beneath the heater.



Place the heater guard in front of the heater. Line up the holes to the brackets on the heater and use the provided bolts, nuts and washers to secure into place.

Manufactured by:

The Original Cedar Hot Tub Assembly Instructions

Tub Assembly



Place the bench pieces together and secure with 2 ½" (64mm) screws in the pre drilled holes.



Center the first hot tub center support and using 2 ½" (64mm) screws, secure it to the bottom of the assembled bench. Repeat for the rest of the bench legs, 1 leg per bench section.



Place the assembled bench inside the hot tub.



Ensure it is the same distance from the heater fence on each side.

Manufactured by:



tel: 888-923-9813 | info@leisurecraft.com | web: www.leisurecraft.com

The Original Cedar Hot Tub Assembly Instructions

730186 -3 Tier Steps For Round Hot Tub (Optional)



Place the top step of the hot tub steps (curved at the back) upside down and place 1 side of the stairs inside the lip of the side and front of step. Fasten with 2 2 ½" (64mm) screws. Repeat on opposite side.



Repeat for the bottom and middle step.



Flip the assembled stairs over and place where desired against hot tub.

Manufactured by:



tel: 888-923-9813 | info@leisurecraft.com | web: www.leisurecraft.com