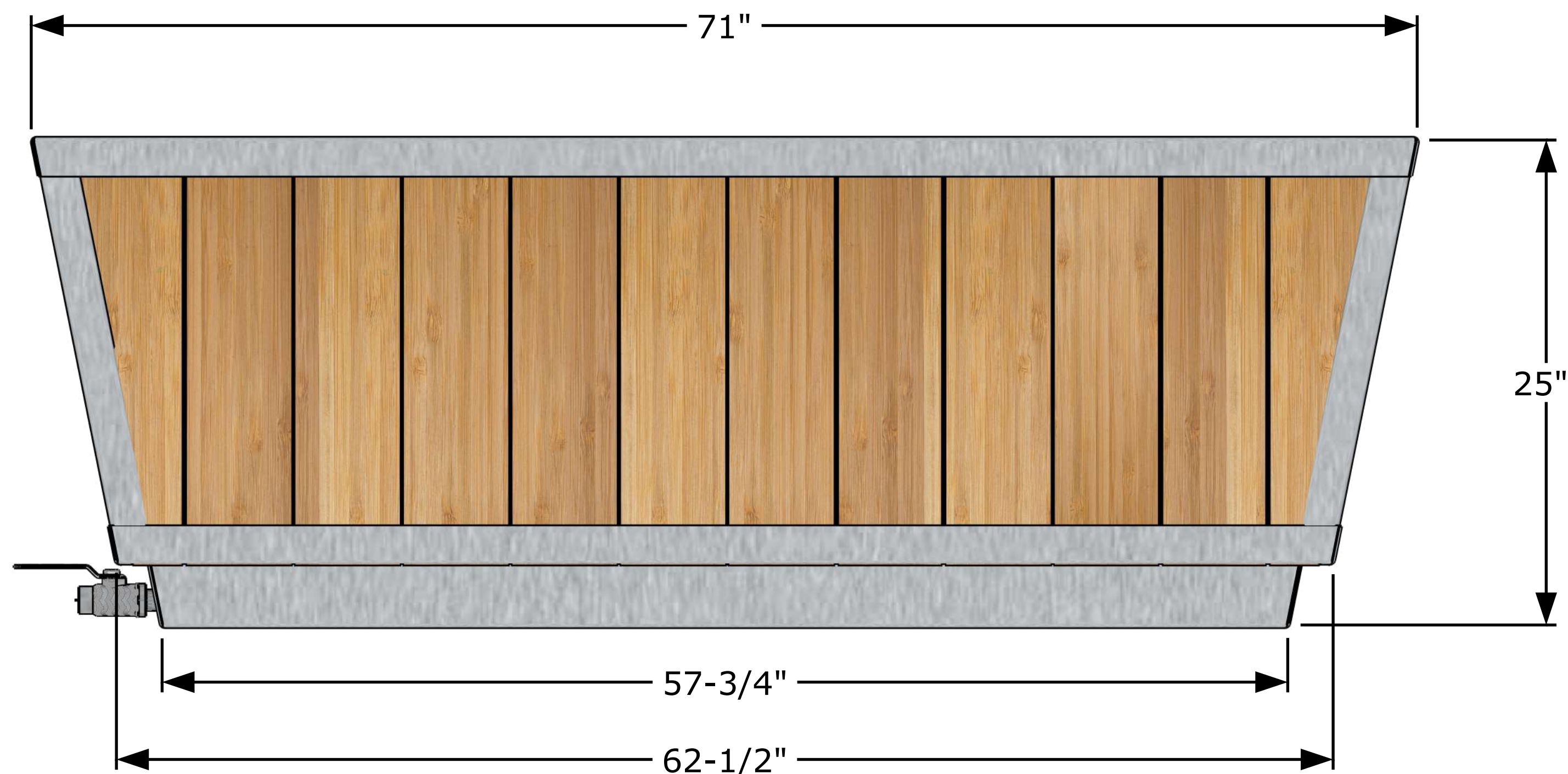
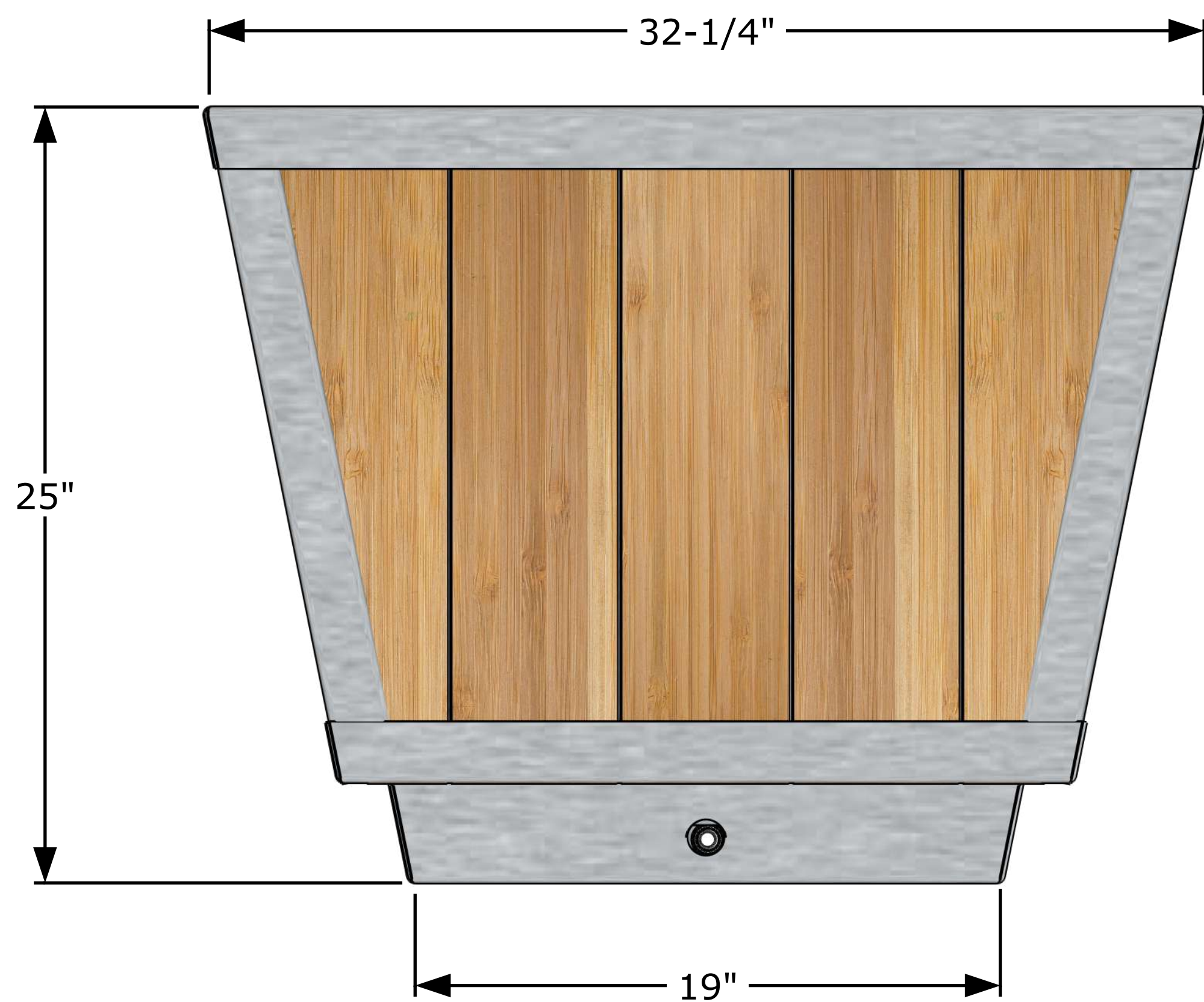


Front View

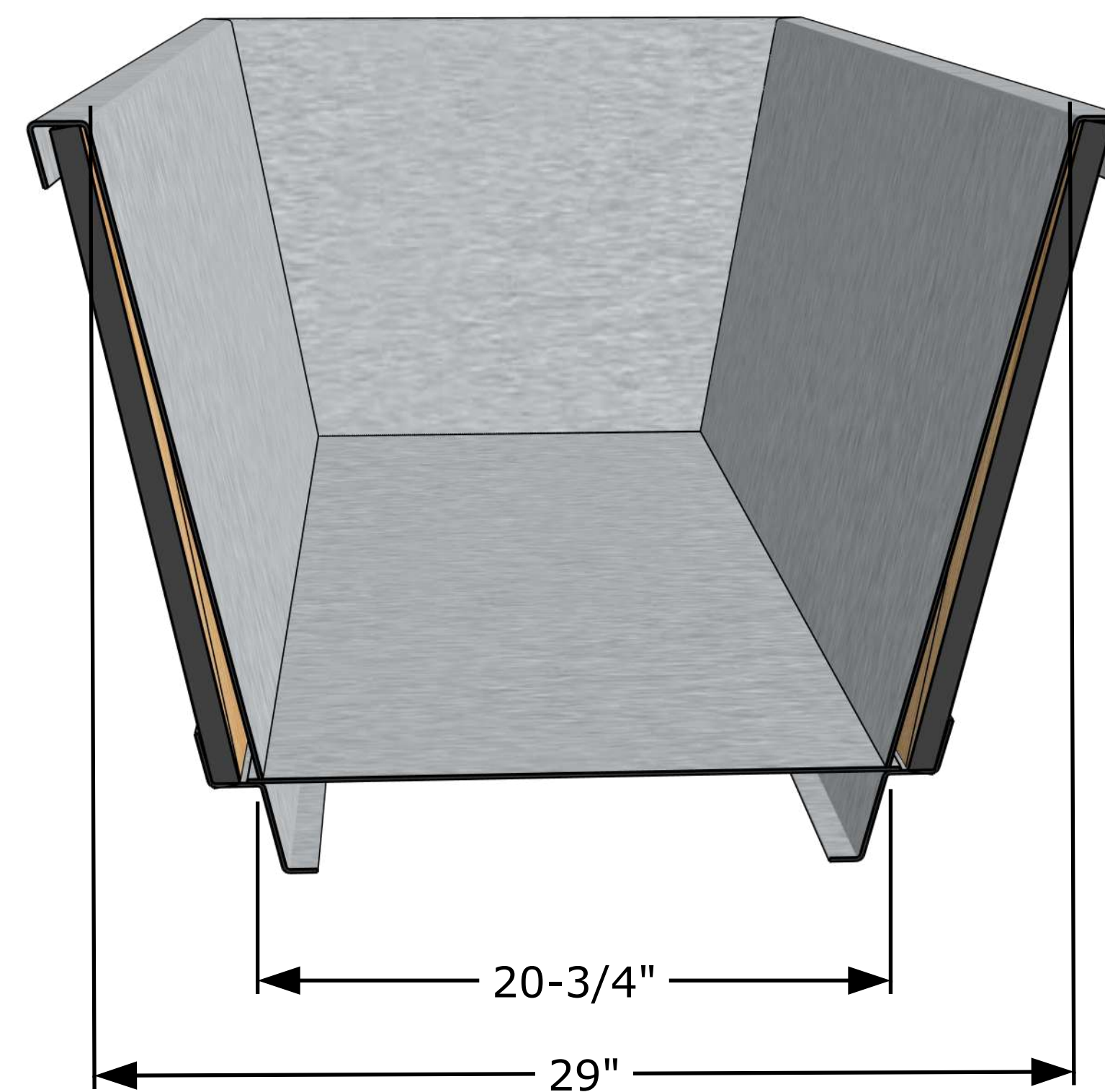


Line Material	HDPE Plastic OR Stainless Steel
Base & Floor	3/4" thick HDPE Plastic OR 11ga 304 Stainless
Upright liner walls	1/4" thick HDPE Plastic OR 11ga 304 Stainless
Wood Skirting on outside	1-3/8" thick cedar
Opening size for chiller and drain	3/4" NPT

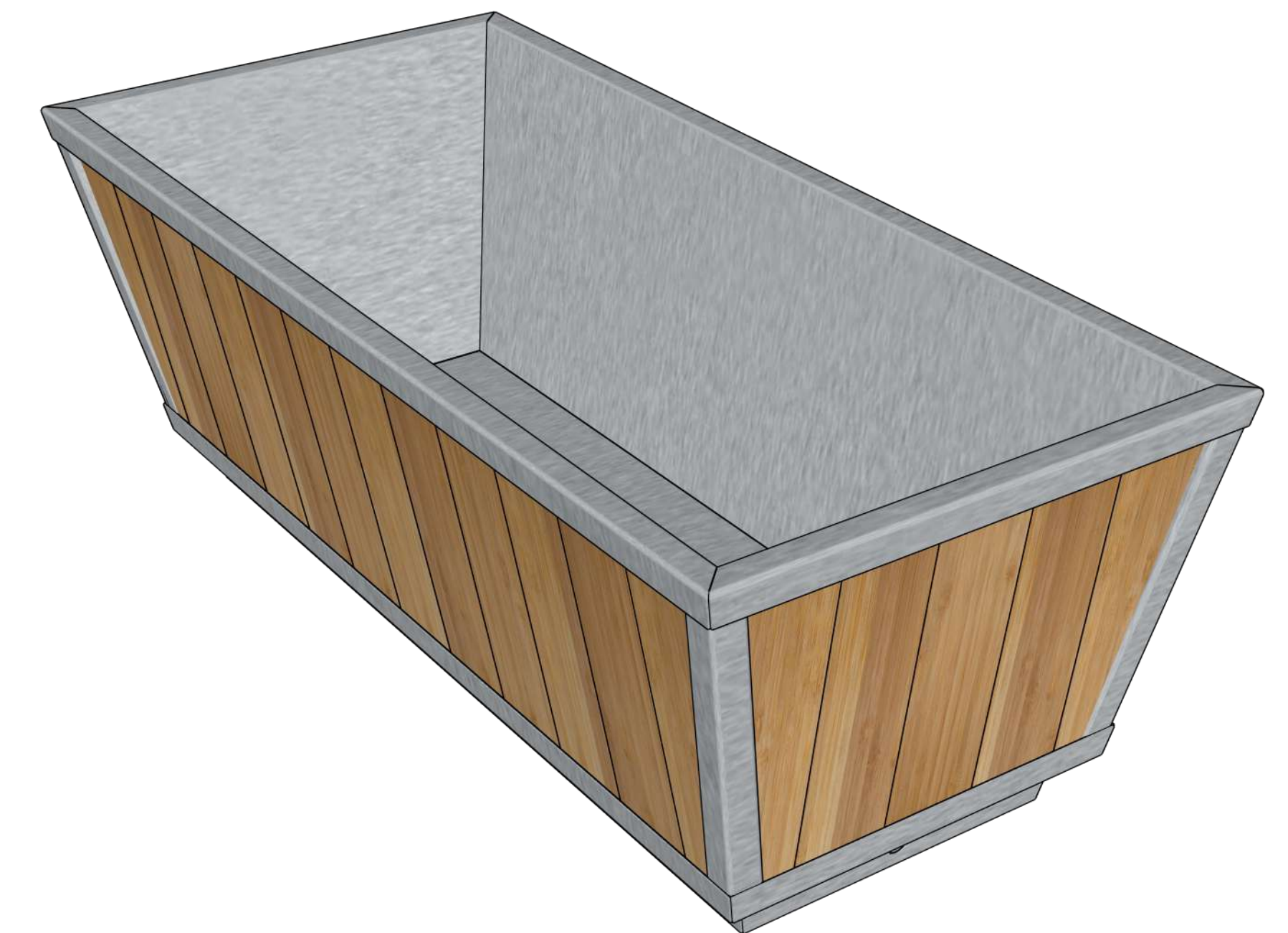
Side View



Cross Section View



Perspective View



The Glacier/Polar Plunge Tub Installation Instructions



Requirements:
Adjustable Wrench
Pipe Wrench
Thread Tape

[View the assembly process](#) 

The Glacier/Polar Plunge Tub Installation Instructions

Note:

All Plunge tubs come ready to go.

The only assembly required is to install the drain hardware and you are ready to fill with water and enjoy!

If an optional chiller is purchased, please follow the instructions for hooking the chiller to the plunge tub.

Drain Assembly



To start the installation of the Plunge Tub, Place the tub in the desired location.



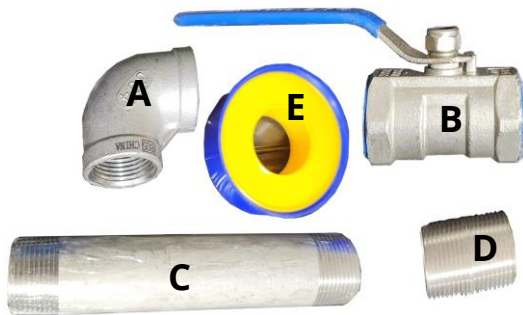
Once you have the tub in the desired location, gently flip the tub on its side.

You can put down a blanket or towel to protect the side of the tub.

Manufactured by:



The Glacier/Polar Plunge Tub Installation Instructions



Unpack the hardware for the chiller drain assembly.

- A - 90° Elbow
- B - ¾" Ball Valve
- C - 5" Long Nipple
- D - Short Nipple
- E - Thread Tape



Wrap 3 layers of thread tape around the threads on both ends of the short nipple.



Thread the short nipple into the drain hole from the bottom of the cold plunge tub.

This can be hand tight only at this time.



Screw the 90° elbow onto the short pipe.

Ensure it is tight and facing the hole in the frame on the side of the tub.

Manufactured by:



The Glacier/Polar Plunge Tub Installation Instructions



Wrap 3 layers of thread tape around the threads on both ends of the long nipple.



Thread the long piece of pipe into the elbow.
This can be hand tight only at this time.



Remove the plastic packaging and caps from the valve.



Screw the valve onto the end of the long nipple.
Using a pipe wrench or adjustable wrench, tighten the valve so the handle of the valve is facing in your desired position when tight.
This will also tighten the long adapter into the elbow.

Manufactured by:



The Glacier/Polar Plunge Tub Installation Instructions



Using a pipe wrench or adjustable wrench, tighten the garden hose connector (if ordered) onto the valve.

Congratulations!
Your Plunge Tub is now ready to be filled with water!
Enjoy!



If a Chiller Unit or any other accessories were ordered, proceed to the next steps.

Manufactured by:



tel: 888-923-9813 | info@leisurecraft.com | web: www.leisurecraft.com 5

The Glacier/Polar Plunge Tub Roll Up Cover Installation Instructions (Optional)



To install the roll up cover, secure the cover brackets onto the preferred end of the plunge tub and secure with 2 – 2 ½" (64mm) screws into each bracket.



Roll out the cover and align it to the edges of the tub.



Place a locking clasp onto one of the straps and pull it snug.

Once in desired position, remove the strap and secure the clasp with 2 – 1 ½" (38mm) screws.



Repeat the above process for the remaining 3 straps.

Manufactured by:



The Glacier/Polar Plunge Tub Roll Up Cover Installation Instructions (Optional)



Use the provided key to lock and unlock the clasps.



It is recommended to keep cover locked when not in use to prevent unauthorized access to the plunge tub.



To open the cover, unclasp the straps and roll up the cover to sit on the cover supports.

Manufactured by:





Warnings

- ❖ Consult with a medical professional to ensure you are medically fit prior to using your Leisurecraft plunge tub.
- ❖ It is important to you understand the relevant risks, seriousness of risks and potential consequences of using the tub, either with cold or hot water.
- ❖ As with any receptacle for water, there is the risk of drowning.
- ❖ It is the customers responsibility to ensure minors are always properly supervised in the tub and anyone who enters can safely stay above water.
- ❖ The plunge tub should never be used when impaired under any substance, which could affect your ability to remain awake, conscious and of a clear mind.
- ❖ With cold water, there is a risk of hypothermia and anyone using the tub should exercise extreme caution and sensible judgement to exit the tub before the onset of any complications.

Accidental Drowning

- ❖ To reduce the risk of injury, do not permit children to use this product unless closely supervised at all times.
- ❖ Risk of accidental drowning. Extreme caution must be exercised to prevent unauthorized access by children.
- ❖ Roll up cover is not a safety cover.

Health

- ❖ Elderly persons, pregnant women, infants and those with health conditions requiring medical care – especially cardiovascular and neurological- should consult with a physician before using this product.
- ❖ Do not use alone.
- ❖ Long exposure may result in hypothermia, nausea, dizziness or fainting.
- ❖ Do not exceed 5 minutes in cold or 30 minutes in hot water; excessive exposure may be harmful to your health.
- ❖ Always enter the tub slowly and cautiously. Wet surfaces may be slippery.

Manufactured by:





WARRANTY

Dundalk LeisureCraft Inc. warrants our Cold Plunge Tubs against defects in materials and workmanship under normal/residential use for a period of 5 (5) years, as applicable, from the date of receipt of the product by the original end-user consumer.

This warranty does not apply to normal wear and tear and/or natural weather conditions. This warranty does not cover misuse or negligence and the manufacturer and associated retailers are not liable for any injury or damage caused by the product.

This warranty is a parts only warranty and any service or labor costs would not be considered as part of the 5-year warranty.

Purchaser Name: _____ Date: _____

Purchased From: _____

Manufactured by:

